

Complete plans for 16 speaker systems

60c MAR. 1969

Radio-Electronics®

TELEVISION SERVICING • HIGH FIDELITY

SPEAKERS
ENCLOSURES
CROSSOVERS
 starts on page 32

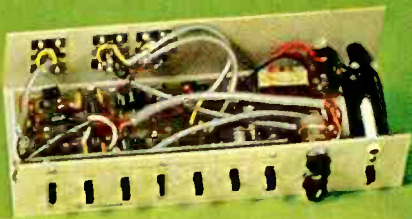
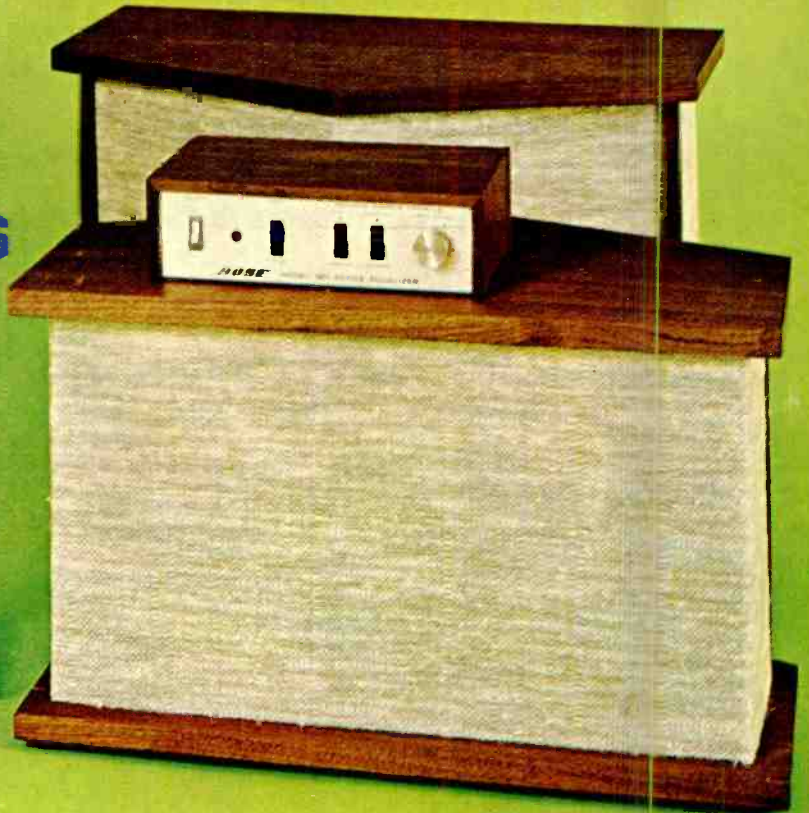
BUILD

Portable **IC** Stereo Phono

10 Emitter-Coupled Circuits

Color TV faults

with Nixies



561256 OLS B0245W97 DEC72 2 A
 03
 4
 W H DELSCHLAGER
 BX 245
 BRUNNS MILLS NJ 08015

A
GENRSBACK
 PUBLICATION

Color Power.

EICO gives you the most professional color power for your instrument dollar.



INTRODUCING THE VALUE LEADER IN BATTERY-OPERATED PORTABLE SOLID STATE COLOR GENERATORS — EICO 385!

Exclusive Features

- Compact "Tote-Easy" Design
- Computer-Type Circuitry
- Double Sided PC Board Construction
- Low Price

The versatile "go everywhere" EICO 385 solid state color generator, packaged in an exclusive compact portable/storage case, has been designed to furnish the service technician with five essential functions. The generated patterns are the standard offset carrier-type 10 color bars, precision dots, crosshatch, and an individual series of vertical and horizontal lines.

Advanced computer-type circuitry, coupled with three temperature compensated crystals, provides the drift-free stability inherent in this instrument. A multipurpose color-coded gun killer with its convenient socket-adaptor assembly, (no more fumbling) stores in the case. Clips directly to TV antenna terminals (fast & sure!).

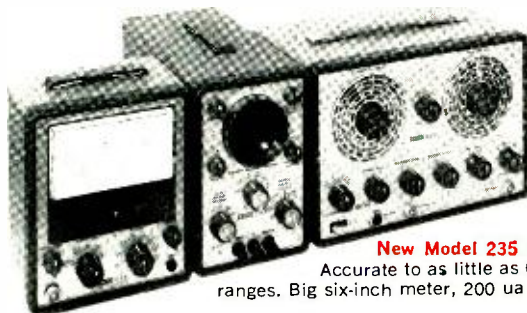
The EICO 385 is powered by six long-life "C" cells or the AC adaptor accessory. The economical package contains all you need to enable you to do a fast yet reliable job.

Easy-to-assemble Kit: **\$79.95**
Wired: \$109.95



EICO's complete Color TV Lab for the pro

Praised by the pros for laboratory precision at lowest cost



Model 369 Sweep/Marker Generator. For easiest, fastest visual alignment of color or b/w TV and FM RF and IF circuits. Five sweep ranges from 3-220 MHz. Four marker ranges from 2-225 MHz. Crystal marker oscillator. Post injection of markers. **\$99.95 Kit, \$149.95 wired.**

Model 435 Direct-Coupled Wideband Scope. Top-quality DC-4.5 MHz scope with 3" flat-face. CRT Zener calibrator: Outperforms 5" scopes, facilitates on-location color TV and other servicing. **\$119.95 Kit, \$169.95 wired.**

New Model 235 Professional VTVM. Designed especially for solid-state servicing. Accurate to as little as 0.01 volts on its 1/2-volt scale. RMS/p-p/DS/ohms in 7 overlapping ranges. Big six-inch meter, 200 ua movement. **\$49.95 Kit, \$69.95 wired.**



NEW EICO 633 Portable All-Solid-State CRT Tester and Rejuvenator. Rapidly tests and rejuvenates color as well as black and white picture tubes. Line adjustment control. 12 different filament voltages, individual voltages applied to two of the grids, accurate meter — all insure precise measurements. Continuity and leakage checked through transistorized VOM, read directly on meter. **\$69.95 Kit, \$99.95 wired.**



NEW EICO 635 Deluxe All-Purpose Portable Tube Tester. Thoroughly professional, full-range modern versatility. Tests all standard tubes and even the new decals, magnovals, 7-pin nuvistors, and popular TV picture tubes. "Take-it-anywhere" design expressed in a modern, rugged, scuff-proof, luggage case. Compact (4"H, 12 1/2"W, 9"D) and lightweight, 4 1/2 lbs. Quick, accurate, dependable and the price is modest. **\$44.95 Kit, \$69.95 wired.**



NEW EICO PSI-1 Solid-State Signal Injector Probe. Perfect for on-the-spot signal tracing in the field. Pen-size, self-powered, self-contained signal generator from 1,000 Hz with harmonics to 30 MHz. Ideal for trouble-shooting audio, IF & RF circuitry in any electronic equipment, transistorized or vacuum tube. Use it once — you'll never want to be without it! **\$5.95 Kit, \$9.95 wired.**



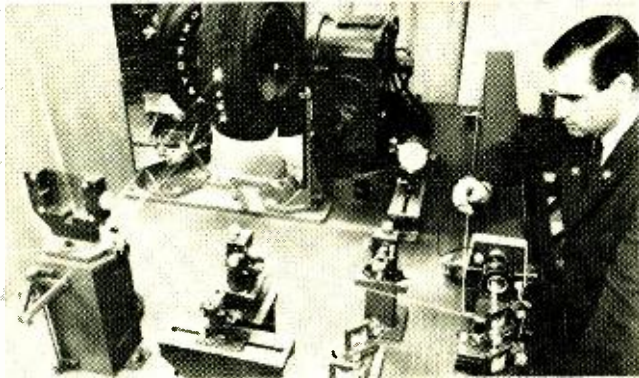
FREE 1969 CATALOG

EICO Electronic Instrument Co., Inc.
283 Malta Street, Brooklyn, N.Y. 11207
 Send me **FREE** catalog describing the full EICO line of 200 best buys, and name of nearest dealer.

Name _____
Address _____
City _____
State _____ Zip _____

Circle 8 on reader service card

LASER SPOTS TIRE DEFECTS



A blast from a laser beam may be used one day to test your tires for hidden defects. The setup in the photo is now used developmentally by Uniroyal, and plans call for using the nondestructive testing technique on costly aircraft tires. Less expensive versions may eventually be used at automobile service centers and for routine production-line tests.

The process combines three-dimensional laser photography — holography — and laser interferometry to spot tire flaws that can affect durability and performance. When a tire is inflated, these defects show up as concentric circles of light and shadow on a hologram transparency, since normal tire expansion is distributed evenly throughout the tire. Even if the defect is buried deep inside the tire, it stands out on the hologram as if it had been circled. The brief exposure to the laser does not damage tire rubber.

SOLID-STATE TV

Transistor characteristics demand special types of circuits for TV. Contributing Editor Matt Mandl keeps you up to date with the latest solid-state TV servicing tips. Don't miss his fact-filled article in this issue.

International Panel Backs Metric System

WASHINGTON, D.C.—An international four-member panel recently voiced strong support of the metric system at a recent 50th anniversary meeting of the USA Standards Institute. Only one panel member, Harry E. Cheseborough of SIMCA, opposed the change to metric units in this country, and he, too, felt

IN THIS ISSUE

Now you can fit both channels of a stereo amplifier into a phonograph tonearm. Ed Francis provides complete details on a battery-operated stereo phonograph using two IC's.

the change would eventually take place.

One panelist, Maryland Senator Claiborne Pell, said the change to the metric system would mean an increase of U.S. exports to metric-oriented markets of the world, and greater efficiency in our domestic economy.

A British representative indicated his country's change to the metric system has brought about cost savings, reduced trade barriers and cut design and drafting time. The opposing panelist felt that the changeover would result in confusion without substantially improving U.S. international trade.

NEW SENSOR 'HEARS' FOOTSTEP VIBRATIONS

Tred softly around this pocket-size security sensor. It was developed to detect vibrations from moving humans or vehicles up to 75 feet away and relay a warning to a distant monitor receiver. The electronic sensor, designed to prevent infiltration, can transmit a coded warning that



identifies its location from $\frac{1}{4}$ to 5 miles, depending on terrain. A signal-processing filter system discriminates low-frequency vibration sources to minimize false alarms from low-flying aircraft, thunder and other sources. GT&E's Sylvania built the device for military applications.

LOOKING AHEAD

By DAVID LACHENBRUCH
CONTRIBUTING EDITOR

TV's future directions

Three important Government documents are helping to spell out the future of television. They are the FCC's new "notice of inquiry" on cable TV, its authorization for nationwide pay TV, and the report of the President's Task Force on Telecommunications.

The FCC's proposed rules governing cable TV (CATV) may have been designed to make broadcasters and cable operators happy, as has been alleged, but they immediately came under attack from both factions. Cable operators were particularly perturbed, calling the proposed rules a "freeze" on construction of new systems. Here are the commission's major proposals:

1. Cable systems in the nation's 100 largest markets (New York is No. 1, Terre Haute No. 100) would be required to get permission of the originating stations to carry signals of any stations more than 35 miles away.

2. Systems in smaller markets could import signals without permission, but only to bring in programs of the three networks, one independent station and one educational station—and these must be the nearest stations of

(continued on page 4)

OPTO-ELECTRONIC TV?

Whatever form large, flat color TV displays take in coming years, it's unlikely they'll be CRT's. (See January 1969, RADIO-ELECTRONICS, p. 33.) To a growing list of display devices with potential possibilities for flat-screen TV is added an opto-electronic device developed at Sandia Corp. Like many of the new displays, this one requires an x-y addressing circuit to generate a point of light—unlike TV's continuous sweep raster.

This new solid-state tech-
(continued on page 6)

Radio-Electronics

March 1969 • Over 60 Years of Electronics Publishing

AUDIO-HIGH FIDELITY-STEREO

- Crossovers, Electrical or Electronic?** 32 Norman H. Crowhurst
Pros and cons for both approaches
- A New Approach to Speaker Design** 33 Eric Rosenfeld
Here's a system with no crossover at all
- How To Soup Up Low-Quality Speakers** 62 .. Charles Anthony
You can too make them sound better
- Equipment Report:** 68 ..Steven H. Leckerts
H. H. Scott LR-88 hi-fi receiver kit

BUILD SOME OF THESE

- You Can Build These 16 Speaker Enclosures** ... 44 ..Abraham B. Cohen
Complete plans and construction details
- IC Stereo Amplifier In A Phono Arm** 52 Ed Francis
Portable stereo goes anywhere
- Alphanumeric Fun Box With A Nixie** 56 ... Ken Greenberg
Learn while playing

TELEVISION

- In The Shop . . . With Jack** 16 Jack Darr
CRT boosters for color sets
- In-Circuit Testing Techniques** 41 ..Sylvania Technical Staff
Spot transistor faults fast
- Quick KO For Color TV Faults** 59 ... Matthew Mandl
Inside the high-voltage cage
- Service Clinic** 90 Jack Darr
Jack answers your questions

GENERAL ELECTRONICS

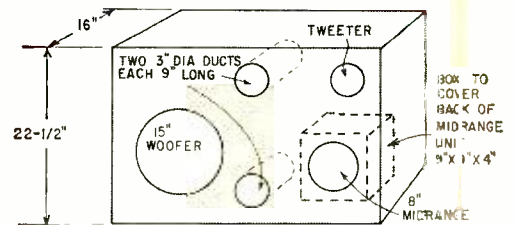
- Looking Ahead** 2 David Lachenbruch
Current happenings with future overtones
- Use The Wired Board Technique** 23 ... Robert E. Brock
Who says you must use a printed circuit?
- Experiment With 10 Emitter-Coupled Circuits** .. 37 Robert L. Petrowsky
Try these circuits today
- Equipment Report:** 74 John Free
Heathkit SB-310 shortwave receiver

DEPARTMENTS

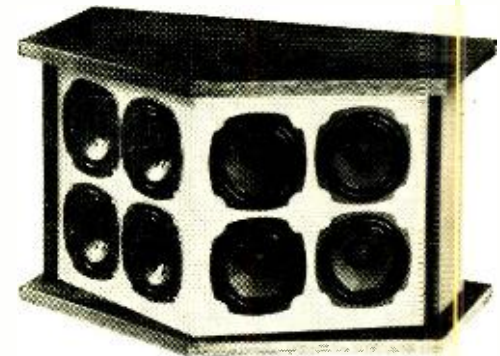
- | | | |
|------------------------|--------------------------------------|------------------------------|
| Correspondence14 | New Literature87 | Noteworthy Circuits 94 |
| New Books96 | New Products81 | Reader Service78 |
| New and Timely 2 | New Tubes and Semiconductors92 | Technotes77 |
| | | Try This One95 |



Portable stereo is a cinch. Just put two channels worth of IC amplifiers in the pickup arm. **see page 52**



Need a speaker system? Here are complete plans for 16 different versions. Try one soon. **see page 44**



No crossovers needed in this speaker system. See how and why it works. Full details by an expert. **see page 33**

On The Cover
Hanging out of the Radio-Electronics logo are two JVC spherical speakers. Directly below are the three parts of a Bose stereo speaker system. At the bottom right is an inside look at the C-M electronic crossover.

RADIO-ELECTRONICS, MARCH 1969, Vol. 41, No. 3
Published monthly by Gernsback Publications, Inc., at Ferry St., Concord, N. H. 03302
Editorial, Advertising, and Executive offices: 200 Park Ave. S., New York, N.Y. 10003. **Subscription Service: Boulder, Colo. 80302.**
Second-class postage paid at Concord, N. H. Printed in U.S.A. One-year subscription rate: U.S. and possessions, Canada, \$6.
Pan-American countries, \$7. Other countries, \$7.50. Single copies: 60c. ©1969, by Gernsback Publications, Inc. All rights reserved.
POSTMASTER: Notices of undelivered copies (Form 3579) to Boulder, Colo. 80302.



Member,
Institute of High Fidelity,
Radio-Electronics is **indexed in**
Applied Science & Technology
Index (formerly Industrial
Arts Index)

STRIKE IT RICH!



Model AMP-25/2

MATV DISTRIBUTION AMPLIFIER KIT for 75 Ohm Coax VHF Color/B&W TV



A gold mine waits for the man who can insure quality TV reception in fringe reception areas. Now it's easy for you to work that mine. Mosley's new MATV Distribution Amplifier Kit contains in one package all the components for a two-outlet amplified system. Simple system design. Easy installation. Loss factors already figured for you. Write Dept. 180 for details.

Mosley Electronics Inc. 4610 N. Lindbergh Blvd., Bridgeton Missouri 63042
Circle 9 on reader service card



**A good tip...
on how to
save up to
1/2 hour on
every delivery.**

FREE
Fill in,
clip out,
and
mail.

Please send me informative brochure on YEATS labor savers — no obligation

Name

Firm

Address

City

State Zip

YEATS APPLIANCE DOLLY SALES COMPANY
1301 W. Fond du Lac Avenue • Milwaukee, Wis. 53205

Circle 10 on reader service card

LOOKING AHEAD

(continued from page 2)

their kind available. If CATV systems wish to bring in more channels, they must get permission from the originating stations.

3. CATV systems would be required to originate one channel of their own programming—but *only* one channel (except for such "automatic" programming as news and stock tickers, weather channels and the like). The commission left open the question of whether cable systems should be permitted to sell advertising time.

The proposed rules would not affect any existing cable systems. The commission specifically said it had no intention of taking any service away from anyone now being served by CATV. Although the rules are only "proposed" and will be the subject of many legal filings, and probably hearings, the FCC put into effect "interim procedures" which make the rules at least temporarily applicable to all new cable systems—beginning immediately.

Although at first glance the rules appear mild enough, cable TV interests, through their National Community Television Association, immediately attacked them as "bringing to a halt the further expansion of CATV."

The sleeper in the FCC's proposals is the phrase, "permission of the originating station." Since stations don't own the copyrights of everything they broadcast—for example, feature films—the permission isn't theirs to give. Some communications lawyers, in fact, insist it would be illegal for them to give permission. Thus, the proposed rules would, quite likely, amount to a ban on the importation of signals from more than 35 miles away into major television markets.

In the meantime, Congress is wrestling with a new copyright law which would clarify the copyright liability of CATV systems for programs they relay. Until a law is passed, the whole "permission" situation—and what it means—is completely muddled.

The FCC also started an inquiry into the long-term future of cable TV, including such questions as whether the same cables into the home ultimately will be used for two-way computer information, facsimile newspapers and the like—and who should be permitted to own these cables.

The President's Task Force

At almost the same time that the FCC was issuing its proposed CATV rules, excerpts from the report of the blue-ribbon Communications Task Force named by ex-President Johnson were being made public. They seemed to conflict with the attitude of the FCC. The Task Force took the view that cable TV held the most promise for supplying the nation with a diversity of communications to and from the home.

Among the near-future capabilities of CATV, as envisioned by the Presidential panel, are employment services (help-wanted ads), literacy training, preschool programs, preventive health programs, adult education, classroom instruction, shopping information, places to dine, classified ads, amateur drama, and so forth. Cable TV's tremendous channel-handling capacity, at a relatively low cost per channel, the Task Force said, makes it the most potent future force in communicating with the home.

But the Task Force also took note of CATV's copyright problems, and said they should be resolved by Congress without delay.

(continued on page 12)

... a new, complete ICS course in TV Servicing that costs less than \$100.

With the first two texts, you can repair 70 percent of all TV troubles.

You need no previous experience to take this complete, practical course in TV Repairing.

You don't even have to know a vacuum tube from a resistor. Yet in a matter of months, you can be doing troubleshooting on color sets!

Course consists of 6 texts to bring you along quickly and easily. 936 pages of concise, easy-to-follow instruction, plus 329 detailed illustrations. You also receive a dictionary of TV terms geared directly to course material so you'll understand even the most technical terms. The dictionary will come in handy even after you've finished your course.

Instruction is simple, very easy to grasp. Photos show you what a TV screen looks like when everything is normal, and what it looks like when trouble fouls it up. The texts tell you how to remedy the problem, and why that remedy is best.

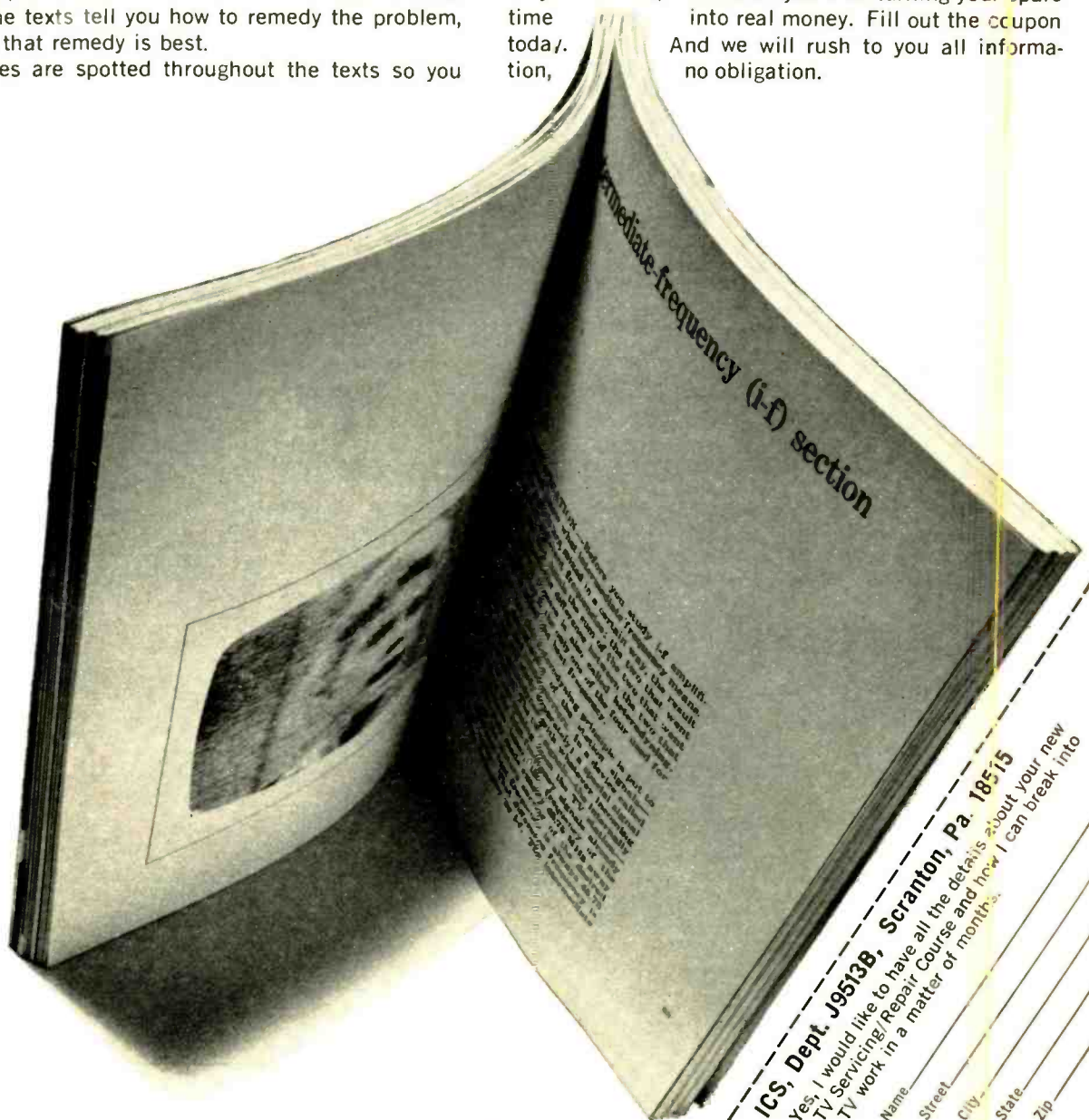
Quizzes are spotted throughout the texts so you

can check your progress. At the end of the course, you take a final examination. Then you get the coveted ICS® diploma, plus membership in the ICS TV Repairman Association.

By the time you've finished the course, you should be able to handle tough, multiple TV problems, on color sets as well as black and white.

This new TV Servicing and Repair Course has been approved by National Electronic Associations for use in their Apprenticeship program. Because of its completeness, practicality and price, it is the talk of the industry. The cost is less than \$100—just slightly over 1/2 the price of any comparable course on the market today. Remember, the sooner you get started on your course, the sooner you'll be turning your spare time into real money. Fill out the coupon today.

And we will rush to you all information, obligation.



ICS, Dept. J9513B, Scranton, Pa. 18515

Yes, I would like to have all the details about your new TV Servicing/Repair Course and how I can break into TV work in a matter of months.

Name _____
Street _____
City _____
State _____
Zip _____

Circle 11 on reader service card

OPTO-ELECTRONIC TV?

(continued from page 2)

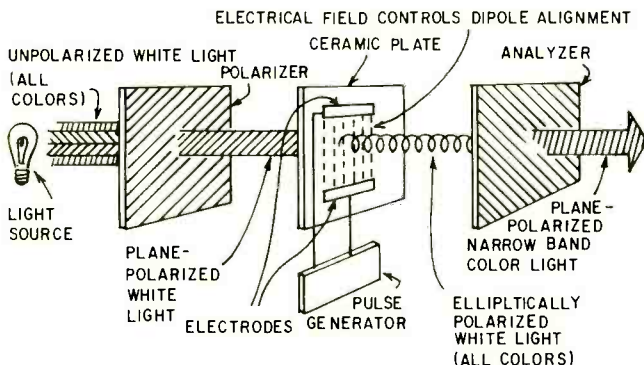
nique uses a three-element filter and a source of white light (see diagram). The light is filtered by the first polarizer so that it is traveling in a specific plane when it enters the center sheet. This element, the heart of the device, is a matrix of tiny transparent ceramic slices that can be individually addressed with voltage pulses. The material used is a ferroelectric ceramic (lead zirconate titanate), whose atomic dipoles can be rotated precisely with the appropriate applied voltage.

An electric field also causes this clear ceramic to become birefringent (objects appear double through it). This birefringence causes each wavelength of the plane-polarized light entering it to break into two wave planes—elliptically or helically polarized light. Specific colors or wavelengths of this light

PICK A SPEAKER
Looking for a hi-fi speaker? Why not build your own? We've got plans for 16 systems in this issue, with speaker price tags ranging from \$20 to a Rolls Royce setup for over \$300.

can then be selected by passing it through the last filter, the analyzer. The color of the resulting point of light will depend on how the polarized light is "twisted" as it passes through each ceramic slice.

So far, prototypes have contained only 100 ceramic cells deposited in $\frac{1}{8} \times \frac{1}{16}$ -inch area. Blue colors are weak, and a black spot has been unattainable. If higher cell densities are achieved, the technique may permit projecting displays on screens, much as slide projectors show 35mm transparencies. The device was described in the Nov. 14, 1968, *New Scientist*.



SEEING WITH SOUND

Optical holography is becoming more and more useful in industry and research, as you can see by the tire test described on these pages. Now researchers are also turning to acoustical holograms, made by replacing laser light beams with sound beams. Since sound waves penetrate matter better than do light waves, acoustical holography will permit "seeing" in 3D through liquids and solids.

A technique developed at Bendix Research Labs allows acoustical holograms to be made of moving objects. To record the sound waves, an arrangement similar to a TV camera is used, except a piezoelectrical plate is substituted for the optical, beam-scanning system in a TV camera CRT. Acoustic beams form an interference pattern on the outside of the piezoelectrical plate, and the pattern is converted to electrical pulses on the inside of the plate by a scanning beam. To reconstruct the image, the pattern is projected on a phosphorescent screen, photographed, and the original image reconstructed with laser light.

MORE COLOR IC's

Color TV circuits got a boost in reliability and a sharp cut in size with Zenith and



Motorola announcements of IC color demodulators.

Zenith's new IC, with a ceramic base and epoxy covering, plugs into a socket on 18 top-line sets (photo). The demodulator combines 19 transistors, 2 diodes and 24 resistors on a silicon chip less than $\frac{1}{16}$ -inch square.

The MC1325 is the IC device introduced by Motorola and was built for design flexibility. The R-Y : B-Y signal ratio, for example, can be modified by the addition of an external resistor.

LIMITS RAISED FOR SUPERCONDUCTIVITY

MURRAY HILL, N.J.—Transmission of large electrical currents over great distances through small-diameter cables came closer to economic reality with a recent development that has pushed

(continued on page 12)

Radio-Electronics

HUGO GERNSBACK (1884-1967)
founder

M. HARVEY GERNSBACK,
editor and publisher

LARRY STECKLER, managing editor

Robert F. Scott, W2PWG
senior technical editor

John R. Free, associate editor

Jack Darr, service editor

I. Queen, editorial associate

Matthew Mandl, contributing editor

David Lachenbruch, contributing editor

Carrie Ng, editorial assistant

Bruce Ward, production manager

Elizabeth Shincel, production assistant

G. Aliquo, circulation manager

Cover by Harry Schlack

RADIO-ELECTRONICS is published by Gernsback Publications, Inc. 200 Park Ave. South New York, N.Y. 10003 (212) 777-6400

President: M. Harvey Gernsback
Vice President-Secretary: G. Aliquo

ADVERTISING REPRESENTATIVES

EAST
John J. Lamson, Eastern Sales Mgr.

MIDWEST/N.&S. Car., Ga., Tenn.
Robert Pattis, the Bill Pattis Co.,
4761 West Touhy Ave.,
Lincolnwood, Ill. 60646
(312) 679-1100

W. COAST/Texas/Arkansas/Oklahoma
J. E. Publishers Representative Co.,
8380 Melrose Ave., Los Angeles,
Calif 90069, (213) 653-5841;
420 Market St. San Francisco, Calif.
94111, (415) 981-4527

UNITED KINGDOM
Publishing & Distributing Co., Ltd.,
Mitre House, 177 Regent St.,
London W.1, England
RE 6534.5

SUBSCRIPTION SERVICE: Send all subscription orders and correspondence to RADIO-ELECTRONICS, Subscription Department, Boulder, Colo. 80302.

MOVING? For change of address, allow six weeks, furnishing both the old and new addresses and if possible attaching label from a recent issue below. Otherwise please print clearly your name and address exactly as it appears on your label.

ATTACH LABEL HERE

name (please print)

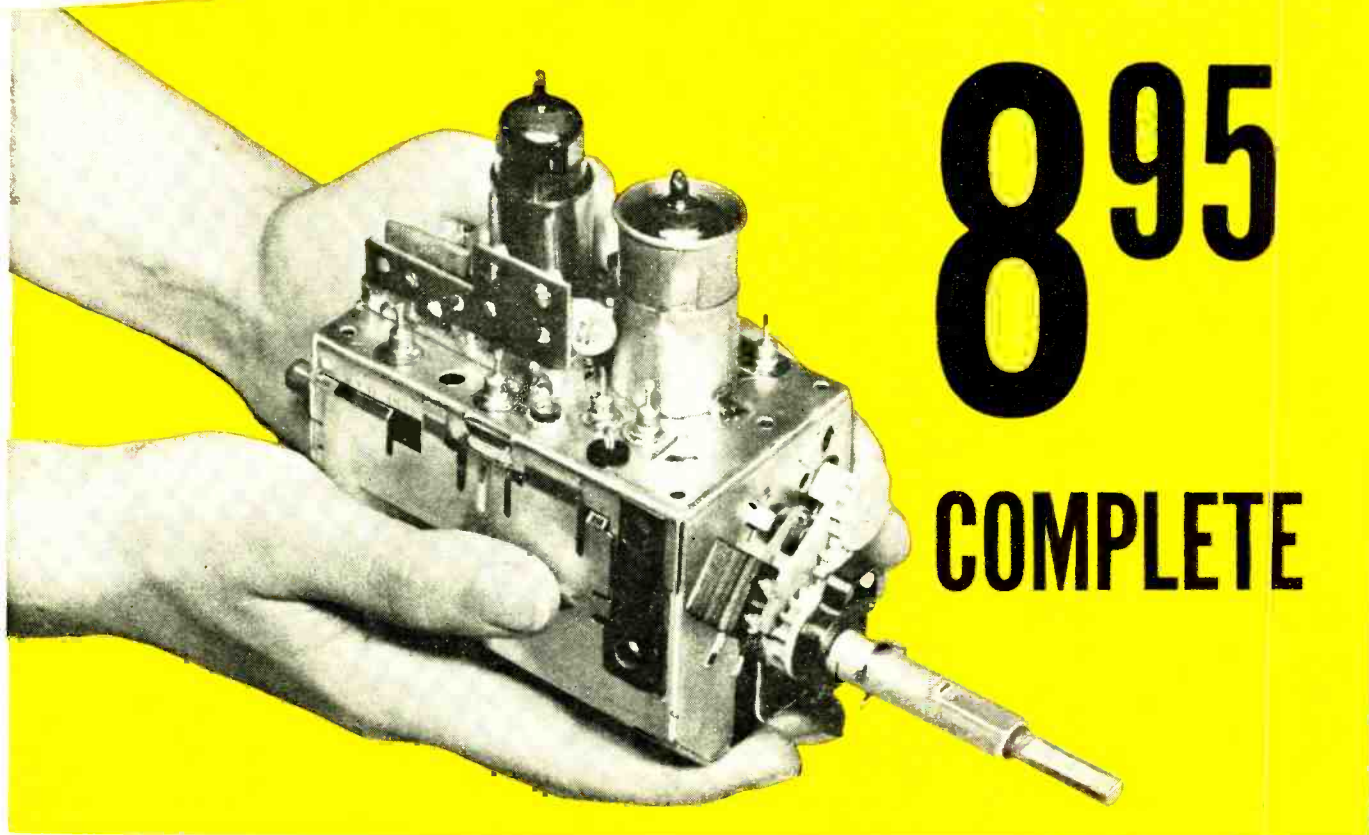
address

city

state

zip code

Mail to: RADIO-ELECTRONICS
SUBSCRIPTION DEPT., BOULDER, COLO. 80302



Castle, the pioneer of television tuner overhauling, offers the following services to solve ALL your television tuner problems.

● **OVERHAUL SERVICE** — All makes and models.

- VHF or UHF tuner \$9.95
- UHF-VHF combination (one piece chassis) \$9.95
- TRANSISTOR tuner \$9.95
- COLOR tuner \$9.95
(Guaranteed color alignment . . . no additional charge)

Overhaul includes parts, except tubes and transistors.

Simply send us the defective tuner complete; include tubes, shield cover and any damaged parts with model number and complaint. Your tuner will be expertly overhauled and returned promptly, performance restored, aligned to original standards and warranted for 90 days.

UV combination tuner must be single chassis type; dismantle tandem UHF and VHF tuners and send in the defective unit only.

And remember—for over a decade Castle has been the leader in this specialized field . . . your assurance of the best in TV tuner overhauling.

● **CUSTOM REPLACEMENTS**

Exact replacements are available for tuners that our inspection reveals are unfit for overhaul. As low as \$12.95 exchange. (Replacements are new or rebuilt.)

● **UNIVERSAL REPLACEMENTS**

Prefer to do it yourself?

Castle universal replacement tuners are available with the following specifications.

STOCK No.	HEATERS	SHAFT		I.F. OUTPUT		PRICE
		Min.*	Max.*	Snd.	Pic.	
CR6P	Parallel 6.3v	1¾"	3"	41.25	45.75	8.95
CR7S	Series 600mA	1¾"	3"	41.25	45.75	9.50
CR9S	Series 450mA	1¾"	3"	41.25	45.75	9.50
CR6XL	Parallel 6.3v	2½"	12"	41.25	45.75	10.45
CR7XL	Series 600mA	2½"	12"	41.25	45.75	11.00
CR9XL	Series 450mA	2½"	12"	41.25	45.75	11.00

*Selector shaft length measured from tuner front apron to extreme tip of shaft.

These Castle replacement tuners are all equipped with memory fine tuning, UHF position with plug input for UHF tuner, rear shaft extension and switch for remote control motor drive . . . they come complete with hardware and component kit to adapt for use in thousands of popular TV receivers.

Order universal replacements out of Main Plant (Chicago) only.



CASTLE TV TUNER SERVICE, INC.

MAIN PLANT: 5715 N. Western Ave., Chicago, Illinois 60645

EAST: 41-96 Vernon Blvd., Long Island City, N.Y. 11101

Circle 12 on reader service card



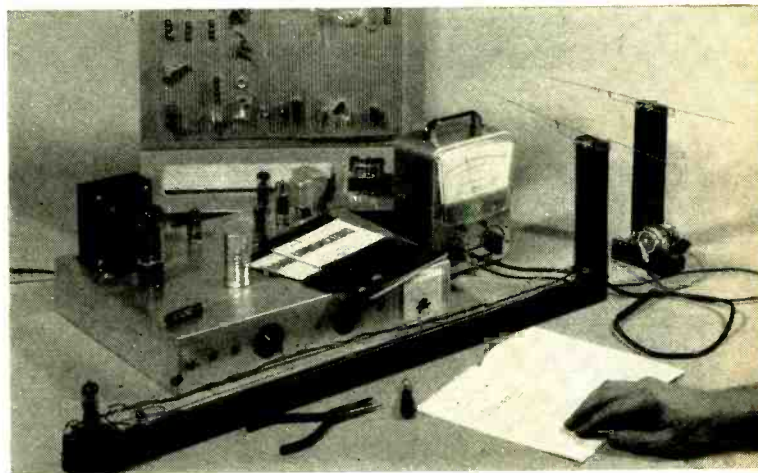
firsts

make learning
Electronics at home
fast and fascinating—
give you priceless
confidence.

Some NRI **firsts** in training equipment



first to give you Color Television training equipment engineered specifically for education—built to fit NRI instructional material, *not* a do-it-yourself hobby kit. The end product is a superb Color TV receiver that will give you and your family years of pleasure. You “open up and explore” the functions of each color circuit as you build.



first to give you transmission lines and antenna systems that include experiments not otherwise attempted outside of college physics laboratories. The experience gained with this kind of Communications training equipment is matched only by months—sometimes years—of on-the-job experience.

NRI's "discovery" method is the result of over half a century of leadership simplifying and dramatizing training at home

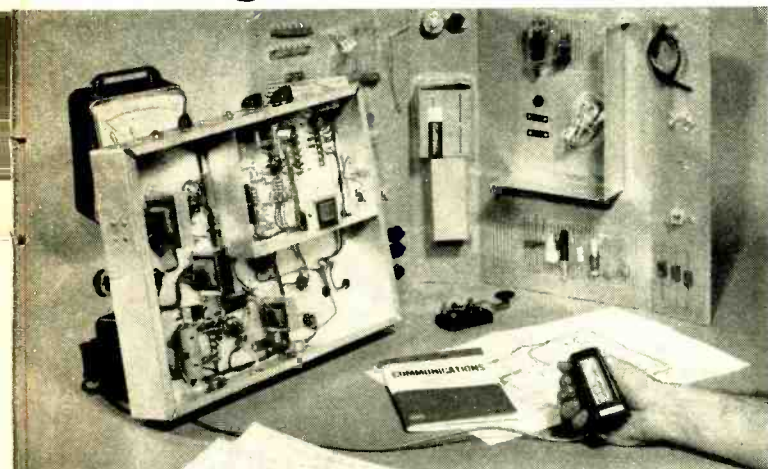
The FIRSTS described below are typical of NRI's half century of leadership in Electronics home training. When you enroll as an NRI student, you can be sure of gaining the in-demand technical knowledge and the priceless confidence of "hands-on" experience sought by employers in Communications, Television-Radio Servicing and Industrial and Military Electronics. Everything about NRI training is designed for your education . . . from the much-copied, educator-acclaimed Achievement Kit sent the day you enroll, to "bite-size" well-illustrated, easy to read texts programmed with designed-for-learning training equipment.

YOU GET YOUR FCC LICENSE OR YOUR MONEY BACK

There is no end of opportunity for the trained man in Electronics. You can earn \$6 or more an hour in spare time, have a business of your own or qualify quickly for career positions in business, industry, government. And if you enroll for any of five NRI courses in Communications, NRI prepares you for your FCC License exams. *You must pass* or NRI refunds your tuition in full. No school offers a more liberal money-back agreement. The full story about NRI leadership in Electronics training is in the new NRI Catalog. Mail postage-free card today. No salesman is going to call.
NATIONAL RADIO INSTITUTE, Washington, D.C. 20016

APPROVED UNDER NEW GI BILL If you have served since January 31, 1955, or are in service, check GI line on postage-free card.

designed from chassis up for your education



first to give you true-to-life experiences as a communications technician. Every fascinating step you take in NRI Communications training, including circuit analysis of your own 25-watt, phone/cw transmitter, is engineered to help you prove theory and later apply it on the job. Studio equipment operation and troubleshooting become a matter of easily remembered logic.

first to give you completely specialized training kits engineered for business, industrial and military Electronics. Shown above is your own training center in solid state motor control and analog computer servo-mechanisms. Telemetry circuits, solid-state multi-vibrators, and problem-solving digital computer circuits are also included in your course.

Weller®

...the soldering tools
professionals depend on



The original Dual Heat Soldering Guns

Preferred by technicians for their fast heating copper tips, exclusive trigger-controlled dual heat, and high soldering efficiency. Available in 3 watt-age sizes, each with spotlight.

100/140-watt Model 8200, 145/210-watt Model D-440, and 240/325-watt Model D-550. Also in complete kits:



Utility Kit includes Weller 100/140 watt gun, extra tips, tip-changing wrench, flux brush, soldering aid and solder. **Model 8200PK**



Heavy-Duty Kit features Weller 240/325 watt gun with soldering, cutting and smoothing tips, wrench and solder. **Model D-550PK**

Dependable MARKSMAN Irons in a size for every job



Ideal for deep chassis work and continuous-duty soldering, Marksmann irons outperform others of comparable size and weight. All five feature long-reach stainless steel barrels and replaceable tips.

- 25-watt, 1¾-oz. Model SP-23 with 1/8" tip (In kit with extra tips, soldering aid, solder—Model SP-23K)
- 40-watt, 2-oz. Model SP-40 with 1/4" tip
- 80-watt, 4-oz. Model SP-80 with 3/8" tip
- 120-watt, 10-oz. Model SP-120 with 1/2" tip
- 175-watt, 16-oz. Model SP-175 with 5/8" tip

Complete Weller Line includes replacement tips and solder

WELLER ELECTRIC CORPORATION, Easton, Pa.

WORLD LEADER IN SOLDERING TOOLS

Circle 14 on reader service card

LOOKING AHEAD

(continued from page 4)

—and pay TV

Ten years ago it would have made big waves. But when the FCC ended 15 years of deliberation by finally approving a nationwide system of pay TV, it created scarcely a ripple. Perhaps this was because every experimental pay-TV system so far has thrown in the sponge—the latest being the Zenith-RKO project in Hartford, Conn., which died Jan. 31, 1968.

Perhaps, too, it is because of the careful restrictions the commission placed on the see-for-a-fee operations it will permit. These circumscriptions, designed to protect conventional free TV, include:

1. The limiting of pay-TV operations to areas served by five or more stations, and then limiting pay operations to only one station in each area. Under these conditions, there would be a maximum of only 89 areas in the United States which could qualify for pay-TV stations.

2. Movies shown on pay TV, with a few exceptions, must be less than 2 years old.

3. Live sports events of the type shown on free TV within the preceding 2 years may not be shown—with the exception of events normally blacked out in a particular area, such as professional football games in the home team's area.

4. Series programs with regular casts are barred.

5. No commercials may be shown during pay programs.

6. Pay-TV stations must also offer free programs at least 28 hours weekly.

7. At least 10 percent of a station's annual pay-TV programming must be devoted to material other than movies and sports.

The FCC withheld judgment on whether it would permit pay TV via cable, but asked the public's views on the subject, in preparation for a future determination.

The Zenith-RKO experimental pay system in Hartford, meanwhile, was shut down after 6½ years—for several reasons, including the necessity of developing pay-TV decoders which will work with color programming. The station has now reverted to its regular free commercial TV operation. **R-E**

SUPERCONDUCTIVITY

(continued from page 6)

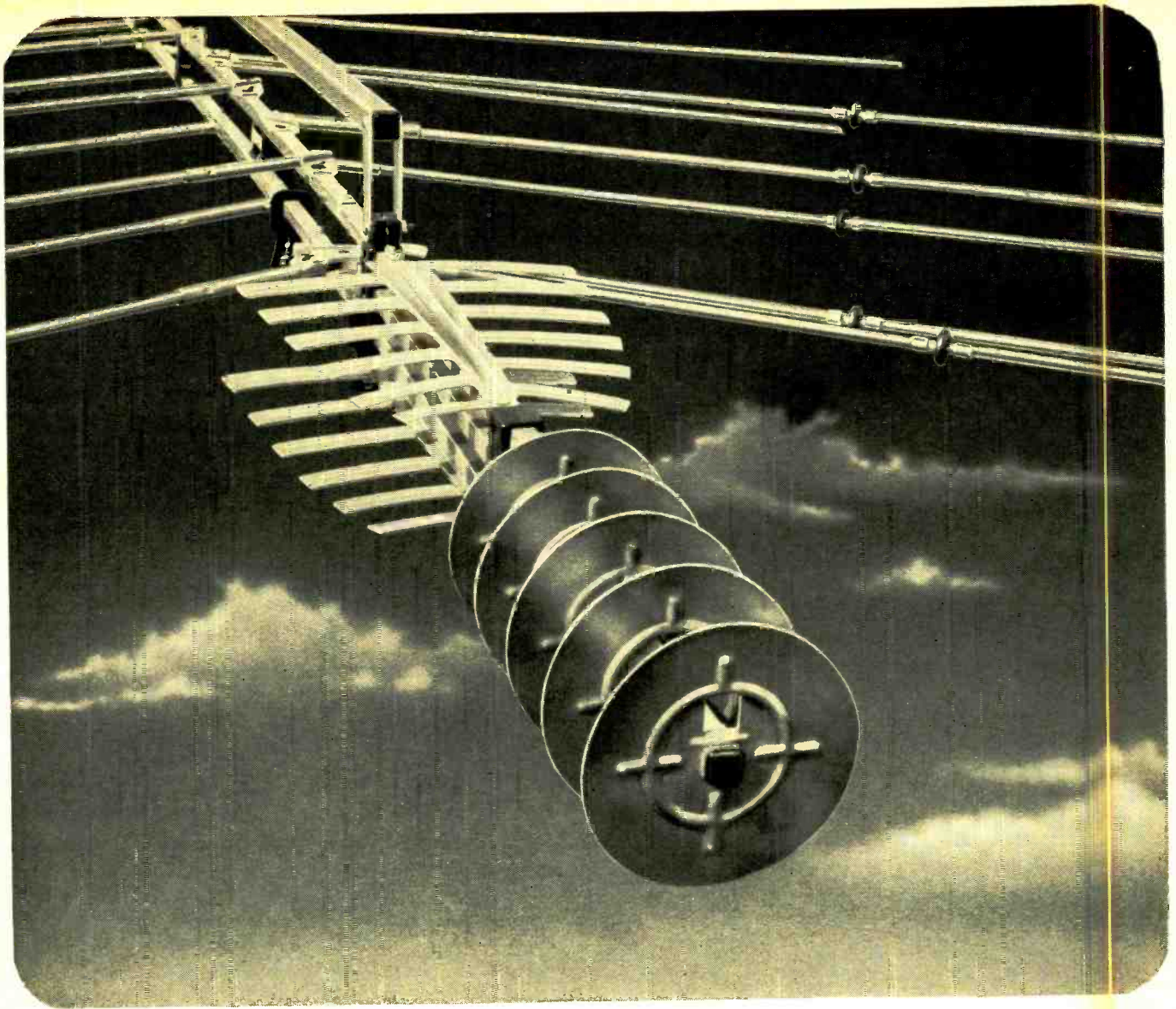
the temperature for superconductivity to above 20.7°K. (Zero degrees K or Kelvin represents the total absence of heat, an equivalent to —460°F.) When superconductivity occurs, materials lose all resistance to the passage of electric current.

Bell Labs scientist B. T. Matthias and co-workers raised the superconductivity level with a metallic combination of niobium, aluminum and germanium.

The earlier upper limit for superconductivity was

thought to be 18°K. Now that this limit has been raised to 20.7°K, it is possible to use inexpensive liquid hydrogen to achieve superconductivity instead of the much more expensive liquid helium. The boiling point of liquid helium is 4°K whereas liquid hydrogen boils at about 20°K.

The new materials may also make it possible to produce magnetic fields with densities higher than those already achieved through superconductivity. In 1961 a 100,000-gauss field was produced with a niobium-tin alloy at Bell Labs. **R-E**



There is a difference.

When our engineers designed our LPV Log Periodic antennas, they added something that made our antennas really different:

1. Patented capacitor-coupled log periodic-V dipoles that operate on both the fundamental *and harmonic* modes for higher gain and front-to-back ratios than other VHF antennas with more elements.

2. Log Periodic trapezoid drivers for amazingly high (but uniform) frequency response on all UHF channels.

3. Radar-type disc-on-rod director system that vastly increases signal capture across entire UHF band. Rejects multi-path reflections.

Is it any wonder JFD Color Laser and LPV Log Periodic TV antennas outperform antennas larger in size and number of elements?

Is it any wonder why professional installers who count on antenna gain (not the element numbers game) prefer JFD — the *scientifically* designed antenna with the college education?

Call your JFD distributor and see the difference in spectacular color and black-and-white.

And while you're at it, ask him about our versatile new solid state Program Center amplifier-distribution systems.

JFD[®]

LICENSED UNDER ONE OR MORE OF U.S. PATENTS 2,958,081; 2,985,874; 3,011,168; 3,108,280; 3,150,376; 3,210,767; RE 25,740 AND ADDITIONAL PATENTS PENDING IN U.S.A. AND CANADA. PRODUCED BY JFD ELECTRONICS CO. UNDER LICENSE FROM THE UNIVERSITY OF ILLINOIS FOUNDATION.

LICENSED UNDER ONE OR MORE OF U.S. PATENTS 2,955,287 AND 3,015,811 AND ADDITIONAL PATENTS PENDING.

JFD ELECTRONICS CORP.
15th Avenue at 62nd Street, Brooklyn, N. Y. 11219

JFD International, 64-14 Woodside Ave., Woodside, N. Y. 11377 JFD Canada, Ltd., Toronto, Ontario, Canada
JFD de Venezuela, S.A., Avenida Los Haticos 125-97, Maracaibo, Venezuela

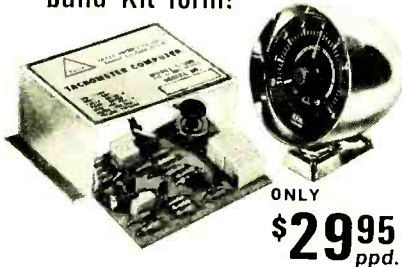
Circle 18 on reader service card

Delta Launches the **COMPUTACH**[®]*



**The
Great
One!**

*An exclusive computer-tachometer for precise RPM measurement in easy-to-build Kit form!



ONLY
\$29.95
ppd.

Delta, pioneers in CD ignition who produced the fabulous MARK TEN[®], now offer a precise computer-tachometer which obsoletes any type tachometer on the market today! You achieve unbelievable accuracy in RPM readings due to the advanced, solid-state electronic matched components used in the computer, coupled with the finest precision meter in the world. Works on all 2, 3, 4, and 6 cylinder 2 cycle and with 4-6-8 cylinder—4 cycle 12 volt engines.

- ▲ 0-8000 RPM range
- ▲ Perfect linearity — zero parallax
- ▲ Adjustable set pointer
- ▲ Wide angle needle sweep
- ▲ Translucent illuminated dial
- ▲ Chrome plated die-cast housing
- ▲ All-angle ball & socket mounting
- ▲ Use it with ANY ignition system
- ▲ Meter: 3 1/8" dia. X 3 3/8" deep
- ▲ Calibration kit included, no test eqpt. needed.

Orders shipped promptly.
Satisfaction guaranteed.

DELTA PRODUCTS, INC.

Send check today!

P.O. Box 1147 RE / Grand Junction, Colo. 81501
Enclosed is \$ _____ □ Ship ppd. □ Ship C.O.D.
Please send:

COMPUTACH[®] Kits @ \$29.95 ppd
Sold in Kit Form ONLY!

Name _____
Address _____
City/State _____ Zip _____

Circle 19 on reader service card

In the Shop . . . With Jack

By **JACK DARR**
SERVICE EDITOR

HOW TO SAVE COLOR CRTS

ONE OF THE HEART-BREAKING THINGS in color TV is the set which shows an odd-looking picture, with flesh tones a peculiar reddish tint, and a mess of other colors. If you turn the color control off, out goes the whole picture! There is obviously no video (Y) signal present—only the color.

Alternate symptom: screen is too reddish (bluish, greenish) on black-and-white, and this color can't be turned down. One gun is obviously running wide open—lots of speed but no control. It is biased full on and you can't cut it off with the normal controls.

This indicates one possible trouble: a heater-cathode short in one gun of the picture tube. To make sure, check it with a good color CRT tester. (There are certain chassis troubles

that can imitate the same symptoms.)

Practically all color sets use a biased heater (Fig. 1). About 150 volts dc is taken from the B+ supply and applied to the color picture



LCG-388

15 patterns!

Color Bar Pattern Generator

Pattern appears instantly when turned on, and has laboratory standard stability. Only 3 1/8 x 7 3/4 x 7 3/4, and weighs about 4 1/2 lbs.

- Crystal controlled oscillator.
- Flipflop and logic circuitry assure highest operating stability
- One receiver input to TV antenna
- Two selectable TV channels
- Chroma level control — 0 to 200%
- Horizontal line flickering prevented by progressive scanning
- Video output
- Gun killers for convergence adjustments
- Trigger output for scope synchronization

ONLY \$149

**LEADER
INSTRUMENTS CORP.**

24-20 Jackson Avenue
Long Island City, New York
(212) 729-7410

Circle 20 on reader service card

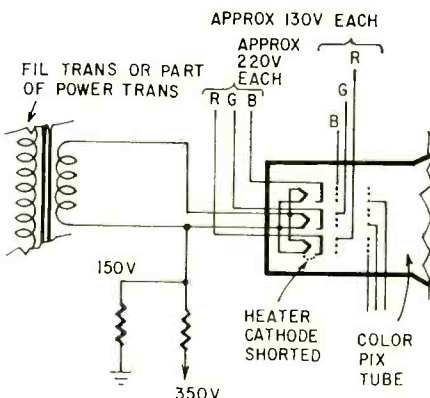


Fig. 1—Biased heater typically used in color CRT's operates from B+ supply.

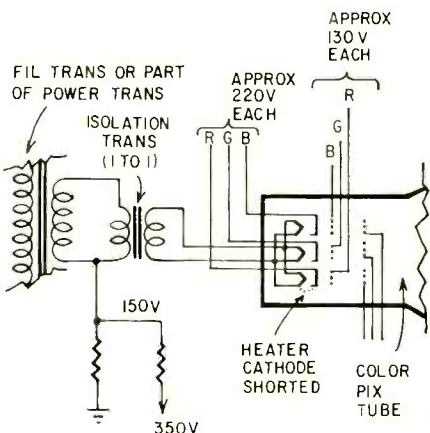


Fig. 2—Heater-to-cathode short (above) can be isolated with a 1:1 transformer.

Solve 95% of all your solid state replacement problems with this little box.



Take 24 of the most likely to be replaced solid state parts. Diodes, transistors, color focus rectifier, boost rectifier and the like.

Put them in a box. A little box. (That will fit easily into your big box.)

Add a cross reference guide that shows the Sylvania equivalent of a non-Sylvania component.

Put them all together and what do you have? Sylvania's Solid State Replacement Kit. It can replace more than 10,000 JEDEC types and set manufacturers' part numbers.

And it's a lot neater.

SYLVANIA
A DIVISION OF
GENERAL TELEPHONE & ELECTRONICS

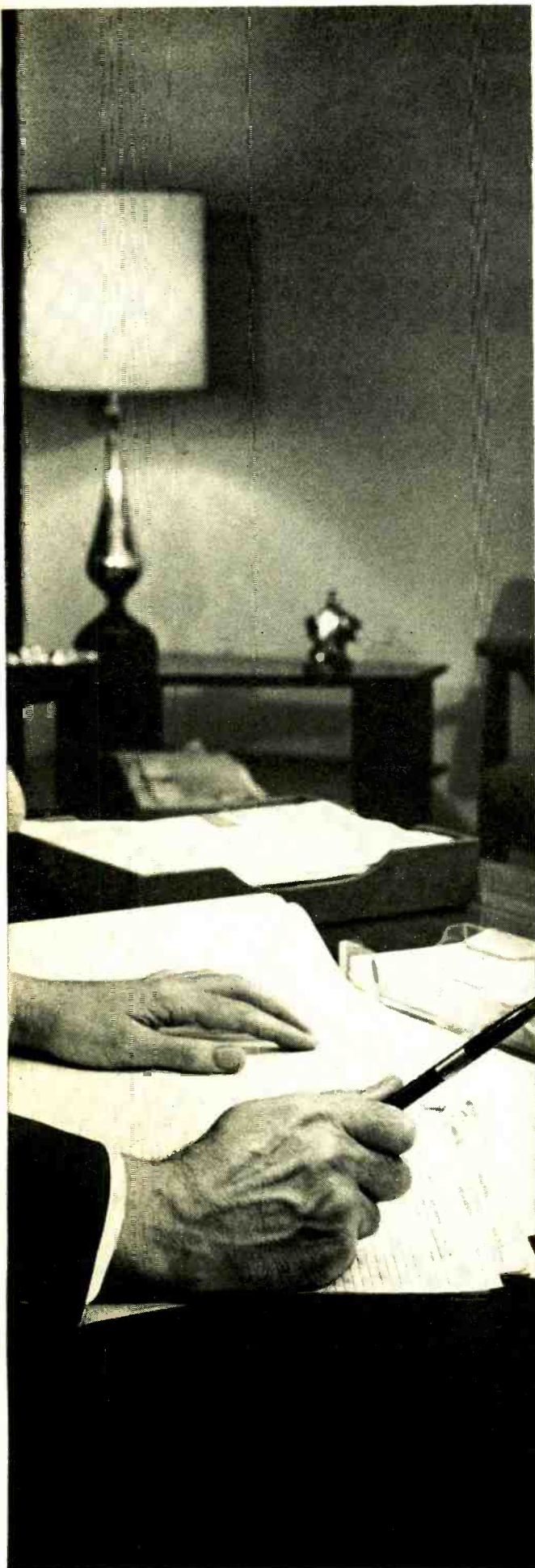
For more information about the ECG-303 contact your Sylvania distributor or write Sylvania, CADD, 1100 Main Street, Buffalo, New York 14209.

Circle 21 on reader service card

**“Get more
education
or
get out of
electronics
...that’s my advice.”**



NEW!
Expanded
coverage of
solid state
electronics
including
integrated
circuits!



Ask any man who really knows the electronics industry.

Opportunities are few for men without advanced technical education. If you stay on that level, you'll never make much money. And you'll be among the first to go in a layoff.

But, if you supplement your experience with more education in electronics, you can become a specialist. You'll enjoy good income and excellent security. You won't have to worry about automation or advances in technology putting you out of a job.

How can you get the additional education you must have to protect your future—and the future of those who depend on you? Going back to school isn't easy for a man with a job and family obligations.

CREI Home Study Programs offer you a practical way to get more education without going back to school. You study at home, at your own pace, on your own schedule. And you study with the assurance that what you learn can be applied on the job immediately to make you worth more money to your employer.

You're eligible for a CREI Program if you work in electronics and have a high school education. Our FREE book gives complete information. Mail postpaid card for your copy. If card is detached, use coupon below or write: CREI, Dept. 1403H, 3224 Sixteenth Street, N.W., Washington, D.C. 20010.

Founded 1927



Accredited Member of the National Home Study Council



**CREI, Home Study Division
McGraw-Hill Book Company
Dept. 1403H, 3224 Sixteenth Street, N.W.
Washington, D.C. 20010**

Please send me FREE book describing CREI Programs. I am employed in electronics and have a high school education.

NAME _____ AGE _____

ADDRESS _____

CITY _____ STATE _____ ZIP CODE _____

EMPLOYED BY _____

TYPE OF PRESENT WORK _____ G.I. BILL

- I am interested in Electronic Engineering Technology
 Space Electronics Nuclear Engineering Technology
 NEW! Digital Communications

APPROVED FOR TRAINING UNDER NEW G.I. BILL

**FAR
SUPERIOR
TO
ANY
VTVM
OR
VOM**

**--and
for
less
money
only
\$69.95**



Isolation transformer by Perma-Power.

tube heaters and the h-v regulator (if it's a shunt regulator like a 6BK4, etc). This reduces the voltage stress between the heater and cathode to prevent this kind of short. The B+ supply has a very low impedance to ground, and the video signal is bypassed to ground through the filter capacitors.

With a heater-cathode short identified, we can forget this bias. The trouble has already happened.

It is NOT a good idea to try blowing this type of short out with the rejuvenate function of the picture-tube tester. Other interelement shorts, yes. These are usually "particle" shorts, where a flake of material has gotten between two other elements. But a heater-cathode short could be due to a fracture of the heater's ceramic insulation, which could let the heater coil touch the cathode cylinder. Applying a shooting voltage to this just might blow out the heater!

There's a much simpler way to get rid of this short and save the picture tube. If you can isolate the shorted heater, you'll save the video. This can be done by adding a small 1:1 isolation transformer (Fig. 2). These look exactly like the familiar picture-tube brighteners, but they aren't. They do not raise the heater voltage, since in most cases this isn't necessary. They simply isolate the heater from the ground.

A typical unit is shown in the photo. This is installed just like a brightener by putting it between the picture-tube base and socket. The transformer shown is made for older 70° round tubes. Rectangular-tube units, with the small base, are available for the same price. Since this is something like 1/28th the cost of a new picture tube, the set owner is getting a real bargain.

R-E

NEW FIELD EFFECT MULTIMETER

Here is the revolutionary new approach to circuit testing, the solid state Sencore FIELD EFFECT METER. This FE14 combines the advantages of a VTVM and the portability and versatility of a VOM into a single low-cost instrument. This is all made possible by the use of the new space age field effect transistor that is instant in action but operates like a vacuum tube in loading characteristics. Compare the features of the FIELD EFFECT METER to your VTVM or VOM.

Minimum circuit loading — 15 megohm input impedance on DC is better than a VTVM and up to 750 times better than a 20,000 ohm per volt VOM — 10 megohm input impedance on AC is 20 times better than a standard VTVM. The FIELD EFFECT METER is constant on all ranges, not like a VOM that changes loading with each range.

Seven AC peak-to-peak ranges with frequency response to 10MHz. Seven zero center scales down to 0.5 volt. Five ohmeter ranges to 1000 megohms. DC current measurements to 1 ampere. Full meter and circuit protection. Mirrored scale. Low current drain on batteries — less than 2 milliamps. Built-in battery check. Unbreakable all-steel vinyl clad case. Optional Hi-Voltage probe adds 3KV, 10KV and 30KV ranges with minimum circuit loading for greatest accuracy in the industry... \$9.95.



FE16 HI-ACCURACY FIELD EFFECT METER.

All of above features, plus unmatched accuracy — 1.5% on DC, 3% on AC. High-style meter, knobs, and special meter-tilting handle. **\$84.50.**



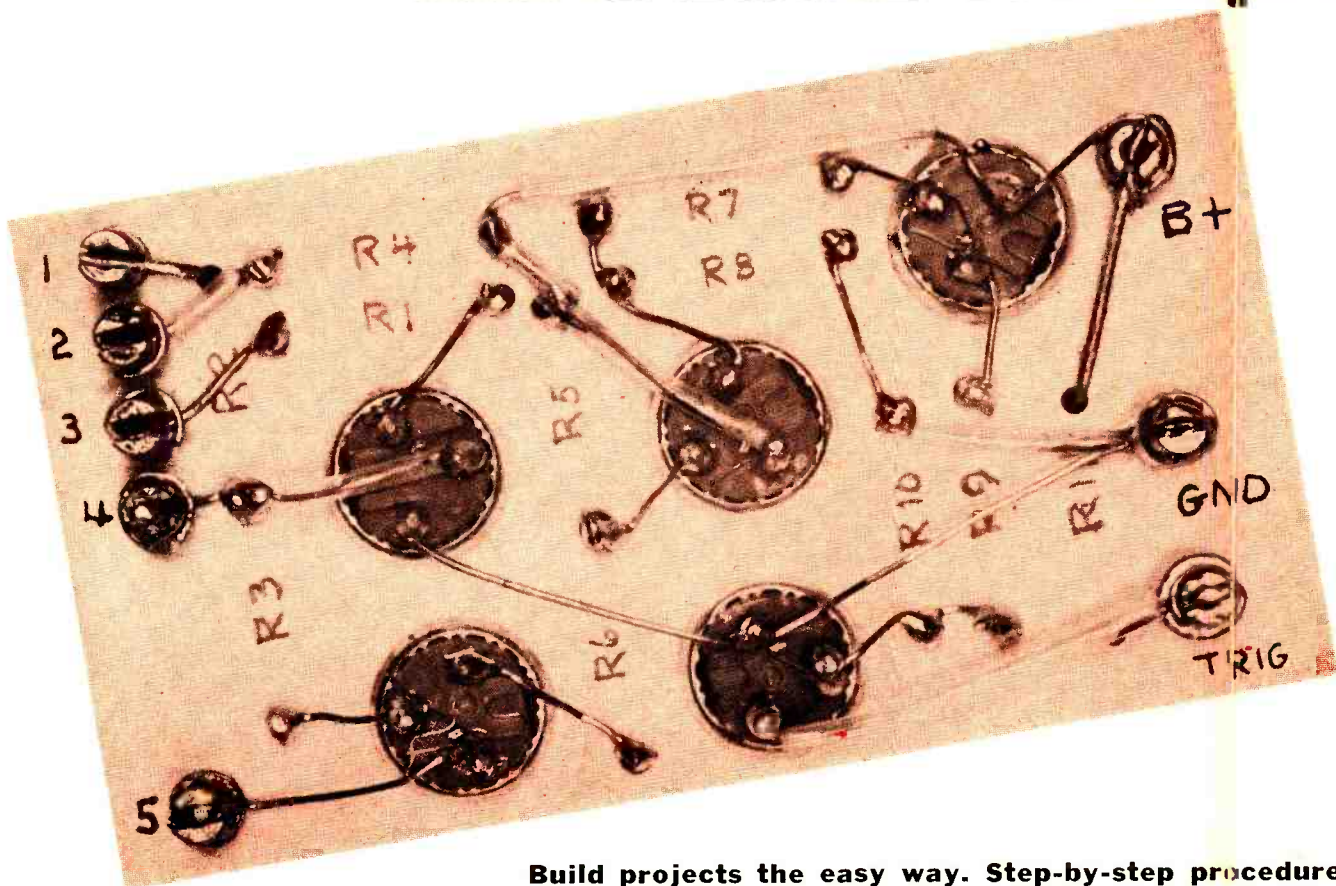
SENCORE

NO. 1 MANUFACTURER OF ELECTRONIC MAINTENANCE EQUIPMENT

426 SOUTH WESTGATE DRIVE, ADDISON, ILLINOIS 60101

Circle 24 on reader service card

USE THE WIRED BOARD TECHNIQUE



Build projects the easy way. Step-by-step procedure shows you how to pack in seven components per square inch.

By ROBERT E. BROCK*

THE WIRED CIRCUIT BOARD TECHNIQUE IS FOR ALL ELECTRONIC HOBBYISTS, experimenters, technicians, engineers and designers who want to build a one-of-a-kind electronic project for their own use or to test a new idea. It offers the advantages of the etched board technique and eliminates virtually all its disadvantages.

Here are nine comparisons of these two techniques:

1. Wired board layout is easier to design because wire crossovers are possible (when one wire is covered by tubing). Foil paths cannot cross unless they are on opposite surfaces of the board.
2. There is no unusual heat problem when wires are soldered. Potentially serious and very significant heat problems exist when foil paths are soldered.
3. The wired circuit path is not fragile, while a foil path may be mechanically damaged very easily.
4. A wire conductor presents a somewhat lower resistance point-to-point than does foil because of its greater mil area.
5. Wired board layout permits a packing density of components exceeding that of etched board layout. At the same time it presents all the attributes of neatness, function and accessibility for point-to-point testing offered by the etched board design.
6. Defective or damaged components on a wired board may be removed and

* Ampex Corp., Redwood City, Calif.

replaced with ease and without hazard to the board. The hazards and difficulties of doing this with an etched board are well known.

7. The width of a wired path is only the diameter of the wire itself (or that of the tubing at crossovers). The foil path width is always greater (occupies more board area). Individual wire paths may be as close as their insulation permits without any possibility of bridging (or shorting) from one to the other. The possibility of bridging one foil path to another while soldering is always present.
8. While both the wired and the foil techniques permit the use of transistor sockets and terminal pins, the ease and flexibility of determining the best socket orientation is far greater with the wired technique.
9. The wired-board blank may be drilled and assembled as soon as the layout is ready. The etched-board blank must be etched before it is drilled, and this drilling is a hazard in itself.

My first test of the wired board idea was building and testing an experimental triggering device. Its circuit (see Fig. 1) included six panel controls, and circuit connections had to be provided on the board for them. One of the controls (switch S1) supports four capacitors.

The board layout (Fig. 1) delivers a packing density (counting eight terminal pins) of seven components per square inch. The drilling pattern (Fig. 1) was made from the layout by tracing the exact locations and identities of components through carbon paper onto the under-surface of the blank board.

Components template

The components template (Fig. 2) in ludes cutout areas which, when traced, produce exact-size outlines of 1/2-, 1- and 2-watt resistors, of a transistor socket and a typical terminal pin. It also includes small guide holes near the ends of each resistor outline, to precisely locate resistor-lead drill holes. The transistor-socket template hole provides a circle whose diameter is the major diameter of the socket clamping ring.

You can make a components template of clear acetate sheet (0.010"-0.025"). Scribe the cutout areas and center lines by placing the acetate over the illustration of Fig. 2. Use a sharp blade to trace lightly each straight line that crosses the length and width of the template area. These lines mark the lateral and longitudinal center lines of the resistors, and the centers of the holes that outline the transistor socket and the terminal pin. Also lightly trace the short cross lines near the ends of the resistor outlines; these locate the holes for the resistor leads.

Carefully trace the outlines of the resistors very heavily (but do not cut through). Then remove the acetate, and place it on a sheet of cardboard to cut out the resistor outlines. Use a 15/32" drill at the socket hole location, a 5/32" drill at the terminal pin hole and a 3/64" drill for the two holes for each resistor outlines.

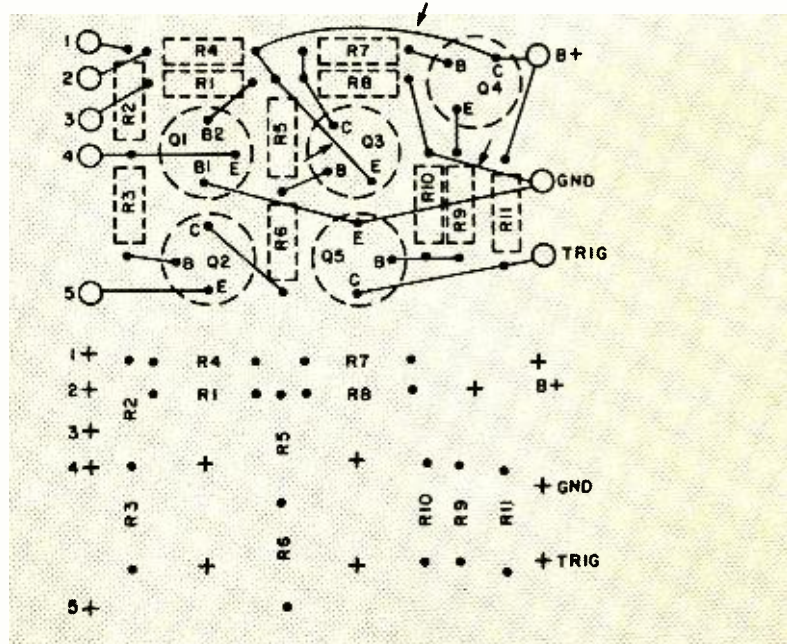
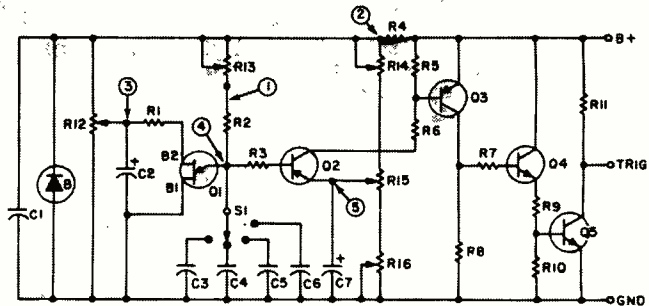
Finally, trace the scribed boundary lines of the template with the knife to cut out the finished template. If you have worked carefully, the sides of the template will be precisely parallel, the ends exactly perpendicular to the sides, and all edges will be smooth.

Fig. 1—Circuit of experimental triggering device (top). Numbered arrows are terminals in layouts below. Full-size layout of wiring board (center). (Arrows indicate insulated wire.) Drilling template (bottom) for under side of board.

Layout technique

Preparing a full-size layout requires some planning to produce efficient component placement. Unless the shape of the board is affected by the space in which it must fit, the layout should occupy a square or rectangular area of minimum size. The following are useful suggestions to keep in mind when preparing a layout:

1. Identify components that will not be mounted on the wired board. These include all panel controls and indicators (potentiometers, switches, etc.), input and output receptacles, the power transformer (if any), physically large capacitors and components that must be heat-sink-mounted.
2. Make an initial layout of the wired board underside. While making the layout, provide a terminal pin for the connections the external components will require to circuit points on the board. One terminal pin will often represent a junction point of two or more externally mounted components.
3. Because the board-mounted components are invisible from the underside of the board, their outlines should be drawn with dashed lines, which serve to establish space requirements and the centers of drilled holes.
4. As drawn, the wire paths may be only representative. Actual wired paths may instead follow the most direct route between circuit points.
5. Give careful consideration to the orientation of all components and transistor sockets with respect to their circuit connection points. Identify each component by its schematic reference number, and number or identify each terminal pin.



6. Having made and checked the initial layout against the schematic, study it to determine how it can be reduced to occupy a minimum of board area. Think in terms of repositioning or reorientation of components to reduce the size of unused board areas.
7. Make a new layout that reflects the improved packing density planned in (6). Remember that the wire paths may cross each other (if tubing is used at crossover points), and that the paths may be directly under any of the components (except perhaps the transistor sockets). Capacitors or resistors associated with switches should be mounted on them, external to the board. Small capacitors and diodes should be connected to terminal pins (on top of the board), and dressed to a vacant board area where possible.

Unless the number of 1-watt resistors represents 22% (or the number of 2-watt resistors represents 12%) or more of the total number of resistors, it is usually possible to place an average of seven components (counting terminal pins) per square inch of board. In any case, the packing density achieved can equal or exceed that of a comparably well-designed foil-path board.

Wired-board construction

After completing the components layout and marking the locations of holes to be drilled, position the layout on the under side of a sheet of 1/16" plain phenolic or fiberboard. Fasten it in position temporarily with short lengths of masking tape at the top and sides. Then insert a sheet of carbon paper (carbon side down) between the layout

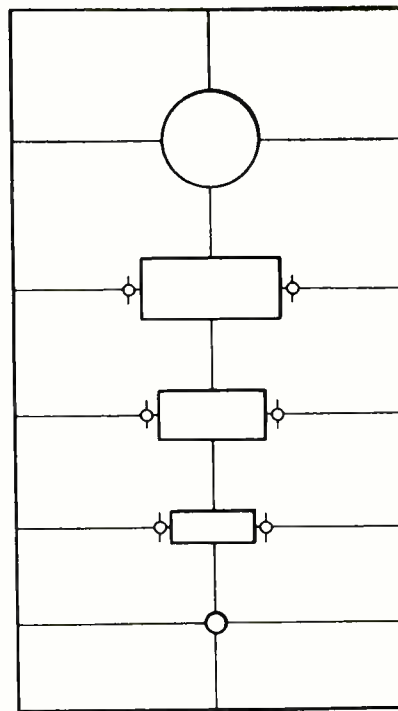


Fig. 2—Template for drawing exact size component outlines.

and the board. The series of photos across the bottom of pages 25 and 26 illustrates the text that follows.

Use a dull-pointed stylus to mark the location of each hole to be drilled (Photo A). Each resistor requires two

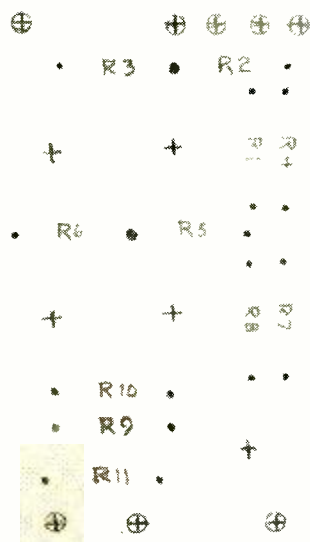


Photo A—Drill holes are transferred to back of blank board used for the wired board layout. Tape the completed component layout (Fig. 1) to the underside of circuit board with carbon paper. Trace each drill hole and schematic number of the resistors. Spray board with fixative to prevent smudging pencil markings.

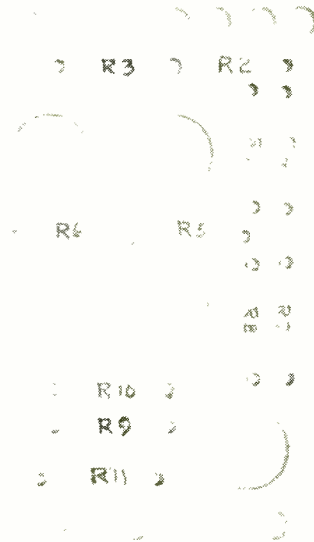


Photo B—Drill holes for the components, sockets and terminals next. In-line resistors need only one hole. Its size is determined by resistor wattage (see text for hole size). If tracing was made on a larger piece of board, cut the board to finished size now. Leave adequate margins for chassis-mounting holes.

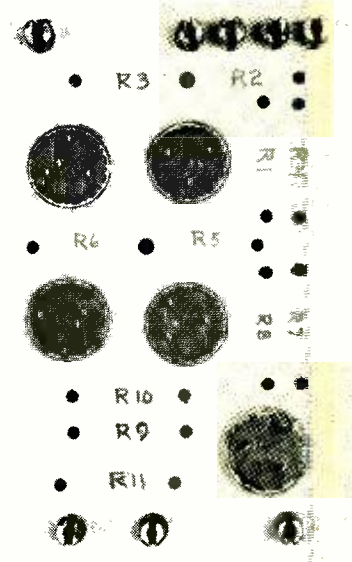


Photo C—Install sockets and terminal pins next. Make sure that socket pins are oriented to correspond with pin positions in the layout. Similarly, install terminal pins so their slots line up with the connections to be made in the circuit. The fourth pin of the sockets has been clipped off as it is not needed in this circuit.

such holes. Be sure to mark both, and mark only the schematic code of the resistor. Do not draw the resistor outline. Mark the center of each transistor socket location, and draw in each terminal pin, and marking its assigned number or other identification.

Lift up the layout and the carbon paper, and determine that every hole to be drilled is marked and every component identified. Then remove the layout and the carbon paper, and apply a light spray of a fixative such as Krylon or lacquer to the board surface to prevent smudging the marks.

The wire holes drilled for each resistor should be $\frac{1}{16}$ " diameter and the hole for each transistor socket $\frac{3}{8}$ ". The hole for each terminal pin should be its diameter as measured with a micrometer (to assure a firm pressed fit when installed).

Drill only one common hole to connect two in-line resistors (Photo B). The common-wire hole for two in-line $\frac{1}{2}$ -watt resistors should be $\frac{3}{16}$ " diameter; for two 1-watt resistors, $\frac{3}{16}$ "; for two 2 watt, $\frac{1}{8}$ ".

Install the transistor sockets with their bases protruding through the under surface of the board, and orient them to the positions shown for the C-B-E leads in the layout. Similarly install the terminal pins, orienting their slots (if any) to be in line with their connections to the wired circuit (Photo C).

Use No. 22 AWG tinned soft bare copper wire to make all direct connections between transistors and terminal pins. Solder the connections to the socket terminal. Solder connections to terminal pins only if no other under-side connections are to be made to that terminal pin.

If the layout includes several junctions with power buses (such as "+" volts or ground), make and solder the terminal connection, and extend the bus in readiness for component junctions as you encounter them (Photos D, E and F).

Wiring suggestions

Here are several useful rules to follow in wiring the board:

1. Use No. 22 AWG tinned soft bare copper in all circuit paths that do not include any 1-watt or 2-watt resistors.

Connections of External Components to Wired Board (Experimental triggering device)

PIN IDENTITY	CONNECTIONS TO EXTERNAL COMPONENTS
1	Bottom of R13
2	Tops of R12, R13, R14, Cathode of diode, C1+
3	Wiper of R12, C2+
4	Wiper of switch S1
5	Wiper of R15, C7+
GND	Bottom of R16, common of C3, C4, C5, C6, C7-, C1-, Anode of diode, bottoms of R12, and R16 (with wiper)

2. Use No. 20 AWG (or two pieces of No. 22 AWG in parallel) in circuit paths to 1-watt resistors. Use No. 18 AWG (or three pieces of No. 22 AWG) in circuit paths to 2-watt resistors, and in all power- and negative-return buses connected to 1- or 2-watt resistors or to the collectors of power-switching or power-amplifier transistors.
3. Use the resistor leads for all direct connections to terminal pins and, where possible without splicing, to all transistor socket connections.
4. Prepare each resistor for mounting on the board by bending both leads at right angles. Mount each resistor by pushing its leads through its predrilled holes in the circuit board. If one lead is to be the only connection made to a given terminal pin or transistor terminal, bend it flush with the board surface in the direction of the connection, make the connection, and solder it.
5. If any resistor lead makes a junction with one or more components, cut it off, leaving about $\frac{1}{16}$ " protruding from the under side of the board. Proceed with the point-to-point wiring by wrapping the connecting wire one or two tight turns around the resistor lead (snug to the board) and soldering it. Then snip off any of the lead length that protrudes from the soldered connection, and continue to the next connection point.

R-E

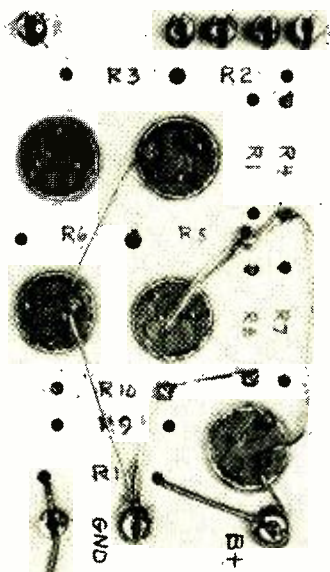


Photo D—Power buses (B+ and GND) are connected and soldered. Resistors R4, R5, R8, R10 and R11 are installed during this step. Note the use of tubing to protect against shorts at cross-connection points.

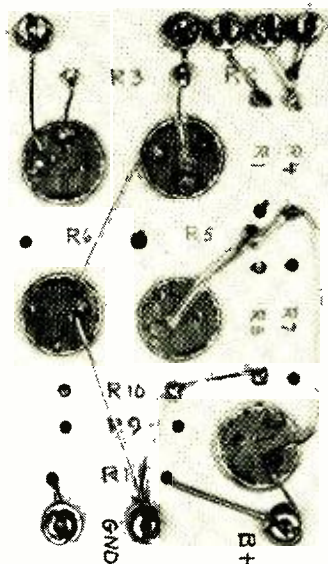


Photo E—Connections between terminal pins and components are completed. Resistors R1, R2 and R3 have been added for this step. More tubing is used for insulation wherever insulation is needed.

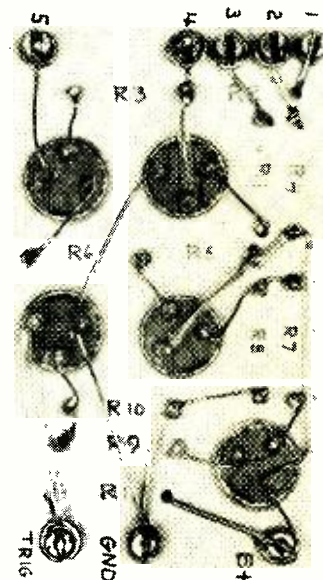
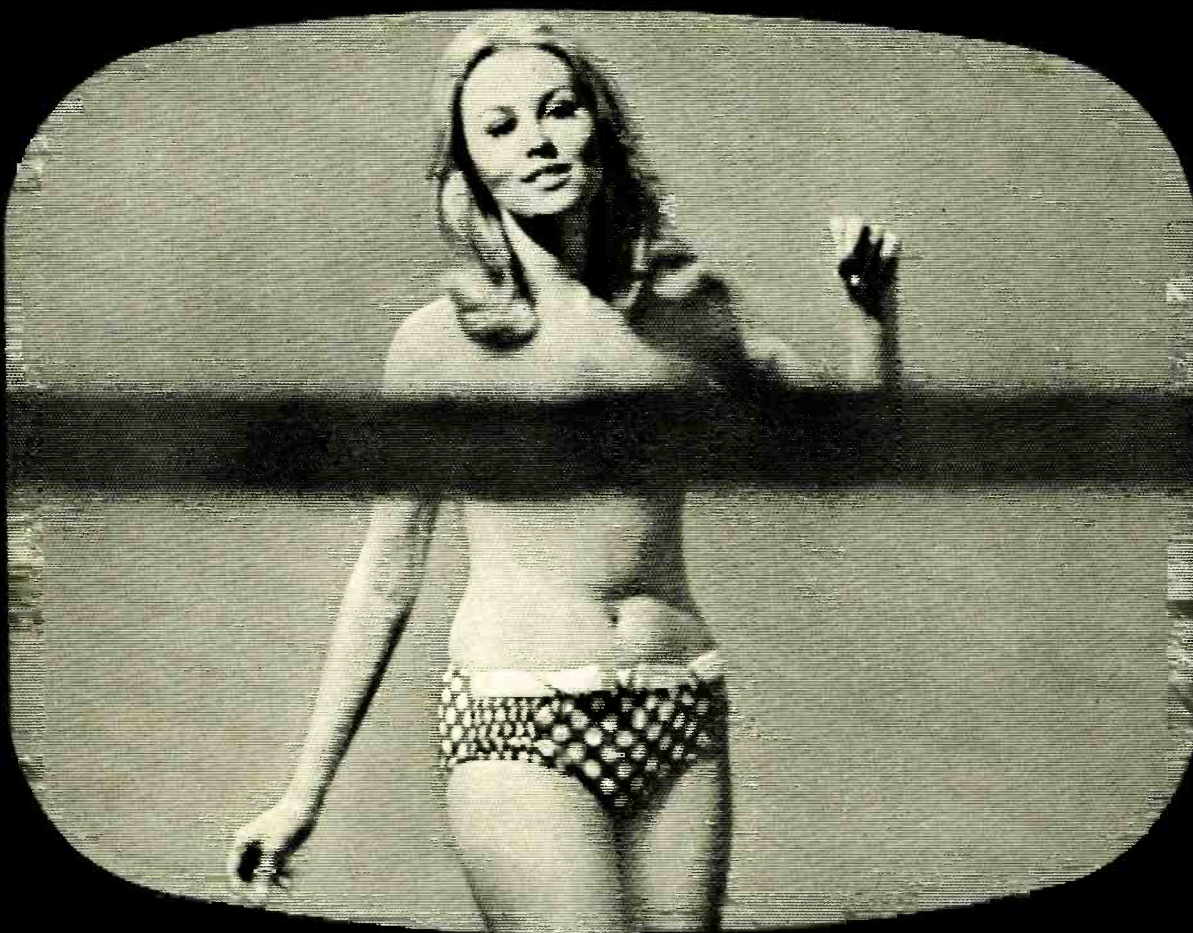


Photo F—Resistors R6, R7, and R9 are added, and all connections between terminals, sockets and components are completed. The board is now completely assembled and ready to be put to work.

There's nothing wrong with the set.



You fixed the picture a week ago, now you're back repairing your repair job. And paying for it.

Replacement parts are supposed to last longer than that.

Like electrolytic capacitors. If they're wound in computer-grade, 99.99% pure aluminum foil, they'll hold up for a long time at continuous temperatures of 85 C.

Like Arcolytic capacitors do.

Even though they cost the same as any other home entertainment capacitor. And come in more than 2000 exact replacement values to maintain the set's stability.

Any Arcolytic distributor can fill you in on the whole line of

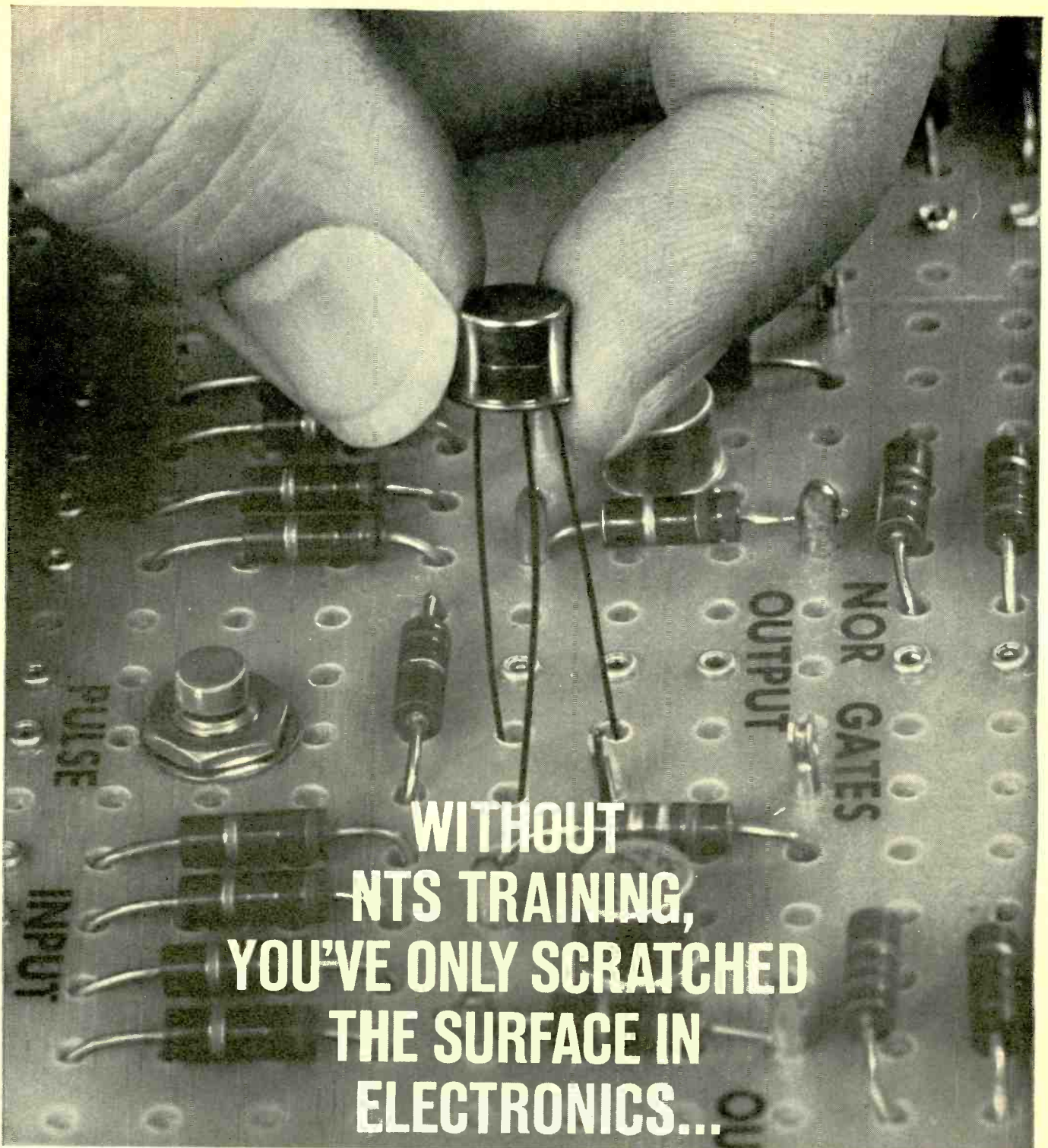
Circle 25 on reader service card

Arcolytic types—twist mounts, printed circuit twist mounts, tubular electrolytics (including very high capacitance values) and miniature tubulars in the smallest physical sizes. He can also sell you Elmenco capacitors.

Then you won't have to do repair jobs twice. If the lady in the set seems to be missing something, a week after you've done a repair job, it's her problem. Not yours.

Loral Distributor Products

A DIVISION OF LORAL CORPORATION
Pond Hill Industrial Park, Great Neck, New York 11022



Only NTS penetrates below the surface. Digs deeper. Example? Take the above close-up of the first transistorized digital computer trainer ever offered by a home study school.

It's called The Compu-Trainer®—an NTS exclusive. Fascinating to assemble, it introduces you to the exciting world of computer electronics. Its design includes advanced solid-state NOR circuitry,

flip-flops, astable multivibrators and reset circuits. Plus two zener and transistorized voltage-regulated power supplies. The NTS Compu-Trainer® is capable of performing 50,000 operations per second.

Sound fantastic? *It is!* And at that, it's only one of many *ultra-advanced* kits that National Technical Schools offers to give you incomparable, in-depth career training.

PROVE IT YOURSELF. SEND FOR OUR NEW CATALOG. SEE THE LATEST, MOST ADVANCED KITS AND COURSES EVER OFFERED BY A HOME STUDY SCHOOL.

NTS...THE FIRST HOME STUDY SCHOOL TO OFFER LIVE EXPERIMENTS WITH INTEGRATED CIRCUIT KITS

You build a computer sub-system using the new, revolutionary integrated circuits. Each one, smaller than a dime, contains the equivalent of 15 resistors and 27 transistors.

And your kits come to you at no extra cost. These kits are the foundation of the exclusive *Project-Method* home study system...developed in our giant resident school and proven effective for thousands of men like yourself.

With Project-Method, all your kits are carefully integrated with lesson material. Our servicing and communication kits are *real* equipment—not school-designed versions for training only. As you work on each of the projects, you soon realize that even the most complicated circuits and components are easy to understand. You learn *how* they work. You learn *why* they work.

NTS Project-Method is a practical-experience approach to learning. The approach that works *best!* An all-theory training program can be hard to understand — difficult to remember. More than ever before you need the practical experience that comes from working with real circuits and components to make your training stick.

NTS SENDS YOU KITS TO BUILD THESE IMPORTANT ELECTRONICS UNITS!

- ◆ 25" COLOR TV
- ◆ 21" BLACK & WHITE TV
- ◆ SOLID-STATE RADIO
- ◆ AM-SW TWIN-SPEAKER RADIO
- ◆ TUBE-TESTER
- ◆ TRANSCEIVER
- ◆ COMPU-TRAINER®
- ◆ VTVM
- ◆ SIGNAL GENERATOR
- ◆ 5" OSCILLOSCOPE

See them all illustrated in
the new NTS Color Catalog.

CLASSROOM TRAINING AT LOS ANGELES: You can take classroom training at Los Angeles in sunny California. NTS occupies a city block with over a million dollars in facilities devoted exclusively to technical training. Check box in coupon.

NATIONAL TECHNICAL SCHOOLS

WORLD-WIDE TRAINING SINCE 1905

4000 So. Figueroa Street, Los Angeles, Calif. 90037

APPROVED FOR VETERANS



Accredited Member: National Home Study Council
Accredited Member: National Association of
Trade and Technical Schools



MARCH 1969



COMMUNICATIONS

This transceiver is included in Communications courses. You build it. With it, you easily prepare for the F.C.C. license exam. You become a fully-trained man in communications, where career opportunities are unlimited.

25" COLOR TV ▼

Included in Color TV Servicing Courses. With it you advance yourself into this profitable field of servicing work. Color is the future of television, you can be in on it with NTS training.



YOUR OPPORTUNITY IS NOW

New ideas, new inventions, are opening whole new fields of opportunity. The electronic industry is still the fastest growing field in the U.S. There's a bigger, better place in it for the man who trains today. So, whatever your goals are—advanced color TV servicing, broadcasting, F.C.C. license, computers, or industrial controls, NTS has a highly professional course to meet your needs.

GET THE FACTS! SEE ALL NEW COURSES AND KITS OFFERED IN THE NEW NTS COLOR CATALOG. SEND THE CARD OR COUPON TODAY!



There's no obligation. You enroll by mail only. No salesman will call.

Dept. 206-79

NATIONAL TECHNICAL SCHOOLS

4000 S. Figueroa St., Los Angeles, Calif. 90037

Please rush Free Color Catalog and Sample Lesson, plus information on field checked below. No obligation.

- | | |
|---|--|
| <input type="checkbox"/> MASTER COURSE IN COLOR TV SERVICING | <input type="checkbox"/> FCC LICENSE COURSE |
| <input type="checkbox"/> COLOR TV SERVICING | <input type="checkbox"/> MASTER COURSE IN ELECTRONICS TECHNOLOGY |
| <input type="checkbox"/> MASTER COURSE IN TV & RADIO SERVICING | <input type="checkbox"/> INDUSTRIAL & AUTOMATION ELECTRONICS |
| <input type="checkbox"/> PRACTICAL TV & RADIO SERVICING | <input type="checkbox"/> COMPUTER ELECTRONICS |
| <input type="checkbox"/> MASTER COURSE IN ELECTRONIC COMMUNICATIONS | <input type="checkbox"/> BASIC ELECTRONICS |

NAME _____ AGE _____

ADDRESS _____

CITY _____ STATE _____ ZIP _____

Check if interested in Veteran Training under new G. I. Bill.

Check if interested ONLY in Classroom Training at Los Angeles.

Crossover Showdown —

Crossovers, Electrical or Electronic?

by **NORMAN H. CROWHURST**

THIS QUESTION ISN'T EASY TO ANSWER. THE QUESTION ISN'T as easy as a question ought to be, because what's on the questioner's mind may not coincide with what the answerer thinks he's answering. How's that?

Really, here are several questions, wrapped up together, and to answer them properly, we must separate them. What most people probably think of is whether the frequency separation, associated with crossovers, should be performed before or after power amplification. Label that question 1.

Then there's the matter of whether the correct overall power level is maintained throughout the frequency response, and which form achieves the more successful separation, as far as distortion-free performance is concerned. That's a more involved question, but we'll label it question 2, for the time being.

Before or after power amplification?

The big reason for using multi-way speakers, which creates the need for crossovers, is avoiding intermodula-

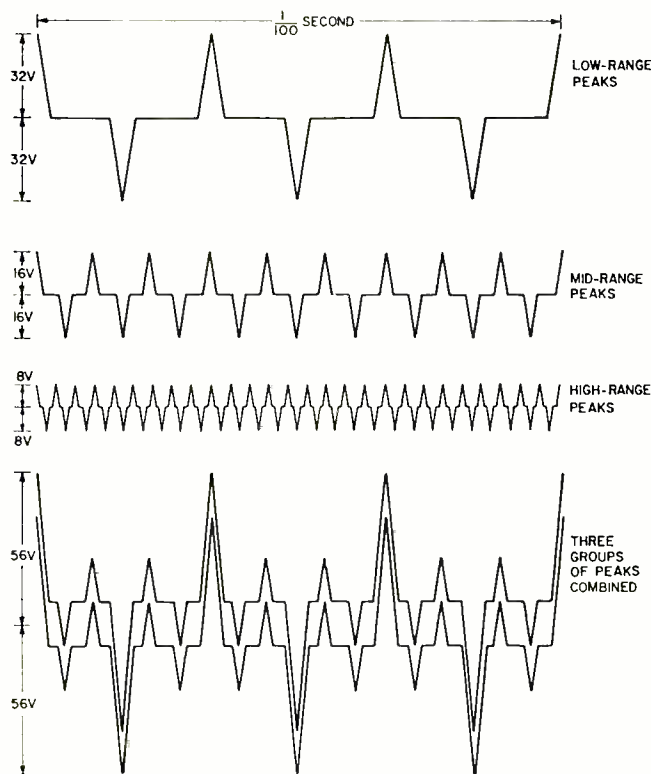


Fig. 1—Stylized representation of signal peaks in a three-way system. You can see how the total peak power required is more than double the sum of the individual peak powers required.

tion between frequencies in different parts of the audio spectrum. Intermodulation comes in two major forms: 1. Lower frequencies combined with higher frequencies can modulate the latter, creating a gargly effect. 2. More than one higher frequency may intermodulate, between themselves, creating a buzz at the difference frequency, which is lower.

Keeping the segments of the audio spectrum separate avoids the gargly effect, because the high frequencies go to a different unit, and thus aren't modulated by the lower frequency. It also avoids the buzz effect, because the higher frequencies are reproduced in a unit that won't reproduce the lower-frequency buzz generated between them.

But really, one big power amplifier is better than two or three smaller ones, isn't it? Not necessarily.

Let's say we have a three-way system, where the bass unit may handle 32 watts, the mid-range 8 watts and the tweeter 2 watts. All are 16-ohm impedance units. One argument suggests that power never comes to all the units at the same instant, so a 35-watt amplifier should suffice.

The more usual notion would add up $32 + 8 + 2$, which makes 42 watts, and we conclude that a 50-watt amplifier should be plenty big enough.

Let's consider a simplified signal containing peak signals in each range, of maximum amplitude for that range. Power ratings are based on the average power in a single sine wave. So peak power is twice the rated value. Waveforms add, whether they're sine waves or more complicated musical compositions.

A peak power of 64 watts at 16 ohms calculates to 32 volts peak. A peak power of 16 watts at 16 ohms is 16 volts peak. And 4 watts peak at 16 ohms is 8 volts peak. If one amplifier handles all three, there will be points where all three waveform peaks will momentarily add, although on average, they won't.

For example, if the frequencies at which peaks occur are 300, 900 and 2,700 respectively, then 3 times every 0.01 second (10 msec) in each polarity, the three waveforms will momentarily add. For the rest of the time, they won't (Fig. 1).

But 3 times each 10 msec, the amplifier must handle the equivalent of $32 + 16 + 8$ volts peak (not watts). So to handle the peaks at these moments, the amplifier must be capable of handling 56 volts peak, which represents 196 watts peak, or a rating of 98 watts.

This is more than double the sum of the individual powers, which was 42 watts. If you use separate amplifiers, they could be rated at 32, 8 and 2 watts, respectively, quite satisfactorily. But if you use a single one, it must be rated at 98 watts to handle the same overall signal. That's quite a difference. What it amounts to is that those three smaller amplifiers can produce as much total sound as a single 100-watt amplifier handling the whole signal.

This additive effect aggravates the intermodulation problem. Even though the single amplifier may be re-

(continued on page 34)

The Many Ways To Go

A New Approach to Speaker Design

by ERIC ROSENFELD*

MOST MODERN LOUDSPEAKER DESIGN EFFORT CONCENTRATES on designing a box containing several loudspeakers pointed at the listener. The intent is to design loudspeakers with flat frequency response when measured on axis in an anechoic environment and having wide dispersion at all frequencies.

Which direction to realism?

As the art of speaker design advances it becomes more and more difficult to determine the true fidelity of a loudspeaker. Anyone who has compared modern speaker systems is aware of the subtlety of differences between high quality systems. In spite of these loudspeakers' similarity to each other, most people realize that their sound is a far cry from the experience at a live concert.

If there were no technological problems in designing a loudspeaker system, how should it be designed for maximum fidelity? Would a box with flat frequency response on axis and high dispersion provide the ultimate in fidelity? To answer these questions we must take a closer look at the reproduction process. Let's take our ears first.

What we don't know

Life would be simpler if we could model what happens when an acoustic vibration reaches the ear causing sound to be perceived by the brain. Unfortunately our understanding of the hearing process is still very poor. We know certain very rudimentary characteristics of hearing such as the threshold of hearing at different frequencies. We have some idea of what cues enable the ear to determine the location of a sound source. Our understanding of more complicated phenomena such as how the brain

utilizes various cues to determine the location of a sound source, or even more important, how the brain is able to separate one sound from many are still deep mysteries.

Without knowing what characteristics of sound are important in music reproduction, and without knowing what types of errors or distortions are inaudible, there is only one course to take.

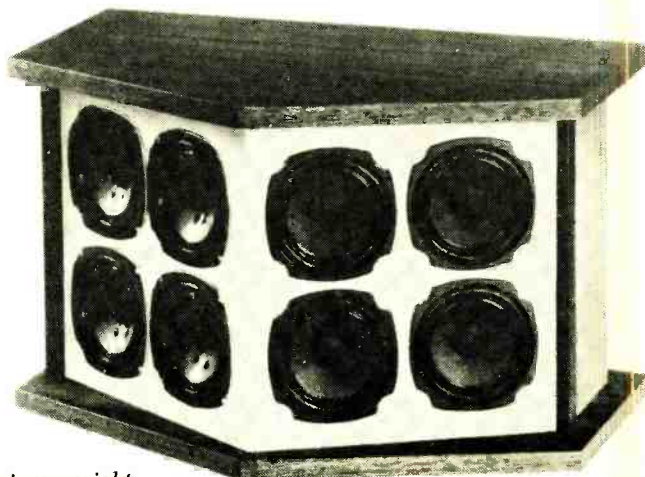
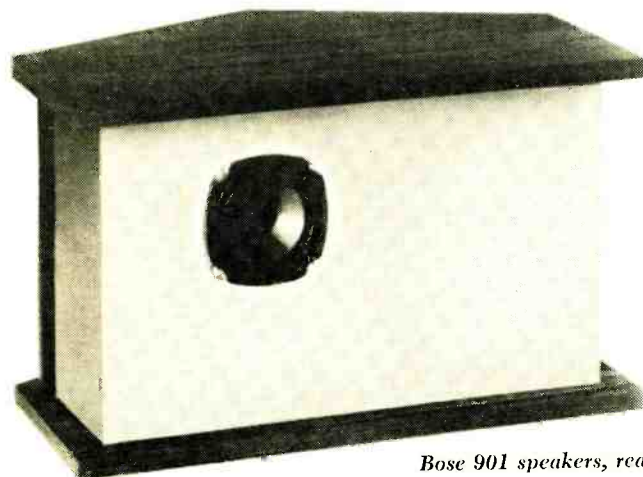
Difference experiments are the way

Listen to the sound with and without the coloration or distortion and see if the difference can be heard. If you hear a difference it must be attributed to the distortion or coloration. If there is no audible difference, the distortion or coloration is unimportant. In setting up such an experiment there must be absolute similarity among all other parameters. Otherwise the cause of any difference detected cannot be determined.

Let us look at how a difference experiment could be used to determine whether some part of a music reproduction system is introducing a significant amount of distortion. The experiment must be designed so that when the person listens to the two samples to be compared, the only difference would be the variation caused by the part of the system under test. This means that even the levels of the two signals, and the background noise of the two signals must be the same at the time of the comparison. If all things are held equal, then any audible difference must be due to the added distortion.

To test a speaker for distortion, this technique might be applied in the following manner. First a recording of the sound reproduced by the loudspeaker is made while a record is played by the loudspeaker. The amplifier driving the speaker and the tape recorder recording level control are set so that neither the amplifier nor the tape recorder is overloaded. A second recording of the same program source

(continued on page 35)



Bose 901 speakers, rear view on right.

CROSSOVERS, ELECTRICAL OR ELECTRONIC?

latively free of intermodulation distortion at its lower levels, any amplifier produces large slices of distortion, both harmonic and intermodulation, any time its peaks run into overload.

So choosing a 50-watt amplifier, based on merely adding the separate powers required, means that the momentary 200-watt peaks, that should have a 100-watt amplifier to handle them, will produce a large amount of intermodulation distortion, concentrated in those short moments, 3 times every 10 msec in the illustration used.

Here is another disadvantage. Suppose you do use a 100-watt amplifier, to be sure you have the peak power available. Now you have an average power of 100 watts available, too. If the system is turned up too high in level, all the units can receive twice the power for which they are rated. Or one of them could sometimes get the full 100 watts, which is even worse. This definitely endangers the units: they could be damaged or burned out.

So trying to make a single power amplifier feed a multiway system really puts us between the devil and the deep blue sea. That pretty well answers the before-or-after power amplification question. Now we come to the more involved question.

How steep the rolloff?

This has always been a question, even before electronic crossovers came into the picture. Really it relates to certain qualities about loudspeaker unit frequency response. Speakers for use in a multiway system are designed to handle their own frequencies well, but should not be given frequencies outside their own range.

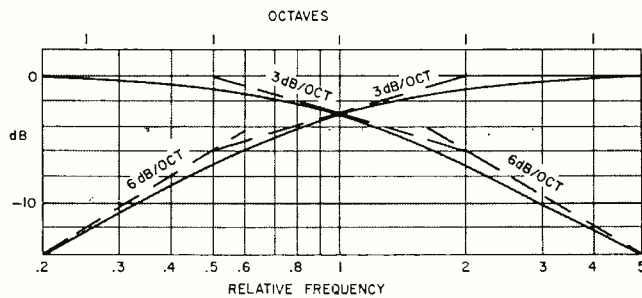


Fig. 2—Frequency response of simple RC (series and shunt) rolloffs, when they are used as crossovers.

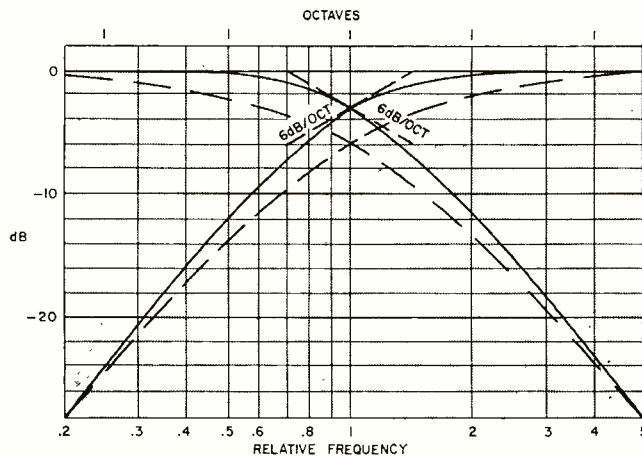


Fig. 3—Correct 12-dB/octave response (solid-line curves) and the effect of combining two 6-dB/octave responses (shown as dashed-line curves).

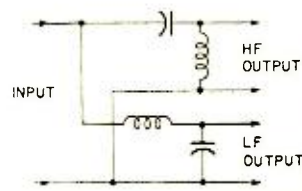


Fig. 4—Circuit for electrical crossover filter. Each element has a reactance of 1.414 times the terminating impedance, at crossover frequency. When correctly terminated, it yields the true 12-dB/octave response.

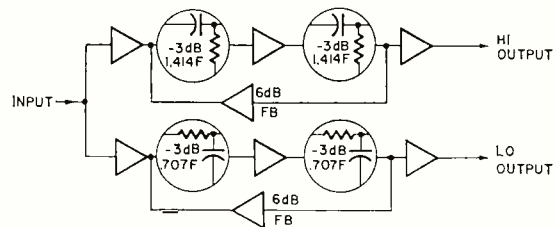
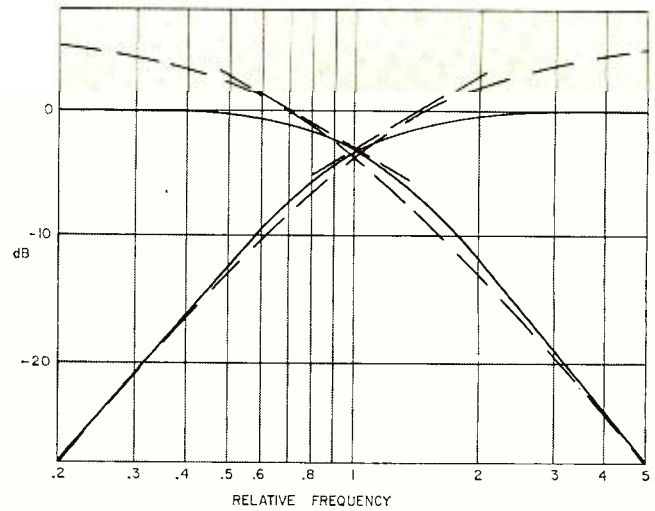


Fig. 5—Getting correct 12-dB/octave response with feedback. Dashed-line curves indicate response before feedback is applied. The block diagram indicates the essentials of this method.

The basic RC rolloff (Fig. 2) produces a 6-dB/octave ultimate slope. At the crossover frequency, each output receives half-power, or is 3 dB down, and the slope is 3 dB/octave. An octave one side or the other of crossover frequency, one unit is 1 dB down and the other is 7 dB down; not a big differential, nor is it rapidly made.

The better speaker units will work with only such 6-dB/octave crossovers. But some should really have at least 12-dB/octave crossovers. This response is not just the 6-dB/octave response doubled (Fig. 3). If it was, the method would be simple: just use two of them. A better way to view the 12-dB/octave response is as the simple response squeezed into half the frequency range (on a log scale).

Thus we could tabulate the difference between the responses in this way:

Frequency (times crossover):	0.25	0.5	0.707	1	1.414	2	4
6 dB/octave:							
LF unit:	-0.25	-1	-1.75	-3	-4.75	-7	-12.3
HF unit:	-12.3	-7	-4.75	-3	-1.75	-1	-0.25
12 dB/octave:							
LF unit:	-0.017	-0.25	-1	-3	-7	-12.3	-24
HF unit:	-24	-12.3	-7	-3	-1	-0.25	-0.017

If you put together two 6-dB/octave networks, the attenuation at crossover will be 6 dB, and the total power from the two units is -3 dB at this frequency. There is a dip in the overall response, and the slope doesn't change much more rapidly than the single unit.

The only way to get a correct 12-dB/octave rolloff

(continued on page 36)

A NEW APPROACH TO SPEAKER DESIGN

is made with the amplifier gain driving the speaker boosted, and the recorder gain reduced so the level of this recording is the same as the first recording. The two recordings are synchronized and compared in an A-B comparison. When the two recordings are compared, any difference must be caused by the distortion added when the speaker was driven at the higher level.

Using this technique it is possible to determine the importance of any distortion added by the speaker at higher levels. This type of experiment allows the investigator to determine the importance of distortion or any other variable only by comparing two things for a difference, rather than trying to determine which of two different things sounds better.

Fidelity from many small speakers

Using controlled difference experiments, different approaches to the problem of music reproduction can be tested.

Exactly this type of test was used to prove that many small speakers in a single enclosure, when used with proper electronic equalization, introduce no audible coloration or distortion to the sound reproduced through them.

To perform a difference experiment we must have another system which is identical to the test system except that this standard of comparison must not contain any of the defects of the test system. If we had a standard speaker design one might wonder why we were fooling around with another speaker which wasn't as good.

Just as it is possible to simulate an ideal amplifier having unity gain by a straight piece of wire, it is possible to simulate the performance of a spherical source (a source that emits spherically shaped waves) containing no coloration or distortion. With careful measurements we can simulate, with the aid of a computer, what a microphone would record when placed in a room with a spherical source being played.

Once a recording has been made of the computer-simulated spherical speaker as it would sound in a given room, the experimental speaker can be placed in the same room. A microphone is placed in the room, and a recording is made of the real speaker. The simulation of the spherical speaker is done so the characteristics of the real and simulated rooms, the positions of the real and simulated speakers, and the positions of real and simulated microphones are identical. Thus these variables cannot contribute to any differences detected.

If the recordings match up so closely that it is impossible for the recordings to be audibly distinguished, we know that we have developed a technique for reproducing a sound without coloration or distortion. If our test speaker does not sound the same as the simulated speaker we know only that more work must be done to develop a better approximation to the simulated loudspeaker.

The proof is in the pudding

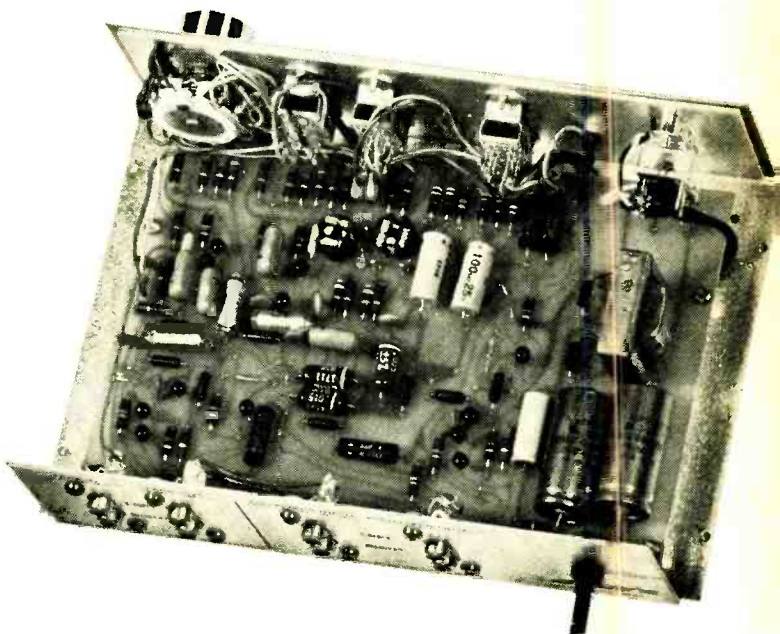
Just such a series of experiments was done by Prof. Amar G. Bose of M.I.T. at the Research Laboratory of Electronics, M.I.T.¹ In these experiments a computer simulated the performance of a spherical loudspeaker in the corner of a room. Using a speaker system containing many small speakers driven by a signal that had been passed through an electronic equalizer, he was able to produce recordings that were audibly indistinguishable from the recordings of the computer-simulated spherical speaker.

¹On the Design, Measurement, and Evaluation of Loudspeakers by Amar G. Bose, presented at the 35th convention of the AES.

The speaker system consisted of twenty-two identical speakers mounted on the surface of an eighth of a sphere. This system was placed in the corner of the same room that was measured for the computer-simulated speaker. When measurements were made it was found that, as expected, the entire array of twenty-two speakers did not display any of the imperfections of the individual speakers.

Why bother to equalize?

The difference in response between the real and simulated speakers versus frequency was a smooth curve without the audible imperfections of the individual speakers. Any irregularities expected from the cone resonances of the individual loudspeakers averaged out. If one small speaker were playing alone, such irregularities would have been noticeable.



Resurgence in electronic crossovers is typified by the new unit from C-M. The imported device permits the hi-fi system owner to select the exact crossover frequency he desires to use.

This was an important observation. It meant that an electronic equalizer could be inserted into the amplifier chain before the real loudspeaker to compensate for the difference. Such an equalizer would contour the signal spectrum fed to the speaker so any coloration introduced by the speaker is cancelled. Such compensation would not have been possible if there were sharp irregularities with characteristics that might vary with time or environment. This instability of characteristics would be expected in conventional speakers where only a few speaker elements are used to reproduce each frequency band. Here, since cone resonances do not average out, they introduce irregularities that vary greatly from unit to unit and with time. The overall frequency response of such a system can be corrected, but the effects of cone resonances, responsible for coloration in some speakers, could not be corrected practically.

When the simulated speaker and the real compensated
(continued on page 36)

is either to use the correct electrical circuit (Fig. 4) feeding the loudspeaker units direct, thus putting the crossover after power amplification, or to use the RC stages with feedback to provide the equivalent interaction (Fig. 5).

A number of manufacturers, aware of the advantage of separating the frequencies before the power amplification, have advertised electronic crossovers. An incidental advantage to manufacturers is that it sells more power amplifiers! But up to date no commercial equipment has been made available that produces the correct response for 12-dB/octave (or steeper) rolloffs.

I have written articles giving design data from which

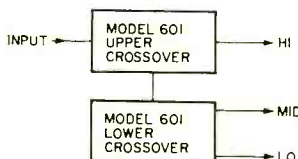


Fig. 6—How to use two CM Laboratories model 601 electronic crossovers to set up a three-way system.

one can be built (item 5 below), but to date they have not been made commercially available.

However, one quite useful unit has recently made the scene. In performance, it does no better than a simple RC crossover, yielding 6 dB/octave. But it does provide considerably greater flexibility in use than any simple RC network could.

This is the C-M Labs Model 601 Electronic Crossover. Its advantage over simple circuits is that it has seven "element" frequencies for the crossover: 100, 200, 400, 800, 1,600, 3,200 and 6,400 Hz. These are selected by slide switches. Thus 2,000 Hz can be made up as $1600 + 400$, or 3,500 Hz as $3,200 + 200 + 100$.

With this arrangement, 127 crossover frequencies are possible, at 100-Hz intervals from 100 to 12,700 Hz.

The electronic circuits are used to provide isolation between elements, and freedom from distortion over this wide range of control. The unit has zero voltage gain (output same level as input) using an input of 100,000 ohms and an output for connecting to 10,000 ohms or higher, from a 600-ohm source. It has a level control for each output. The units may be cascaded to achieve three-way crossover (Fig. 6).

Making a 12-dB/octave network involves applying some 6 dB of negative feedback (minimum) around two RC rolloffs in cascade. As the feedback will be different from each output, the input needs buffering, so the feedback affects only the channel over which it is applied.

Input and output should be buffered so that impedance termination does not radically affect response. Modifying the feedback and rolloff points, and adding further rolloffs without feedback, can synthesize 18-dB/octave crossovers, but responses this sharp are apt to spoil transient performance.

A good choice rests between the 6 dB/octave, which the C-M Labs Model 601 provides in great variety, or 12 dB/octave, which you'd have to make up for yourself at the moment. In another article, I'll give data and details of aligning the circuit to obtain correct response for a transistorized version.

R-E

Bibliography

1. Norman H. Crowhurst, "Loudspeaker Crossover Design," *Radio-Electronics*, July 1952
2. Norman H. Crowhurst, "More About Filters," *Radio-Electronics*, April-May 1953
3. Norman H. Crowhurst, "Questions about Crossovers," *Radio-Electronics*, July-August 1956
4. Herbert Ravenswood, "Electronic Dividing Networks," *Radio-Electronics*, September 1957
5. Norman H. Crowhurst, "Multi-Channel Electronic Crossovers," *Radio-Electronics*, December 1957

*Radio-Electronics, December 1957, contained one such article.

speaker system were judged in carefully controlled A-B comparisons, no difference could be detected by the most skilled listener on any type of program material. This experiment proved that when a multiplicity of small speakers is used with proper electronic equalization, there need never be any coloration or distortion from such a system.

Where to from here?

Having a proven technique for reproducing sound without coloration or distortion we have solved only one facet of the problem of sound reproduction. Now we must look at the rest of the problem.

Most people are interested in listening to performances which, if attended live, would usually be held in a large room or hall. There are certain characteristics of large rooms which particularly concern the person trying to reproduce such a performance.

As with a source of light, in open space, the intensity of a sound source falls off with distance. However, if we measure the intensity of the sound produced by a source in a room, beyond a certain distance from the source, the sound level remains relatively constant. This phenomenon is caused by the reflections of the sound by the walls. After a certain distance from the source is reached, the sound results almost entirely from reflections off the walls. If the room is irregularly shaped, the intensity of the sound resulting from these reflections will be almost completely independent of position. If the room is regular in shape (such as the average living room, with parallel walls) then reflections produce standing waves which will account for most of the sound energy that reaches the listener in a room. To realize the importance of the reinforcement of the original sound produced by reflections on a room, talk softly to a person across a room, then talk to a person across the same distance outdoors away from large reflecting objects. Your voice will be significantly weaker outdoors. Outdoors your voice will not be reinforced by reflections as in the room.

For a good seat in a concert hall the ratio of direct to reflected sound might be on the order of one to eight. The direct sound, while weaker than the reflected sound, is not completely dominated by the latter. This is important—the direct sound is responsible for some of the clarity and directionality of the sound.

This knowledge of reflected sound should influence speaker design in two different ways. First, the designer should control the relation between the direct and reflected sound emitted by the speaker. Second, new criteria must be used to serve as a guide to the speaker designer because of the importance of evaluating the performance of speakers as they are actually used in a room where the listener hears both direct and reflected sound.

The intensity of the reverberant sound in a room is determined by the total sound radiated in all directions by the speaker. Therefore, methods for measuring the total sound radiated by the speaker must be developed. Current speaker measurements in anechoic chambers do not reveal this aspect of a speaker's performance. More difference experiments must be done to determine more accurately how the reverberant sound in a room affects the quality of the sound we hear.

The new state of the art

By recognizing the importance of reflected sound, and the use of a multiplicity of a small loudspeakers with electronic equalization, a new step forward has been made in the design of loudspeaker systems.

R-E

Experiment with

10 Emitter-Coupled Circuits

by **ROBERT L. PETROWSKY**

THE BASIC PRINCIPLE OF EMITTER COUPLING is used in a large number of highly useful circuits. They are divided into two classes, linear and switching. First we'll look into how emitter-coupled circuits work. Then we'll present ten practical circuits for you to try.

A basic emitter-coupled circuit is shown in Fig. 1. Note that common-emitter resistor R3 is much larger than R1 and R2 or the internal emitter impedances of transistors Q1 and Q2. Resistor R3 is usually 1,000 to 10,000 ohms; R1 and R2 are 50 to 100 ohms, and the internal emitter impedances are 10 to 50 ohms. (R1 and R2 eliminate transistor unbalances and increase input impedance. However, they are often eliminated, since they do reduce circuit gain.) Emitter supply voltage V_{EE} is also much larger than base input voltages V_{B1} and V_{B2} .

As a result total current through both transistors is constant and depends on common-emitter resistor R3 and emitter supply voltage V_{EE} . (Constant current = $I_K = V_{EE}/R3$.)

This constant current is split between Q1 and Q2 in a proportion which depends on the difference in base voltages, $\Delta V_B = V_{B1} - V_{B2}$. ΔV_B is called the differential input voltage. A graph showing the emitter current of each transistor versus the differential base voltage is in Fig. 2.

It shows that emitter currents always add up to constant current I_K , which is 1.5 mA here. When the differential input voltage is zero (i.e., when base voltages are equal), emitter currents of Q1 and Q2 are equal at half the constant current (point P).

As the differential input voltage increases from zero to about 50 mV, the curve is linear. Linear emitter coupling operates in this region (between points B and C). As the differential input exceeds 50 mV, the curve becomes nonlinear. Between 100 mV and 200 mV, one transistor is cut off and the other conducts the constant current. This is the switching class of emitter coupling (between points A and D). So, the basic circuit is linear for signals up to 50 mV and a switch and limiter for inputs above 150 mV.

When the circuit is used in a linear mode, it is called a differential amplifier. It is adaptable to gain-controlled amplification of dc, audio, video and high frequencies into the vhf

region. Linear integrated circuits (IC's) for various applications including operational amplifiers for analog computing and special circuit functions are built largely around differential amplifiers.

When used in a switching mode, the circuit is called an emitter-coupled switch and is responsible for emitter-coupled logic (also called current-mode or current-switching logic). It eliminates transistor storage time and

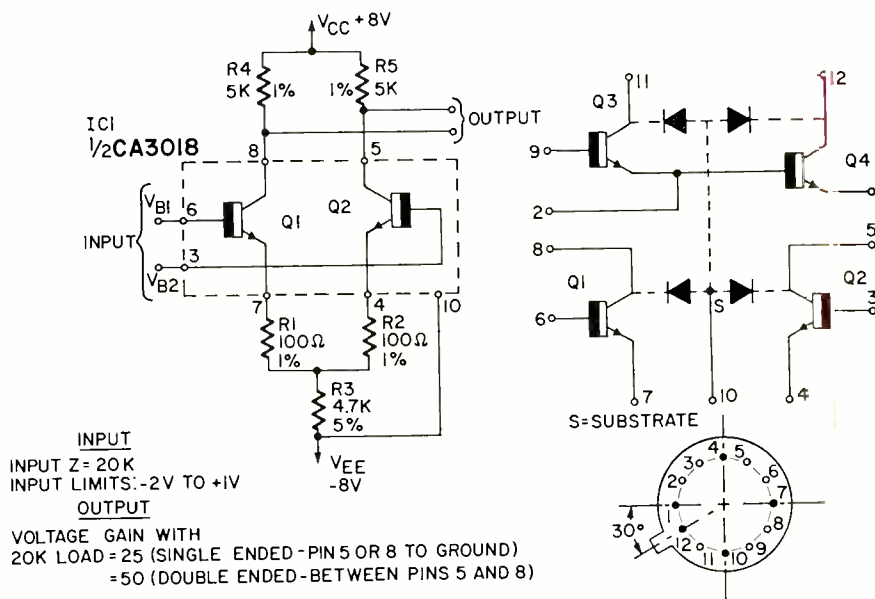


Fig. 1—Basic emitter-coupled differential amplifier is suitable for audio, video or dc. Total current through Q1 and Q2 is constant, but splits between them depending on the difference between the base voltages (ΔV_B).

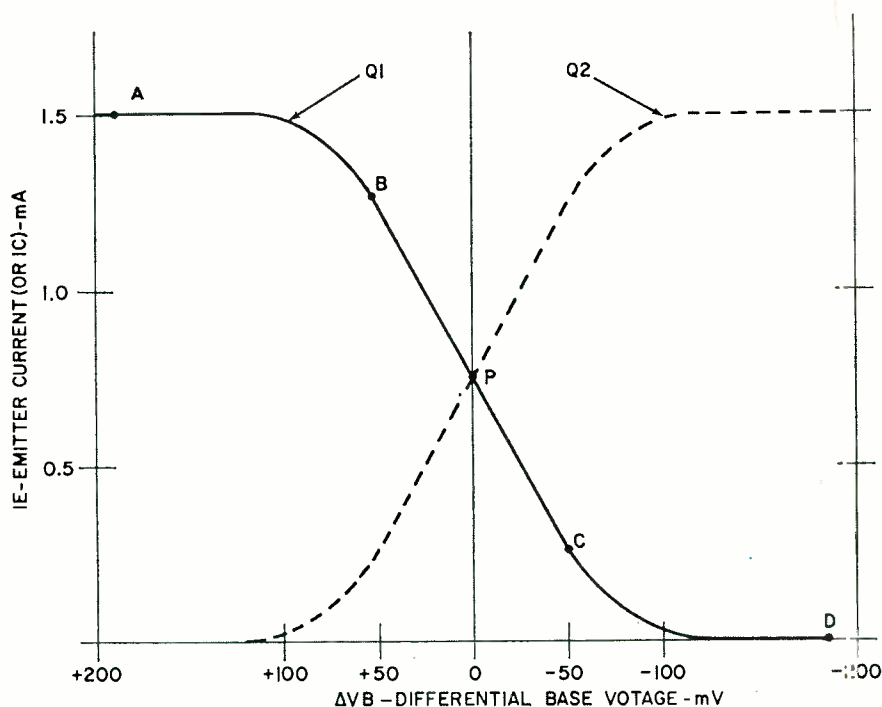


Fig. 2—Graph of Q1's and Q2's emitter current against changes in their base voltages shows emitter currents always total 1.5 mA. Circuit of Fig. 1 is a linear amplifier for signals up to 50 mV (points C to B). Between 150 and 200 mV, one transistor cuts off and the other carries the full current.

implements some of the highest-speed gates, flip-flops, one-shots and Schmitt triggers.

Three differential amplifiers

A general-purpose differential amplifier was shown in Fig. 1. It has a 20,000-ohm input impedance and a voltage gain of 50 for dc, audio and video. Base input voltages must be restricted to the +1-volt to -2-volt range.

A big drawback of differential amplifiers is the need for expensive matched transistors to prevent circuit unbalances. With IC's it is possible to get a pair of matched transistors along with two transistors with a common base and emitter terminal in one TO-5 can. The RCA CA3018 transistor array is a working available unit.

An unwanted dc level or noise voltage common to both inputs of a differential amplifier is called a common-mode voltage. The amplifier's ability to reject a common-mode voltage and amplify only the differential input voltage ($\Delta V_B = V_{B1} - V_{B2}$) depends on how good a constant-current source $R3$ and V_{EE} make. Making $R3$ and V_{EE} larger makes for a better constant-current source and improves the common-mode rejection. However, $R3$ and V_{EE} soon reach impractical sizes.

A solution to this is shown in Fig. 3, where the common-emitter resistor and emitter supply are replaced by transistor Q3. Since a transistor's collector is an excellent constant-current source, the common-emitter resistor has effectively been increased to a very large value without increasing emitter supply voltage V_{EE} . The noise rejection in Fig. 3 is much better than that of Fig. 1.

By modifying the circuit of Fig. 3, you get gain control. Returning to Fig. 2 for a moment, you can see that the constant current determines the slope of the curve in the linear region. If the constant current is increased, the slope of the curve also increases. For example, if instead of a constant current of 1.5 mA as shown, the constant current was 3 mA, the slope would double.

The slope of the curve represents the transconductance of the amplifier. The gain is the collector load times the transconductance. Therefore, you can change the gain of the amplifier by simply changing the constant current. (See Fig. 4-a).

Constant-current transistor Q3 varies the current supply. Bias resistor R6 returns to a control voltage instead of 8 volts. Various control terminal voltages and the corresponding cir-

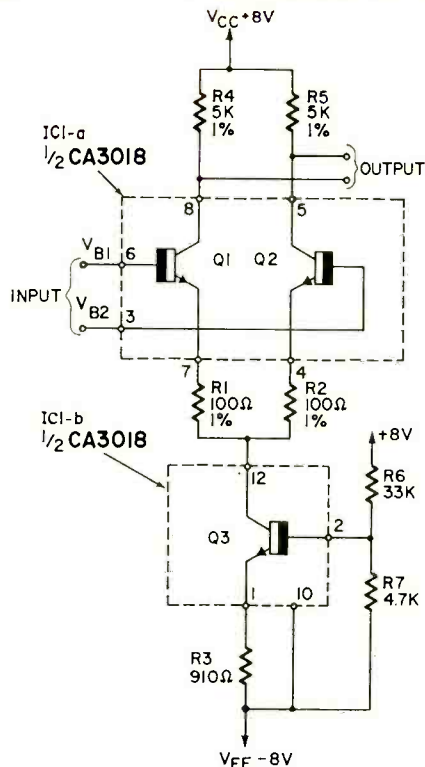


Fig. 3—Modification to circuit in Fig. 1 reduces common-mode voltage (noise) of the inputs. Q3 is a constant-current source, effectively increasing R3 to high value.

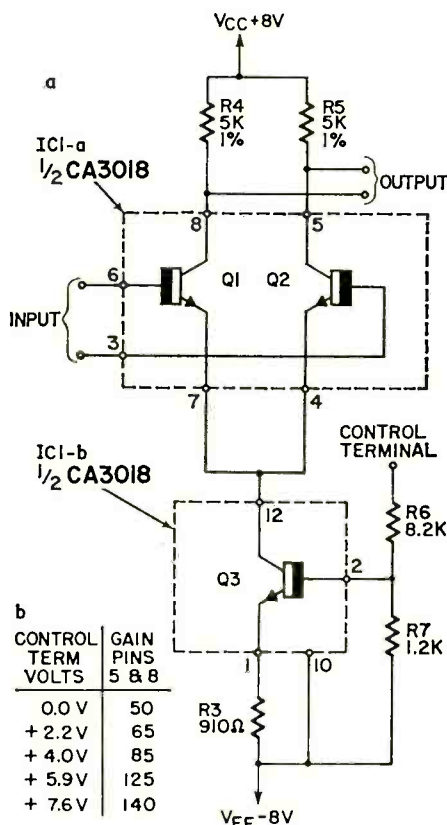


Fig. 4-a—Change in differential amplifier gain is accomplished by varying bias of Q3, which alters Q1-Q2 current. b—Control voltage effect on circuit gain.

circuit gains are in Fig. 4-b. Independent emitter resistors R1 and R2 of Figs. 1 and 3 have been eliminated, since they reduce the gain-control effect as well as overall circuit gain.

Operational amplifier applications

One of the most useful applications of differential amplifiers is as operational amplifiers (see RADIO-ELECTRONICS, May 1968, for general theory on operational amplifiers). Originally used in analog computers, operational amplifiers are being used to generate all kinds of special circuit functions.

Two cascaded differential amplifiers make up the operational amplifier of Fig. 5 which provides a gain of 600. In the first stage a transistor current source rejects common-mode voltages. The effect of common-mode voltages is further reduced by feedback from the common-emitter resistor ($R1 + R2$) of the second differential amplifier to current-source transistor Q3 of the first stage.

The output at Q5's collector is an amplified version of the differential input voltage but is riding on a +6-volt dc level. Transistor Q6, an emitter follower; Q7 a current source, and Q8, the output emitter follower, act as a level translator and amplifier with a gain of 2. Q7 shifts the output dc level to ground by the drop of its constant current across R8. Offset adjust R14 sets the bias on Q7 and consequently the current supplied to R8. To set this control, ground both amplifier inputs and measure the output voltage. Set R14 so that the output reads exactly zero volts.

Transistor Q8 via emitter resistor R10 (in common with Q7) provides a gain of 2 and a low output impedance. Overall circuit gain is 1200 and output impedance is 150 ohms.

This unit will cost about \$9 for parts. Most resistor tolerances are 2% to keep dc levels and the maximum plus and minus output level swings the same. Wider tolerance resistors will degrade the amplifier's performance. Building this amplifier, and using it in the circuits of Figs. 6 through 9, gives a good grasp of operational amplifier techniques. Most of these amplifiers are similar in design, although an additional differential amplifier stage is usually used.

A voltage follower is shown in Fig. 6. This circuit transforms a high-impedance source to a low-impedance source. It is useful when you do not want to load a source such as a reference battery. A mercury battery, with long shelf life, provides an accurate 1.35 volts. You get long life too, since

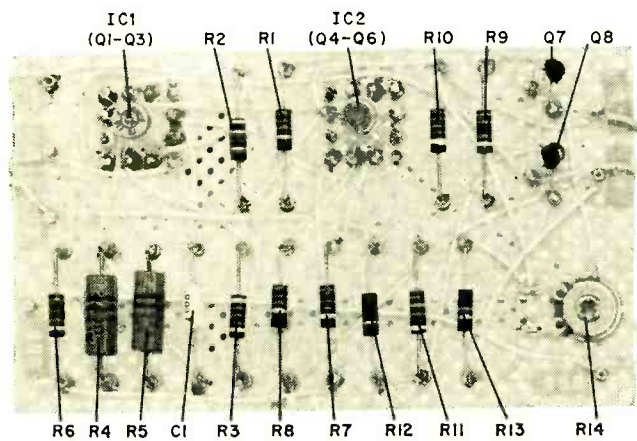
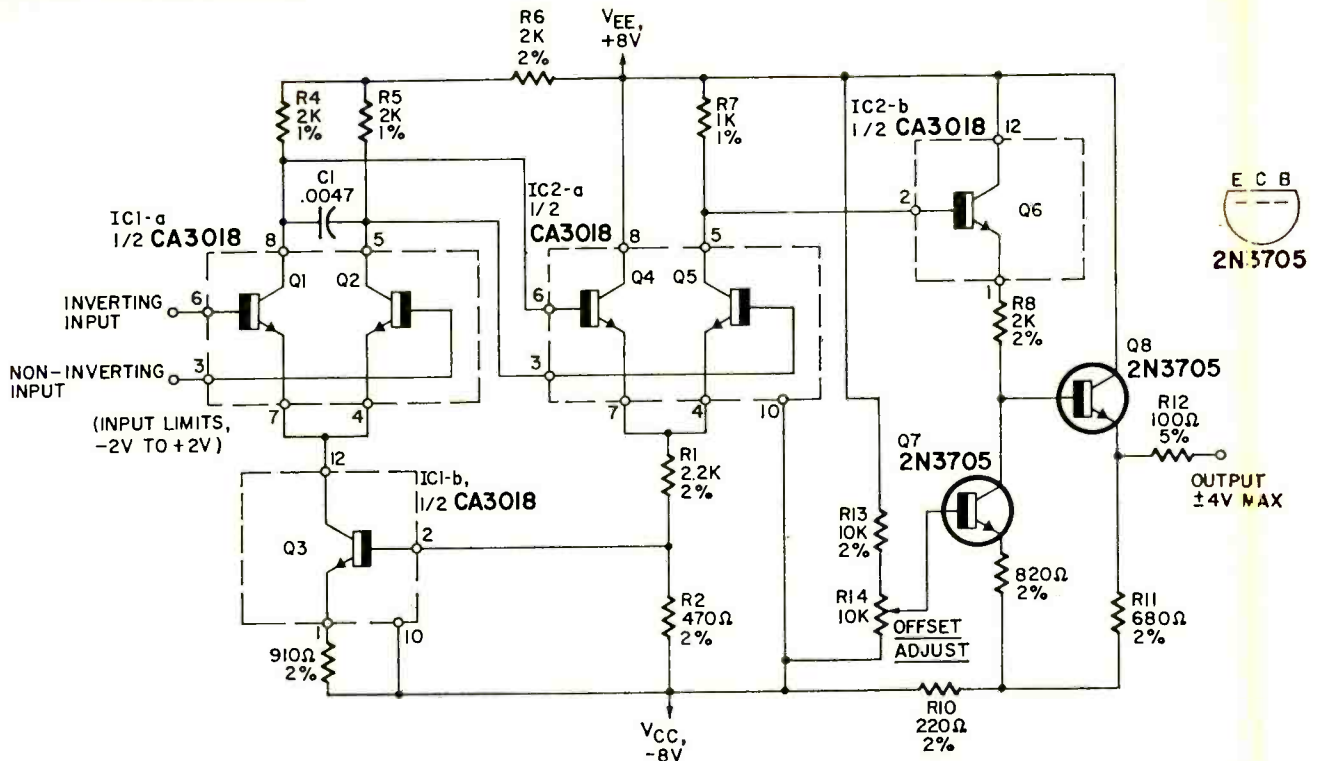


Fig. 5 (photo and drawing above) —Operational amplifier is formed with two IC amplifiers. Transistors Q7 and Q8 are connected to the IC (Q1-Q6), for gain of 1200. The +8 and -8V terminals should be marked V_{CC} and V_{EE} respectively.

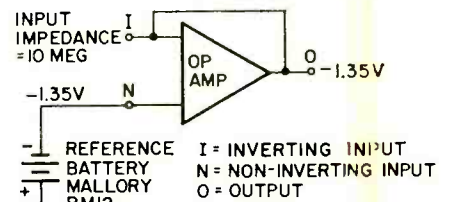


Fig. 6—Used as a voltage follower, the CA3018 provides a very high input impedance and low battery drain. Application prevents loading of reference battery.

voltage-follower battery drain is negligible. Feedback increases the amplifier's effective input impedance to around 10 megohms.

In any feedback amplifier runaway oscillation is possible. This occurs because an amplifier shifts phases as well as increases signal amplitudes. The higher the frequency the greater the phase shift. If feedback has a wide enough bandwidth, phase shift back to the input at some frequency reaches 360° and the circuit oscillates.

The voltage follower is most susceptible to oscillation since all the output is fed back to the input. To correct this situation we use phase compensation with specially placed RC networks to reduce the amplifier's gain at higher frequencies.

The phase compensation is simply capacitor C1 placed across the output of the first stage (see Fig. 5). As frequency increases, gain decreases, so there is less than unity gain for fre-

quencies shifted 360°. The 3 dB frequency of this circuit is about 100 kHz.

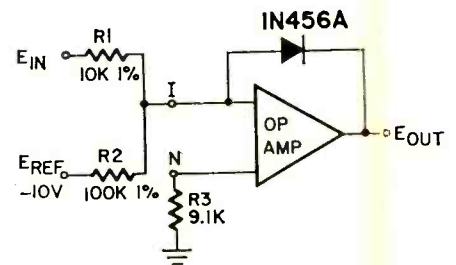
A voltage comparator which provides a +4V output when the input, E_{IN} , is below a certain comparison level and zero volts when the input is above a certain comparison level is in Fig. 7. By changing the ratio of R1 and R2 and by changing the reference voltage, E_{REF} , the comparison level can be adjusted.

$$E_{OUT} = 4 \text{ volts when } E_{IN} \text{ is less than } -\frac{R1}{R2} E_{REF}$$

$$E_{OUT} = 0 \text{ volt when } E_{IN} \text{ is greater than } -\frac{R1}{R2} E_{REF}$$

An analog adder, elementary in analog computers, is in Fig. 8. Its output is the inverted sum of the three input voltages. R4 is again for drift compensation.

An interesting precision low-level



$$E_{OUT} = +4V \text{ WHEN } E_{IN} < +IV$$

$$E_{OUT} = 0V \text{ WHEN } E_{IN} > +IV$$

$$E_{OUT} = +4V \text{ WHEN } E_{IN} < -\frac{R1}{R2} E_{REF}$$

$$E_{OUT} = 0V \text{ WHEN } E_{IN} > -\frac{R1}{R2} E_{REF}$$

Fig. 7—Clamped voltage comparator use of an operational amplifier. Output is 4 volts when input is below a specified comparison level, and 0 volts when input is above a certain comparison level.

rectifier for accurately rectifying low-level ac signals (in an ac millivolt meter, for example) is shown in Fig. 9. The intrinsic diode drop prohibits ac-

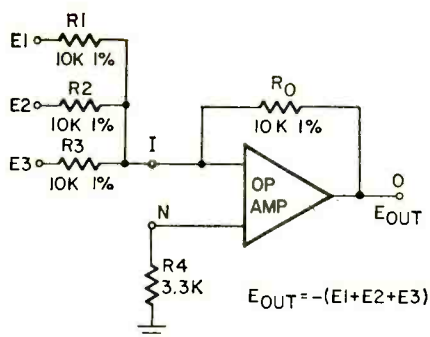


Fig. 8—Operational amplifier used as an adder to sum analog voltages. Output is the inverted sum of input voltages. R4 provides drift compensation.

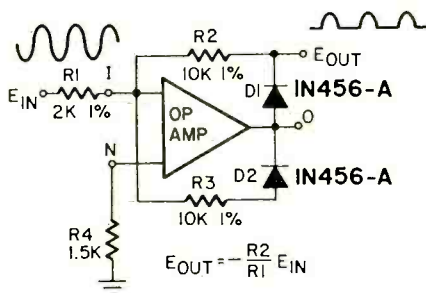


Fig. 9—Precision low-level rectifier can be used in ac millivolt meter. The op amp output is positive on the negative excursion, causing D1 to conduct through R2. On positive cycle, D2 conducts.

curate rectification with diodes at millivolt levels.

On the negative input excursion, E_{IN} , the operational amplifier output, goes positive, causing diode D1 to conduct through R2. On the positive input excursion D2 conducts through R3. The output at the junction of R2 and

D1 is an accurate half-wave rectification of the input. It is also amplified and inverted in phase.

$$E_{OUT} = -\frac{R_2}{R_1} E_{IN} \text{ (half-wave)}$$

$$= -5 E_{IN}$$

R4 again is used in the circuit for drift compensation.

Two logic circuits

Up to now we've been dealing with linear mode of emitter coupling where the output voltage is proportional to the input. In the switching mode the constant current supplying the emitters goes through one side of the circuit and the other side is cut off.

An emitter-coupled gate circuit is shown in Fig. 10. If both E1 and E2 are 1 volt, Q1 and Q2, which represent one side of the circuit, are cut off and the constant current flows through Q3. If either E1 or E2 is -1 volt, the constant current flows through the Q1, Q2 side of the circuit, Q3 being cut off.

The levels at the collectors are shifted by D1, R1 and R2 or D2, R3 and R4 so that the output levels are either -1 volt or +1 volt. These voltage levels (logic levels) are typical of emitter-coupled logic and Fig. 10 is a basic building block for logic circuits. This circuit can be directly cascaded with others like it or made into a flip-flop.

It is an AND gate for positive

inputs and an OR gate for negative inputs. Since the output is from transistors, it is actually a buffered (amplified) AND or OR gate. Since complementary (opposite-phase) logic signals are available at opposite collectors, it is a NAND or NOR gate too, depending on how it's used.

Its single greatest advantage is its high speed. Collector loads are chosen so that the transistors do not saturate. This eliminates transistor storage time, a major factor which slows saturated logic circuits. The transistors used (2N2258's) are specially made for emitter-coupled logic circuits.

The gate in Fig. 10 and the Schmitt trigger of Fig. 11 have no storage times, and rise and fall times of about 5 nsec. The Schmitt trigger is used as a square-wave generator by driving it with a sinusoidal input up to 50 MHz, or as a level detector. When input E_{IN} goes positive, Q1 turns on. R2 is set so the circuit switches to Q2. As E_{IN} drops below zero, Q2 turns off and Q1 turns on. R2 is set so the circuit switches at zero volts. **R-E**

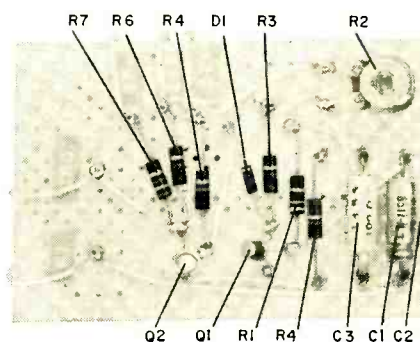


Fig. 11, photo (and drawing below right) —Emitter-coupled circuit used as a Schmitt trigger. Sinusoidal inputs up to 50 MHz produce a square wave output.

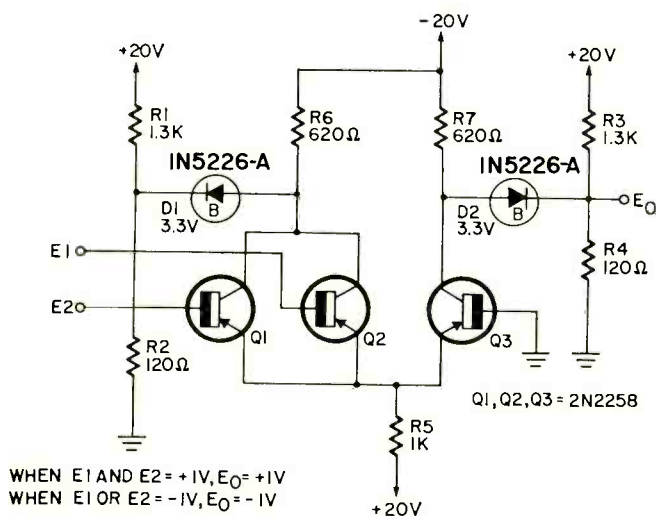
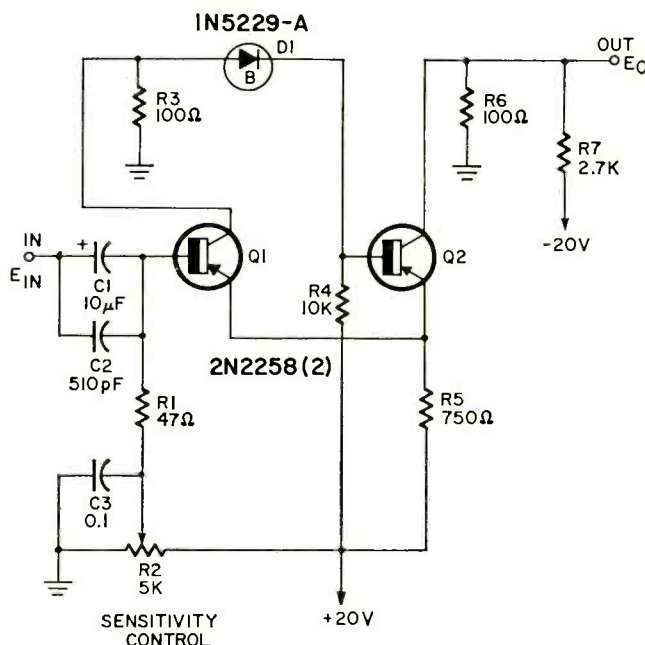


Fig. 10—Switching mode operation of emitter-coupled circuit uses cutoff portion of transfer curve (see Fig. 2). Voltage inputs at E1, E2 determine the high-speed logic mode of the circuit.



In-Circuit Testing Techniques

SYLVANIA TECHNICAL STAFF

The video section of a typical TV chassis uses a two-stage amplifier (see Fig. 1). The first stage (emitter follower) provides a high impedance to the video detector output. The audio i.f. at 4.5 MHz as well as video for the age keyer are taken off here. Wide video response is improved by dc coupling to Q212's base. The test point is handy for checking detected signals prior to amplification. The gain of this stage is adjusted with R244, which compensates for transistor gain variation. This in turn adjusts the bias at Q210 via the dc coupling voltage division of bias potentiometer R242, R240, R250, and the 15-volt bus. The collector circuit provides low-frequency video to the age keyer for developing age. The collector of Q212's video output provides video to the picture tube and the sync separator.

Since forward bias for Q210 is adjustable and its emitter is coupled to the

base of Q212, the video output, the adjustment also affects the condition of Q212. When the i.f. stages provide an output the detector conducts on negative peaks and passes through the base biasing resistors of Q210. This causes a drop in opposition to the biasing voltage, thereby reducing stage conduction. The effect of this voltage opposition must be removed to adjust the video bias control accurately. Too low a setting will cause limiting of picture highlights and too high a setting will cut the gain of the system.

In servicing, signal injection or an rf probe and signal tracing are used to locate the defective stage. The specific technique will vary with the technician and the equipment available. Preliminary voltage checks on these stages may even eliminate the need for further signal tracing.

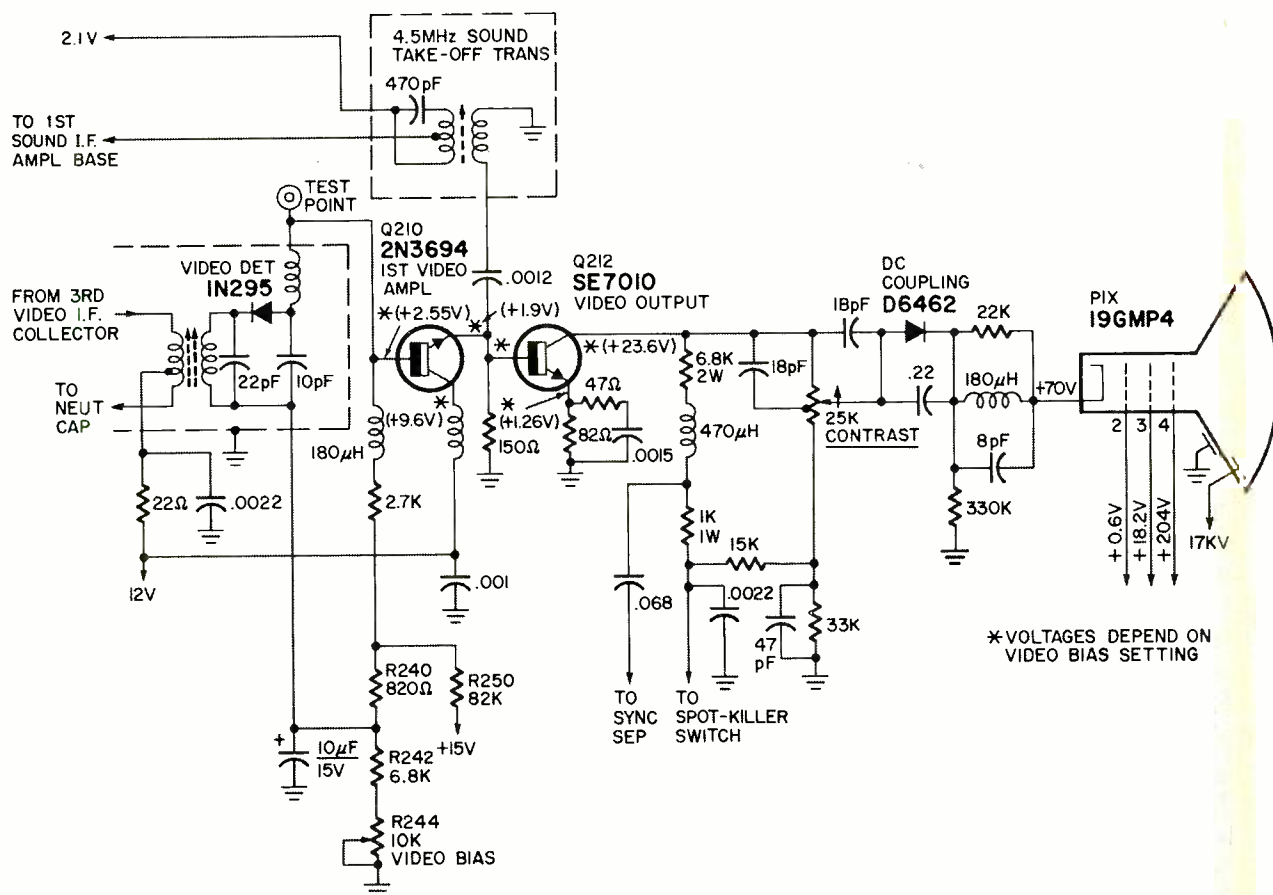
Once the defective stage or stages have been located, they can be analyzed by evaluating dc voltages.

Voltage measurements will disclose many circuit defects that may have upset the normal currents in these stages. The base and emitter voltages should be carefully checked and compared to the schematic with no signal voltages present. (The tuner is set for no-signal input by rotating between channels, and the no-signal bias should remain on the i.f. age bus.)

The collector voltage may also provide important clues, for example, 12 volts is indicative of a nonconducting stage. Components such as open collector resistors or shorted capacitors may also affect voltage readings.

In-circuit testing

In-circuit transistor testing techniques are applied to the i.f. transistors by monitoring the transistor collector voltage. If it is lower than the supply voltage (12 volts), the transistor is conducting. Then, while monitoring the col-



with the positive lead on the base.

With the negative lead on the base you should read a high resistance.

At least two leads must be disconnected from the circuit to check a transistor accurately with an ohmmeter.

Remember to reverse leads when making resistance checks. The reading should be the same both ways. A different reading probably means a transistor junction is affecting your reading.

Small-signal transistors generally have 1 to 5 current in the emitter circuit.

The voltage across the emitter resistor should be about the same as the resistor value in K ohms if 1ma is being drawn through it. For example: A 4,700-ohm resistor will drop 4.7 volts at 1 of current.

These are general rules. There are exceptions in almost every set.

Troubleshooting the video i.f.

To judge the performance of the i.f. system take a look at the video waveform at the video detector load resistor with a good scope. The waveform should be of proper amplitude and the sync pulse should represent 25% of the total signal amplitude. If this signal is incorrect, the problem could be in the video i.f., age, video detector or first

video amplifier stage.

The possibility of the age system (Fig. 2) being a source of trouble should be investigated first, depending, of course, on the symptoms available. Begin by removing any age developed by the set and inserting a bias supply. A source of positive age bias can be obtained by connecting a 30K resistor to the 50K potentiometer between the plus 11.5 volt bus and chassis. Connect the arm of the potentiometer to the i.f. age buss. This makes available a variable positive age voltage which can be set to any desired value. With the tuner off channel and no input signal to the set adjust the bias so the i.f. noise signal will not change the video amplifier control bias. Set the video bias under no-signal condition to about 2 volts (or as specified in the service data). The video bias should be able to swing above and below its nominal value by at least 0.5 volt. If this is not possible, there is trouble in the age system and should be investigated. If no output is obtained then the fault is probably in the video i.f. stages or the video detector. If an output

is seen on the scope but there is no snow on the screen, check the video amplifiers.

Isolating the stage can be difficult or easy depending on what is causing the trouble. A few preliminary checks may make it easy. Measure the collector voltage on all the affected stages to determine if one is low, high, or missing entirely. Frequently, several "suspect" stages are supplied from the source and all may be without power. If all the stages have proper collector voltages, there are two ways to go. The easiest way will depend upon experience with the problem.

The third and proven way is signal injection. Starting at either end of the circuit under suspicion, inject the proper type signal into the base and collector of each stage. When the signal disappears (or appears going toward the input) you have located the defective stage. Note that the output (which can be observed on the CRT or by listening to the speaker) gets stronger as you approach the front end.

If you are familiar with the set under test, direct measurements of each stage provide another approach. Experienced technicians generally make two preliminary checks on each stage and then proceed to the next. Since the suspected stages are usually few and often easily located, these checks are done rapidly.

Measure emitter-junction bias first. This is easily and accurately done by placing the meter leads directly between the emitter and base. Proper polarity for the bias and the meter leads is easily determined.

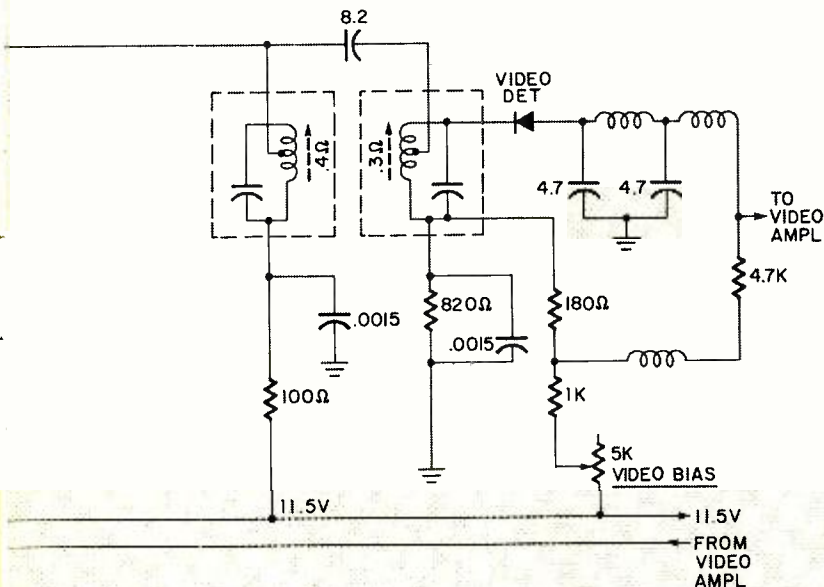
The proper voltage across the emitter junction in a transistor will be the same in almost all cases. All silicon transistors will have about 0.7 volt and all germanium types will have about 0.2 volt. This is true for both npn and pnp types.

After detecting an incorrect voltage, evaluate the circuit and determine the reason. Incorrect emitter-junction bias almost always means a faulty transistor. If the bias voltage is high, the transistor will often be bad though perhaps from another cause.

If the bias seems to be normal, measure base and emitter voltages separately. Even with proper bias the transistor may not be drawing enough current. A good rule of thumb is that all transistors in a given section will draw about the same current.

Low voltage, low current and the resultant low heat will make components in transistor sets last longer. They will generally have as good a life as most resistors. The electrolytics (used profusely in transistor equipment) will probably be most troublesome and the transistors should be suspected along with all the other components.

R-E



You can build these 16 Speaker Enclosures

by ABRAHAM B. COHEN†

DESPITE THE QUANTITIES OF LOW-COST, ASSEMBLED LOUD-speaker systems on the hi-fi market, do-it-yourself projects are still very popular. If you're planning such a project, your choice of a loudspeaker enclosure should take several factors into account: performance, cost, size, appearance and expandability.

The speaker system should be installed in the room where your family does most of its "living," and the space available in this room will influence your selection.

The table below and the following figures describe 16 enclosures whose construction information was supplied by six leading loudspeaker manufacturers. The enclosures selected vary in size and may be installed in room dividers, hung from walls, inserted in alcoves and placed on counters or desks. Larger enclosures, which are regaining some of their early popularity, may be built as floor furniture pieces.

To simplify construction, the manufacturer's original external design is not included. The builder can select the enclosure's exterior appearance to match room furniture. Several of the systems shown are expandable or include adapter boards. This permits either an 8-, 12- or 15-inch speaker, for example, to be installed without major changes in the enclosure.

Expandable systems minimize obsolescence, enabling you to increase the audio "fullness" of the system as your budget permits.

Optimum performance will be obtained only if the

proper lumber is carefully assembled. Here are a few construction tips.

Plywood of 3/4-inch thickness should be heavily glued at all mating surfaces. When joints are clamped or screwed together, surplus glue should seep out along its entire length. Small glue blocks are often used to reinforce interior edges of the panels. Apply glue to surfaces between the blocks and panel, and secure the blocks to both panels with screws.

Bass-reflex and infinite-baffle enclosures must be especially rigid to avoid distortion and loss of bass response. Use at least four good-sized screws along each edge of the rear panel. At least 1 inch of sound-insulation material should be applied to all interior surfaces in any enclosure. Large panels may require diagonal cross-braces to minimize vibrations, and a cross-strut can be used between large surfaces.

Make sure the speaker mounting panel is very flat, especially where the speaker is mounted. If possible, make the front panel thicker than the others.

If wood screws are used to mount the speaker, drill small guide holes and drive the screw in carefully. A better method of speaker mounting is with machine bolts and T-nuts, which are pressed into a hole in the baffle board.

Avoid grille cloth material that is acoustically opaque, as this will ruin high-frequency response. The cloth should be loosely woven—at least 50% of its area should be open space. Tighten and secure the cloth to the back side of the panel.

R-E

SYSTEM	FIG.	WOOFER	MIDRANGE	TWEETER	ENCLOSURE TYPE	CU. FT.	DIMENSIONS	MANUFACTURER	PRICE SPEAKER(S) ONLY*
DOUBLY EXPANDABLE SYSTEM	1	← 12 →			TUNED DUCT	7.4	35" x 24" x 16"	UNIVERSITY SOUND	\$ 20
BASS EXPANSION	1	15	(12 →)		TUNED DUCT	7.4	35" x 24" x 16"	UNIVERSITY SOUND	\$115
TREBLE EXPANSION	1	15	12	HORN	TUNED DUCT	7.4	35" x 24" x 16"	UNIVERSITY SOUND	\$155
DOUBLY EXPANDABLE SYSTEM	2	← 8 →			TUNED DUCT	3.4	29" x 19" x 12"	UNIVERSITY SOUND	\$ 20
BASS EXPANSION	2	12	(8 →)		TUNED DUCT	3.4	29" x 19" x 12"	UNIVERSITY SOUND	\$ 45
TREBLE EXPANSION	2	12	8	CONE	TUNED DUCT	3.4	29" x 19" x 12"	UNIVERSITY SOUND	\$ 60
2 SPEAKER - 2 WAY	3	(15 →) (← HORN)			BASS REFLEX	7.5	36" x 23" x 17"	ALTEC-LANSING	\$150
3 SPEAKER - 2 WAY	4	2(15 →) (← HORN)			BASS REFLEX	16.0	40" x 36" x 21"	ALTEC LANSING	\$240
3 SPEAKER - 3 WAY	5	15	8	HORN	TUNED DUCT	4.35	28" x 21" x 14"	UNIVERSITY SOUND	\$160
3 SPEAKER - 3 WAY	6	15	8	CONE	TUNED DUCT	5.75	31" x 22" x 16"	UNIVERSITY SOUND	\$140
1 SPEAKER - 2 WAY INTEGRATED	7	(15 →)		CONE(2)	INFINITE BAFFLE	4.65	22" x 22" x 18"	BOZAK	\$100
2 SPEAKER - 3 WAY	7	15	8	CONE(2)	INFINITE BAFFLE	4.65	22" x 22" x 18"	BOZAK	\$155
2 SPEAKER - 2 WAY	8	(12 →)		HORN	BASS REFLEX	3.4	24" x 19" x 14"	ALTEC-LANSING	\$ 90
3 SPEAKER - 2 WAY	9	2(8 →)		HORN	INFINITE BAFFLE	2.7	26" x 14" x 14"	ALTEC-LANSING	\$105
3 SPEAKER - 3 WAY	10	15	8	CONE	TUNED DUCT	7.3	34" x 29" x 14"	JENSEN	\$130
2 SPEAKER - 2 WAY	11	12	8	HORN	TUNED DUCT	1.8	25" x 14" x 10"	JENSEN	\$100
4 SPEAKER - 3 WAY	12	2(12)	8	CONE(8)	INFINITE BAFFLE	8.7	41" x 25" x 16"	BOZAK	\$320
2 SPEAKER - 2 WAY	13	(8 →)		HORN	TUNED DUCT	1.25	24" x 14" x 7"	ELECTRO-VOICE	\$ 50
2 SPEAKER - 2 WAY	13	(12 →) MECHANICAL		HORN	TUNED DUCT	4.00	28" x 18" x 15"	ELECTRO VOICE	\$ 70
3 SPEAKER - 3 WAY	13	15	HORN	HORN	TUNED DUCT	13.00	50" x 34" x 15"	ELECTRO-VOICE	\$155
2 SPEAKER - 2 WAY	14	(10 →)		HORN	TUNED DUCT	2.3	21" x 16" x 13"	J. B. LANSING	\$170
2 SPEAKER - 2 WAY	14	(12 →)		HORN	TUNED DUCT	2.3	21" x 16" x 13"	J. B. LANSING	\$190
2 SPEAKER - 2 WAY	14	(15 →)		HORN	TUNED DUCT	2.3	21" x 16" x 13"	J. B. LANSING	\$220
2 SPEAKER - 2 WAY	15	(10 →)		HORN	INFINITE BAFFLE	1.5	23" x 11" x 11"	ALTEC-LANSING	\$ 95
2 SPEAKER - 2 WAY	16	(15 →)		HORN	15" PASSIVE RADIATOR	5.75	35" x 24" x 13"	J. B. LANSING	\$345

† From *Hi-Fi Loudspeakers and Enclosures*, by Abraham B. Cohen, Hayden Book Co., Inc., Copyright © 1956, 1968.

*Add cost of enclosure and, for multiple-speaker systems, crossover networks. Manufacturers can provide crossovers and details.

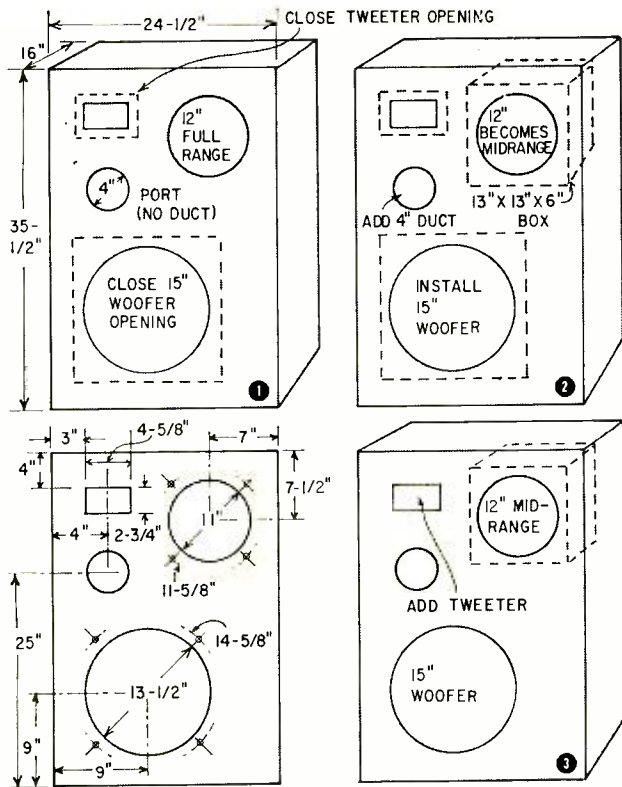


Fig. 1—A doubly expandable, tuned-duct University system. Start with 12" model M12 wide-range speaker (1). Add 15" C15HC woofer to extend bass response (2), and a HF206 tweeter (3). Note boxing of 12" speaker and duct.

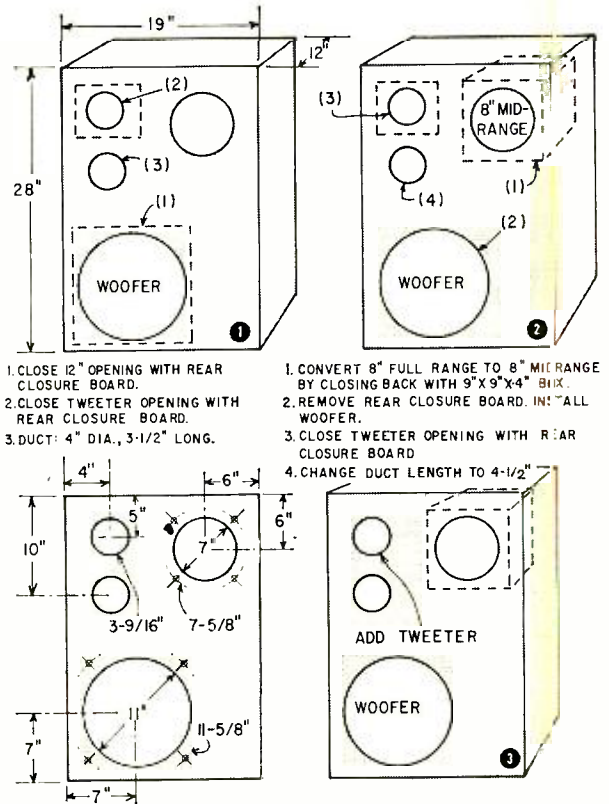


Fig. 2—Another University system, similar to Fig. 1, starts with an 8" MSD wide-range speaker (1), using a duct. If a 12" M12 woofer is added (2), duct length is changed. The addition of MS tweeter (3) extends response of system.

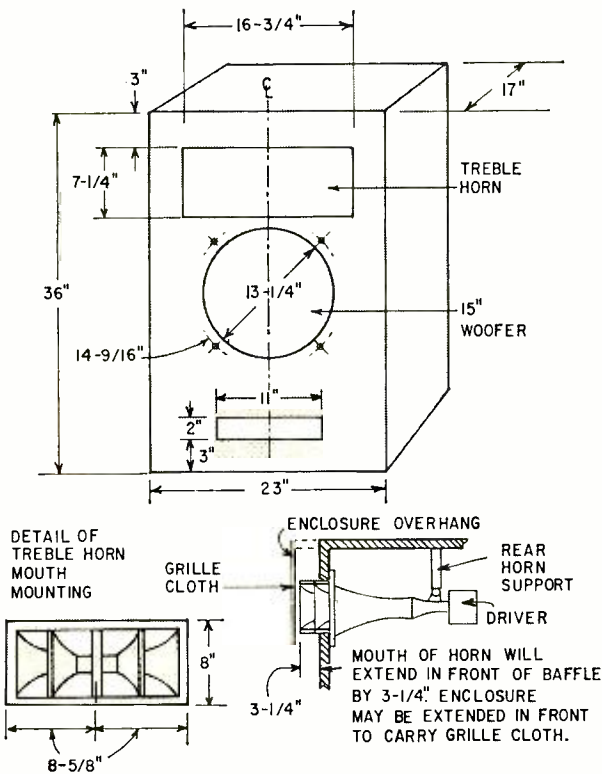


Fig. 3—A 2 speaker-2 way Altec-Lansing bass reflex system. Use a 15" 416A woofer, 811 treble horn with a 806A driver.

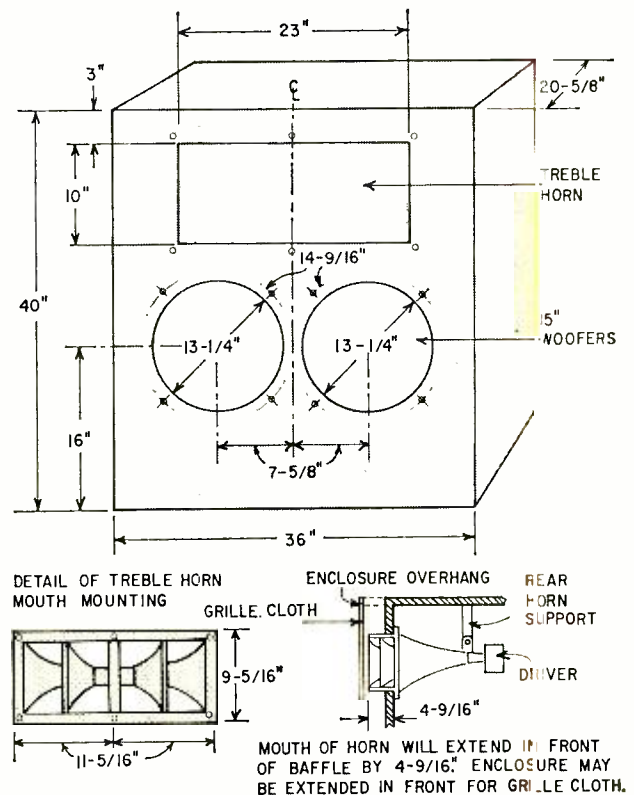


Fig. 4—This infinite baffle Altec-Lansing system uses two 416A woofers. Use 511B treble horn with 802D driver.

One of our students wrote this ad!

Harry Remmert decided he needed more electronics training to get ahead. He carefully "shopped around" for the best training he could find. His detailed report on why he chose CIE and how it worked out makes a better "ad" than anything we could tell you. Here's his story, as he wrote it to us in his own words.

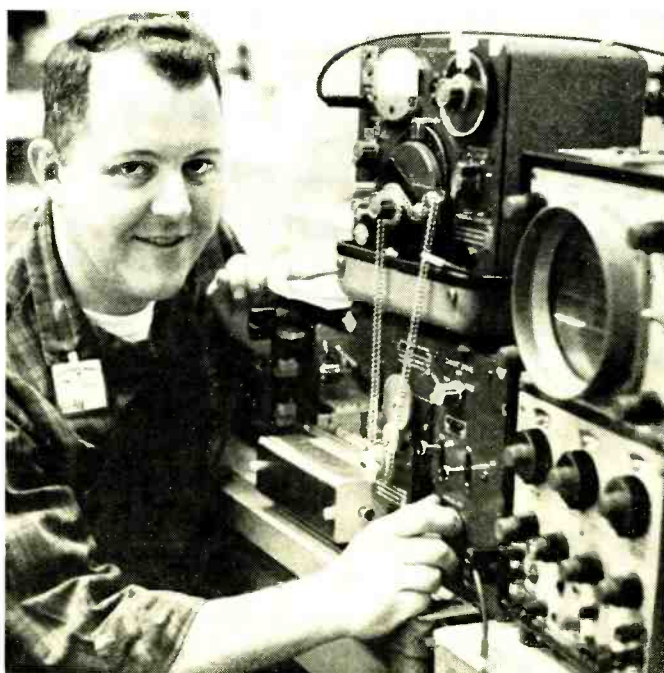
By Harry Remmert

AFTER SEVEN YEARS in my present position, I was made painfully aware of the fact that I had gotten just about all the on-the-job training available. When I asked my supervisor for an increase in pay, he said, "In what way are you a more valuable employee now than when you received your last raise?" Fortunately, I did receive the raise that time, but I realized that my pay was approaching the maximum for a person with my limited training.

Education was the obvious answer, but I had enrolled in three different night school courses over the years and had not completed any of them. I'd be tired, or want to do something else on class night, and would miss so many classes that I'd fall behind, lose interest, and drop out.

The Advantages of Home Study

Therefore, it was easy to decide that home study was the answer for someone like me, who doesn't want to be tied down. With home study there is no schedule. I am the boss, and I set the pace. There is no cramming for exams because I decide when I am ready, and only then do I take the exam. I never miss a point in the lecture because



Harry Remmert on the job. An Electronics Technician with a promising future, he tells his own story on these pages.

it is right there in print for as many re-readings as I find necessary. If I feel tired, stay late at work, or just feel lazy, I can skip school for a night or two and never fall behind. The total absence of all pressure helps me to learn more than I'd be able to grasp if I were just cramming it in to meet an exam deadline schedule. For me, these points give home study courses an overwhelming advantage over scheduled classroom instruction.

Having decided on home study, why did I choose CIE? I had catalogs from six different schools offering home study courses. The CIE catalog arrived in less than one week (four days before I received any of the other catalogs). This indicated (correctly) that from CIE I could expect fast service on grades, questions, etc. I eliminated those schools which were slow in sending catalogs.

FCC License Warranty Important

The First Class FCC Warranty* was also an attractive point. I had seen "Q" and "A" manuals for the FCC exams,

*CIE backs its FCC License-preparation courses with this famous Warranty: graduates must be able to pass the applicable FCC License exam or their tuition will be refunded in full.

and the material had always seemed just a little beyond my grasp. Score another point for CIE.

Another thing is that CIE offered a complete package: FCC License and technical school diploma. Completion time was reasonably short, and I could attain something definite without dragging it out over an interminable number of years. Here I eliminated those schools which gave college credits instead of graduation diplomas. I work in the R and D department of a large company and it's been my observation that technical school graduates generally hold better positions than men with a few college credits. A college degree is one thing, but I'm 32 years old, and 10 or 15 years of part-time college just isn't for me. No, I wanted to *graduate* in a year or two, not just *start*.

If a school offers both resident and correspondence training, it's my feeling that the correspondence men are sort of on the outside of things. Because I wanted to be a full-fledged student instead of just a tagalong, CIE's exclusively home study program naturally attracted me.

Then, too, it's the men who know their theory who are moving ahead where I work. They can read schematics and understand circuit operation. I want to be a good theory man.

From the foregoing, you can see I did not select CIE in any haphazard fashion. I knew what I was looking for, and only CIE had all the things I wanted.

Two Pay Raises in Less Than a Year

Only eleven months after I enrolled with CIE, I passed the FCC exams for First Class Radiotelephone License with Radar Endorsement. I had a pay increase even before I got my license and *another* only ten months later. I'm getting to be known as a theory man around work, instead of one of the screwdriver mechanics.

These are the tangible results. But just as important are the things I've learned. I am smarter now than I had ever thought I would be. It feels good to know that I know what I know now. Schematics that used to confuse me completely are now easy for me to read and interpret. Yes, it is nice to be smarter, and that's probably the most satisfying result of my CIE experience.

Praise for Student Service

In closing, I'd like to get in a compliment for Mr. Chet Martin, who has faithfully seen to it that my supervisor knows I'm studying. I think Mr. Martin's monthly reports to my supervisor and generally flattering commentary have been in large part responsible for my pay increases. Mr. Martin has given me much more student service than "the contract calls for," and I certainly owe him a sincere debt of gratitude.

And finally, there is Mr. Tom Duffy, my instructor. I don't believe I've ever had the individual attention in any classroom that I've received from Mr. Duffy. He is clear, authoritative, and spared no time or effort to answer my every question. In Mr. Duffy, I've received everything I could have expected from a full-time private tutor.

I'm very, very satisfied with the whole CIE experience.

ENROLL UNDER NEW G.I. BILL

All CIE courses are available under the new G.I. Bill. If you served on active duty since January 31, 1955, or are in service now, check box on reply card or coupon for G.I. Bill information.

Every penny I spent for my course was returned many times over, both in increased wages and in personal satisfaction.

Perhaps you too, like Harry Remmert, have realized that to get ahead in Electronics today, you need to know much more than the "screwdriver mechanics." They're limited to "thinking with their hands"... learning by taking things apart and putting them back together... soldering connections, testing circuits, and replacing components. Understandably, their pay is limited—and their future, too.

But for men like Harry Remmert, who have gotten the training they need in the fundamentals of Electronics, there are no such limitations. As "theory men," they think with their heads, not their hands. For trained technicians like this, the future is bright. Thousands of men are urgently needed in virtually every field of Electronics, from two-way mobile radio to computer testing and troubleshooting. And with this demand, salaries have skyrocketed. Many technicians earn \$8,000, \$10,000, \$12,000 or more a year.

Send for Complete Information—FREE

Many men who are advancing their Electronics career started by reading our famous book, "How To Succeed In Electronics." It tells of the many electronics careers open to men with the proper training. And it tells which courses of study best prepare you for the work you want.

If you're "shopping around" for the training you need to move up in Electronics, this 44-page book may have the answers you want. We'll send it to you FREE. With it, we'll also include our other helpful book, "How To Get A Commercial FCC License."

To get both FREE books, just fill out and mail the bound-in postpaid card. If the card is missing, send the coupon below.

CIE Cleveland Institute of Electronics

1776 East 17th Street, Cleveland, Ohio 44114

Accredited Member National Home Study Council • A Leader in Electronics Training... Since 1934



NEW COLLEGE-LEVEL COURSE IN ELECTRONICS ENGINEERING

for men with prior experience in Electronics. Covers steady-state and transient network theory, solid state physics and circuitry pulse techniques, computer logic and mathematics through calculus. A college-level course for men already working in Electronics.

Cleveland Institute of Electronics
1776 East 17th Street, Cleveland, Ohio 44114

Please send me without cost or obligation:

1. Your 44-page book "How To Succeed In Electronics" describing the job opportunities in Electronics today, and how your courses can prepare me for them.
2. Your book on "How To Get A Commercial FCC License."

I am especially interested in:

- | | |
|--|--|
| <input type="checkbox"/> Electronics Technology | <input type="checkbox"/> Electronic Communications |
| <input type="checkbox"/> Broadcast Engineering | <input type="checkbox"/> Industrial Electronics and Automation |
| <input type="checkbox"/> First-Class FCC License | <input type="checkbox"/> Electronics Engineering |

Name _____ (PLEASE PRINT)

Address _____

City _____

State _____ Zip _____ Age _____

Check here for G.I. Bill information. RE-58

Circle 28 on reader service card

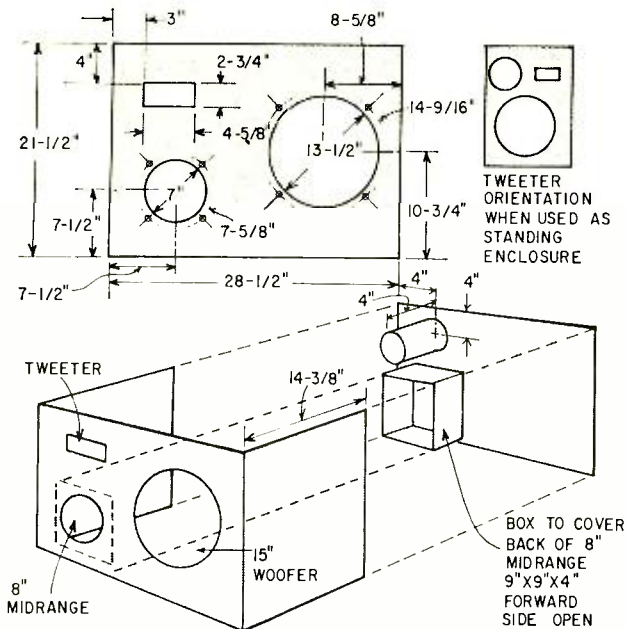


Fig. 5—Here's a 3 speaker-3 way, rear duct tuned University system. Components are a 15" C15W woofer, C8M midrange and HF206 tweeter. Duct diameter should be 4".

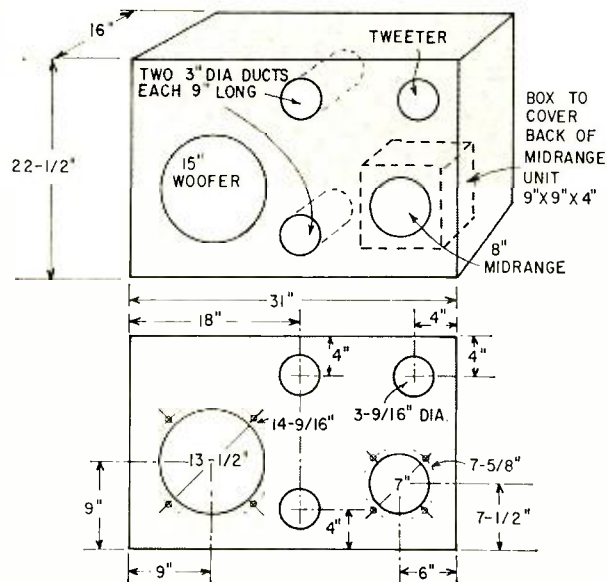


Fig. 6—Another 3 speaker-3 way, duct-tuned University system using two 3" diameter ducts. Use a C15HC woofer with C8M midrange and T202 tweeter. Box the midrange.

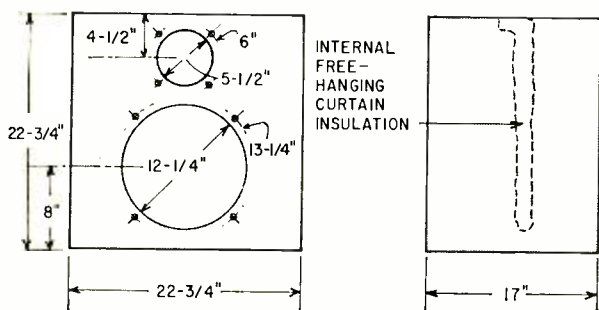


Fig. 7—Bozak 2-speaker (integrated 2-way system using 15" B207B coaxial with 5 1/2" opening closed. For a 2-speaker 3-way system, add a B209B in 5 1/2" opening.

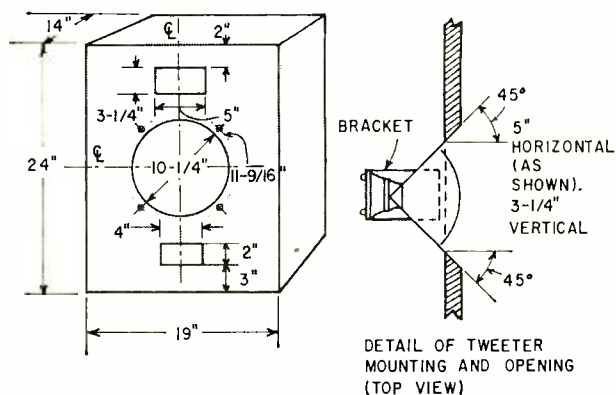


Fig. 8—A bass-reflex, 2 speaker-2 way system using Altec-Lansing components. Use a 12" model 414A woofer and a 3000II horn-type tweeter. Mount the tweeter as shown.

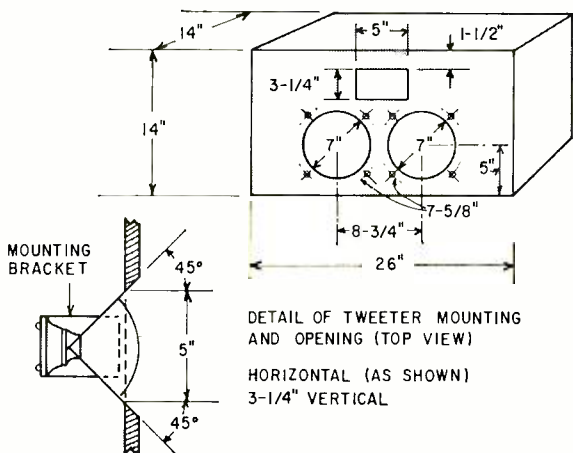


Fig. 9—This infinite baffle, 3 speaker-2 way Altec-Lansing system uses two 8" 755 woofers and a 3000II tweeter.

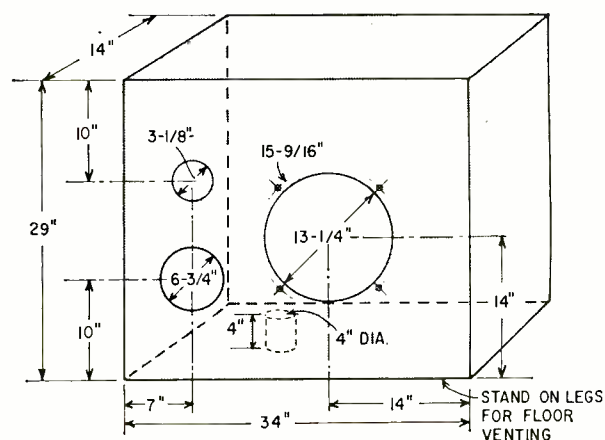


Fig. 10—Bottom-duct, 3 speaker-3 way Jensen system using 15" W15-IF woofer, ME-20 midrange and TE-40 tweeter.

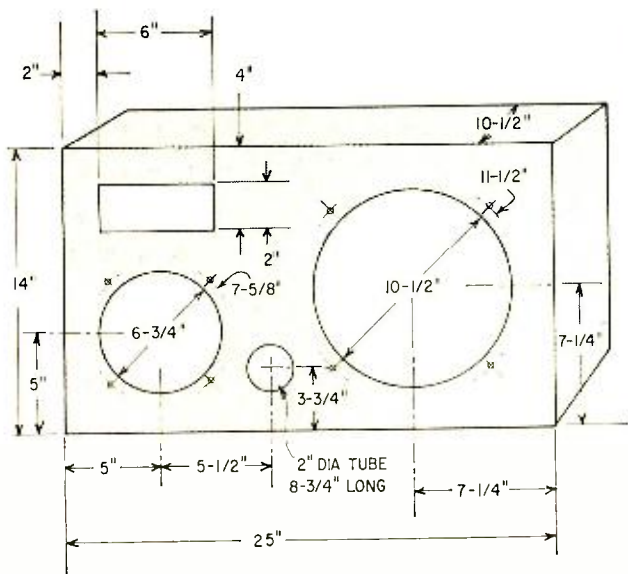


Fig. 11—A Jensen 2 speaker-2 way duct-tuned system. Components: W12-NF woofer, MQS-U midrange, TH-20 tweeter.

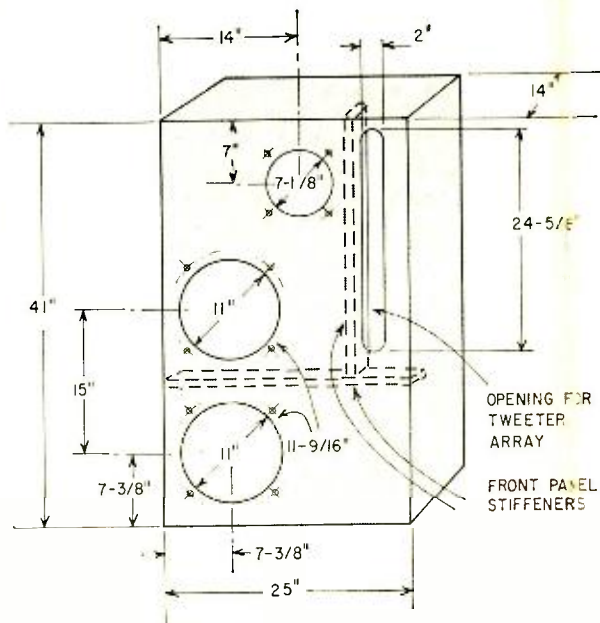


Fig. 12—A 4 speaker-3 way Bozak infinite-baffle system. Use B199A woofers, a B800A midrange, 4 pr. B200Y tweeters.

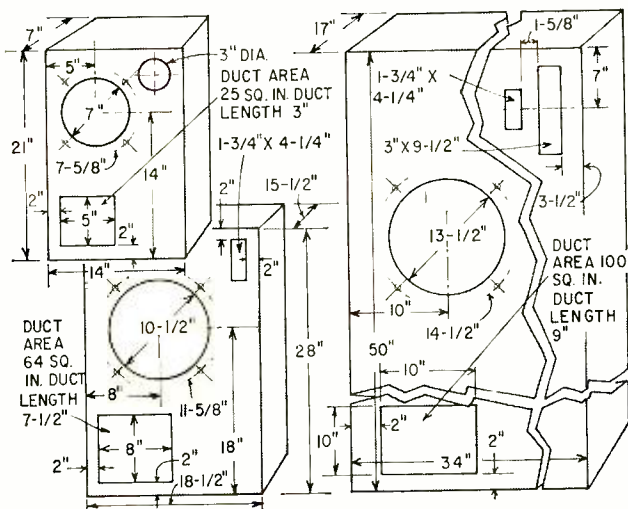


Fig. 13—Three different Electro-Voice tuned-duct systems. Smallest enclosure has an LSS woofer and HF1 tweeter. Second largest system uses an SP12B woofer and T35 tweeter. Large enclosure uses SP15B woofer (with whizzer), a SHD midrange speaker with T25A driver and model T35 tweeter. All three speaker systems are easy to put together.

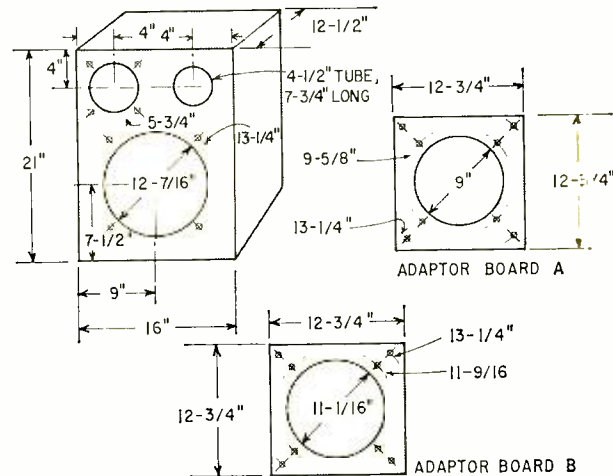


Fig. 14—Basic enclosure for this J. B. Lansing tuned-duct system will take three woofers. For 10" setup use adaptor board A over main woofer opening with an LE10A woofer and LE175DLH tweeter. Expand system with a 12" D123 woofer and LE175DLH tweeter (use board B). Use main woofer opening with 15" LE14A and the same tweeter.

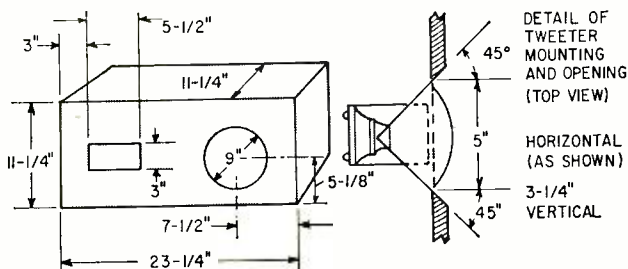


Fig. 15—This is a Altec-Lansing infinite baffle system (2 speaker-2 way). Use a 406B 10" woofer, 3000H tweeter.

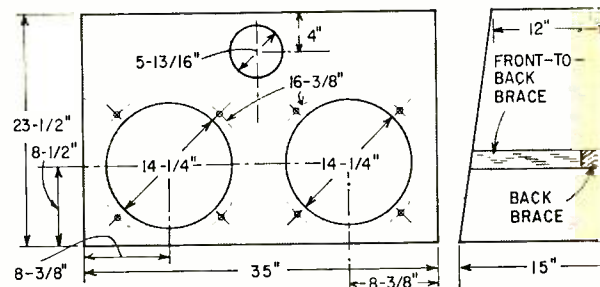


Fig. 16—A J. B. Lansing 2 speaker-2 way system using 15" LE15A woofer, PR15 passive radiator, IIL91-LE85 tweeter.

IC STEREO AMPLIFIER IN A PHONO ARM

Portable stereo phonograph uses IC amplifiers and battery-powered turntable

by ED FRANCIS*

NOW, THROUGH THE USE OF SPACE-AGE INTEGRATED circuits (IC's), it is possible to come up with a complete solid-state stereo phonograph of reasonable quality with all electronics built into the tone arm. The only external items are a 6-volt lantern battery, two speakers and a battery-powered turntable. Total cost should be about \$40, depending upon the cartridge selected. Despite the relatively low cost, this unit will outperform many \$50 to \$100 stereos while providing enough volume for you and your neighbors.

The heart of the stereo is two RCA CA3020 IC's. For simplicity, no output transformers are used. The amplifier outputs are fed directly into 130-ohm center-tapped speakers. The speakers are oval 3" x 5" units designed specifically for use with the CA3020. Because the speakers are not husky hi-fi types, low-frequency

response is somewhat limited. This could be improved by using a pair of good output transformers and higher-quality speakers.

A lever-operated cam gently raises and lowers the arm for convenient operation. Virtually any turntable will work.

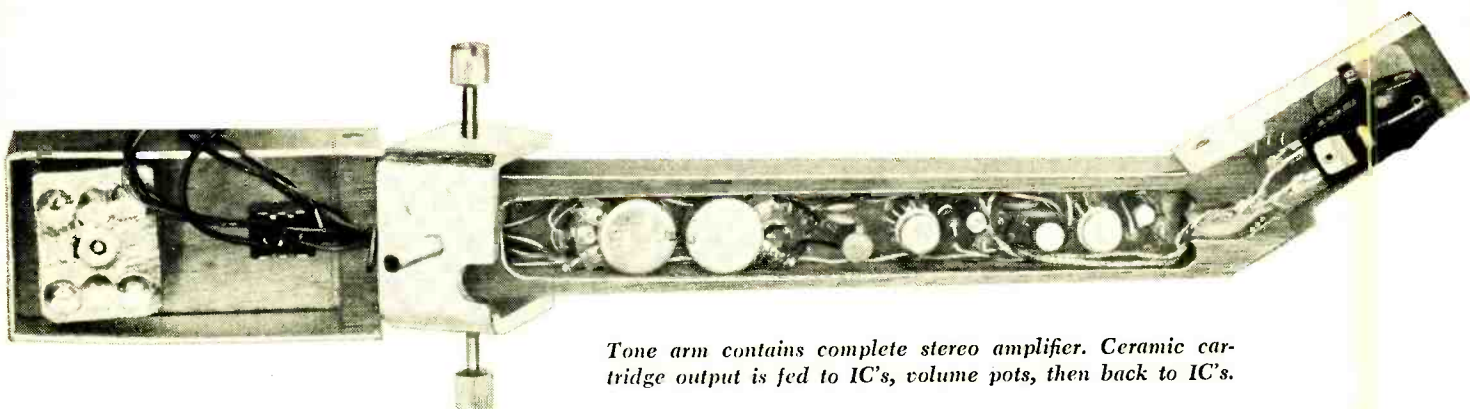
How it works

The stereo cartridge picks up A- and B-channel program material, generates an audio voltage and feeds it to the respective amplifier input. Because a high-output ceramic cartridge is used, the signal is fed through 100,000-ohm dropping resistors, since only 40 mV is required to drive the CA3020's to full output.

The signal continues through coupling 5- μ f capacitors to the amplifier input stage, an emitter follower. From the emitter follower the signal goes to the volume control, passes through another coupling capacitor and



Professional-looking wood veneer finish complements the author's contemporary turntable and speaker design. Right-channel enclosure contains lantern battery.



Tone arm contains complete stereo amplifier. Ceramic cartridge output is fed to IC's, volume pots, then back to IC's.

goes back into the amplifier. The signal undergoes the standard phase-splitting process in preparation for push-pull operation. The amplifiers require either a center-tapped output transformer or a high-impedance, center-tapped loudspeaker. The amplifier circuit is in Fig. 1.

Construction

Construction is neither critical nor difficult. However, considerable attention must be given to many small details. The first part of the job involves woodwork and is simplified considerably if a handsaw and router are available. The arm is cut from $\frac{3}{4}$ -inch walnut stock (Fig. 2). With the aid of a router, clean out the under side of the arm to make room for the dual-amplifier circuit board. This cutout should be about $\frac{5}{8}$ inch wide by $5\frac{3}{4}$ inches long and about $\frac{5}{8}$ inch deep.

Bearings are $\frac{1}{8}$ -inch diameter 1-inch drill rod with 45° V-groove cups turned into each end. These V-

grooves are supported or engaged by the pointed ends of captive nut thumbscrews (Newark 26F362 55¢ ea.).

After sanding the arm thoroughly, press the bearing rod into a slightly undersized hole drilled at location B. The arm support yoke consists of $\frac{1}{8}$ inch by 1 inch aluminum bar stock bent into a U-shape, drilled and tapped for the thumbscrews. The swivel bearing is simply a 6-32 machine screw threaded into a short length of thin-wall brass tubing.

The mating portion of the swivel bearing consists of a $\frac{1}{4}$ -inch stove bolt drilled out to accept the thin-wall brass tubing. Thread this stove bolt bushing into the walnut arm support. Since the outside of the bushing is threaded, arm height can be adjusted simply by turning the bushing in or out of the wooden arm support.

Connectors for the speakers are mounted on the arm support, and consist of two transistor sockets. Old transistors are used for plugs. Drill a $\frac{3}{8}$ -inch hole completely through the arm support base, and mount one socket in each end of the hole. Drill a vertical $\frac{5}{16}$ -inch hole into the side of the $\frac{3}{8}$ -inch socket hole to pass small-wire connections from the amplifiers in the arm down to the socket connectors for both audio and dc power. If you don't want to tackle the arm, use a conventional one and mount the amplifier under the motor board.

Shrouds surrounding the cartridge and counterbalance compartments are made of soft aluminum, and are drilled and fastened to the arm with No. 2/4 FH wood screws. Finely fitted shrouds are made best by first hand-fitting full-size paper patterns to the arm.

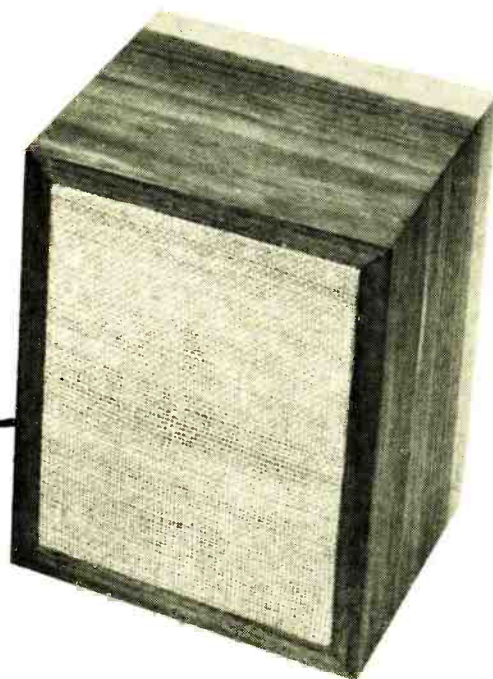
Although the counterbalance compartment was originally designed to house a 9-volt battery, I found it much more practical to use a lead counterbalance and put a 6-volt lantern battery inside one of the speaker enclosures.

A $\frac{5}{8}$ x $5\frac{1}{4}$ -inch circuit board is large enough for the amplifiers and the dozen or so components required to complete the unit. A full-size pattern of the foil side is in Fig. 3.

The two $\frac{5}{8}$ -inch diameter volume controls are wired into the circuit with standard 28-gauge stranded phono cartridge wire.

I used a ceramic stereo cartridge with 0.5-volt output. Since the amplifiers require less than 40 mV for full output, a 100,000-ohm series resistor restricts the cartridge's output. However, the CA3020 amplifier has a 50,000-ohm input impedance, which is quite compatible with many magnetic cartridges, the result being a somewhat lower output.

Except for the 510,000-ohm bias resistor, none of the external components are critical. However, their val-



*Department of Industrial Technology, Illinois State University, Normal, Ill. 61761

ues will affect the frequency response. Sticking fairly close to the values specified will assure a wide response (actually much wider than what the speakers will reproduce).

When soldering the IC's into the circuit heat-sink each lead. Also leave the leads full length. Use 28 gauge stranded phono cartridge wire to complete the connections from the circuit board to the volume controls. Connections to the cartridge are made with shielded phono wire. Be sure to dress these leads neatly, to prevent shorting the shields to components on the circuit board.

The 130-ohm center-tapped speakers are designed specifically for use with the CA3020's and eliminate the need for output transformers. You could also use a pair of 125-130-ohm output transformers to match standard low-impedance speakers.

Ducted-port enclosures seem to improve speaker performance. They are made from 1/2-inch plywood and are covered with a suitable grille cloth. Walnut veneer will finish the job. Enclosure sides, tops and bottoms should be securely fastened with glue and finishing nails or screws. The outside dimensions are 7 x 9 x 6 1/2 inches.

The fronts are cut about 1/8 inch undersize to allow for stretching the grille cloth around their sides. An opening for the ducted port is located near the speaker and off to one side. Its exact diameter is determined by the outside diameter of the tubing used. The approximate duct size is 2 inches in diameter by 3 inches long.

Before mounting the speakers and covering with grille cloth, paint the fronts flat black to disguise the speaker cone. When ready for installation, fasten the enclosure fronts to the frame from the inside with small cleats and wood screws. Connecting leads for the speakers are made from 28-gauge stranded phono cartridge wire. For one speaker, three wires are required. Because one enclosure houses the power supply, four conductors are required. I found a battery holder with contacts for the spring terminals to be quite convenient. A printed-circuit contact board located at the bottom of the battery holder that allows the battery to be inserted without regard to polarity—no mistake can be made—is shown in Fig. 4.

Subminiature speaker plugs to match the transistor sockets are made from old transistors. Simply grind off the top, clean out the contents and solder in the speaker wires. For additional strength and strain relief, fill the transistor plugs with cement after connections are made and tested. The speaker enclosure containing the battery has four leads and of course requires a four-contact transistor plug.

Although the on-off switch is located on the arm, you may find it more convenient to mount it on the front of the "power enclosure," or possibly combine both amplifier switch and turntable switch in a double-pole unit located on the turntable base.



Ducted-port enclosures helps response from the 130-ohm center-tapped speakers designed for use with the CA3020 IC. PC contact board (beneath battery) insures correct polarity.

The turntable base is made of plywood and wood stripping, and is covered with walnut veneer. A set of short legs will give the base a pleasing "floating effect."

Virtually any turntable will work. However, a battery-powered version makes the unit completely portable. Just add batteries, battery holder and a switch to power the turntable.

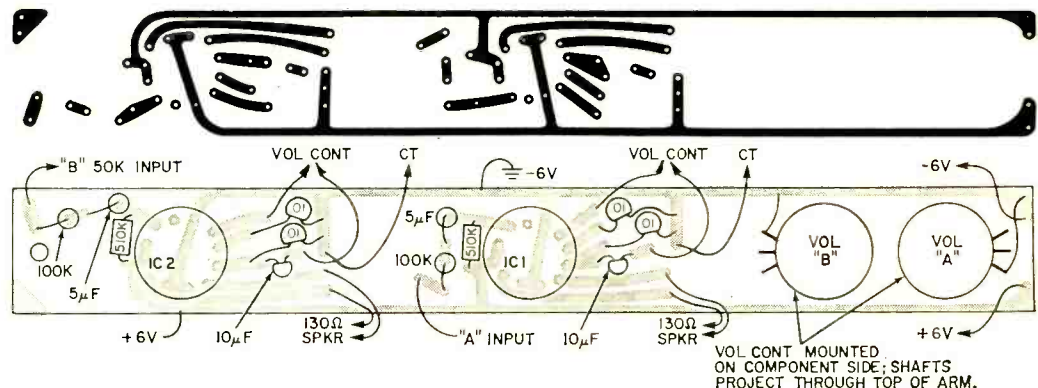
Be careful when locating and mounting the amplifier arm. You may have to level the arm support with shims. Proper tracking pressure is recommended by the cartridge manufacturer and is set by properly locating the slotted counterbalance. To set desired arm height adjust the pivot bushing in the arm support base.

The arm-lifting cam is supported by a small bracket made from a length of 3/32-inch diameter stainless-steel brazing rod. Make final cam adjustments after completing the arm and turntable assembly.

The IC stereo is quite efficient, and the battery delivers many hours of operation. The smoothly operating cam lifter will save records from shaky hands. Obviously, the arm should be lifted before adjusting the volume or balance.

R-E

Fig. 3—Full-size PC pattern (top) and component placement from the foil side. Volume-control shafts project through top of arm. Make external hookups with phono wire.



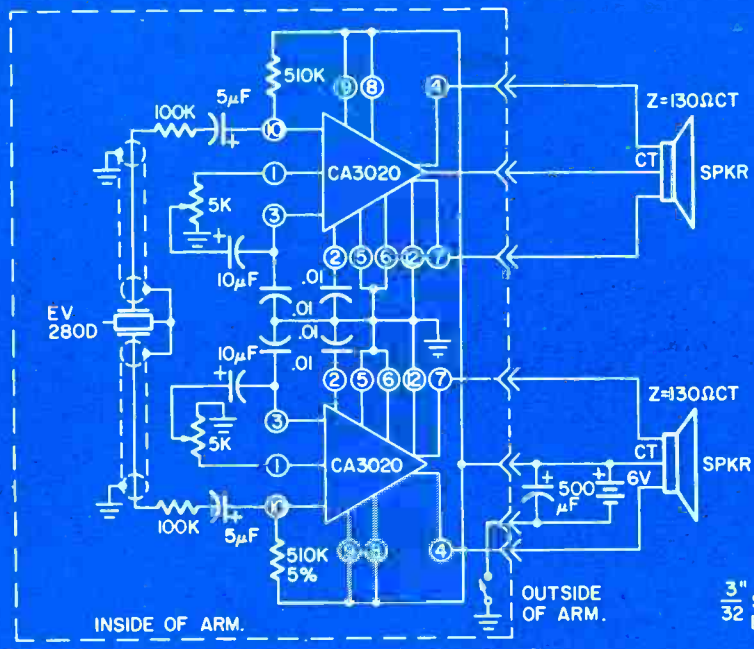


Figure 1

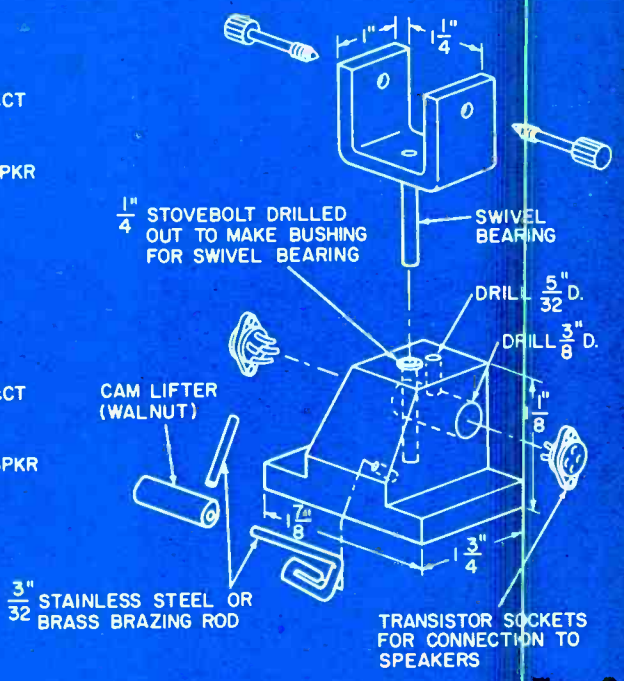
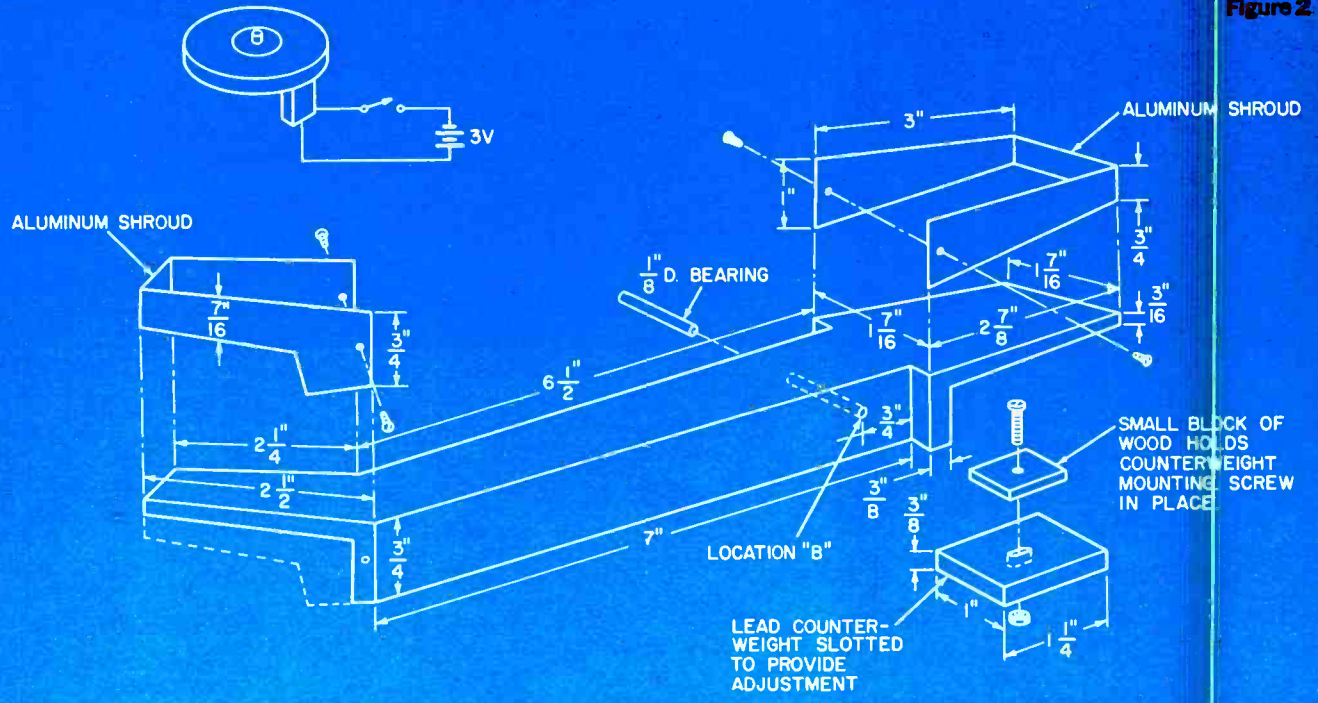


Figure 2



PARTS LIST

- All resistors 1/2-watt 10% unless noted
- 2—510,000 ohms, 5%
- 2—100,000 ohms
- 2—potentiometers, 5,000 ohms, 3/8" dia. max. with long shaft
- Capacitors
- 2—5 μF, 10 V, electrolytic
- 2—10 μF, 10 V, electrolytic
- 4—0.01 μF, disc ceramic
- Miscellaneous components
- 2—CA3020 integrated circuit (RCA)
- 2—sps toggle switch
- 2—speaker, 130 ohms, ct (RCA #111113)
- 1—stereo phono cartridge, 0.5-V output
- 1—turntable
- 1—6-V lantern battery
- Miscellaneous hardware
- 2—transistor sockets
- 1—3/8" x 5 1/4" circuit board
- 1—2" x 3" circuit board
- Miscellaneous hardware

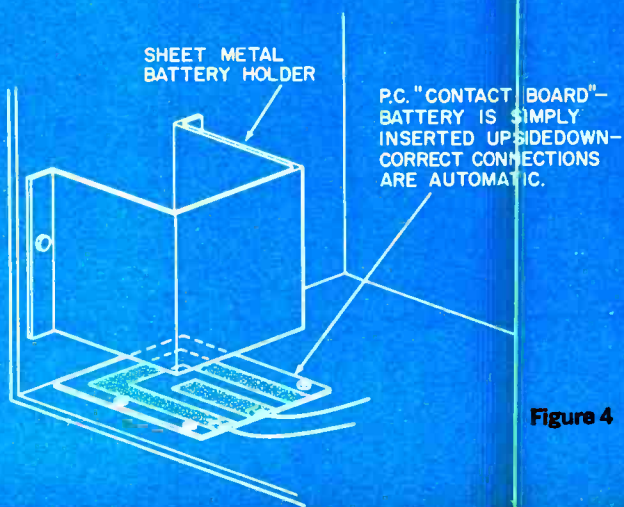
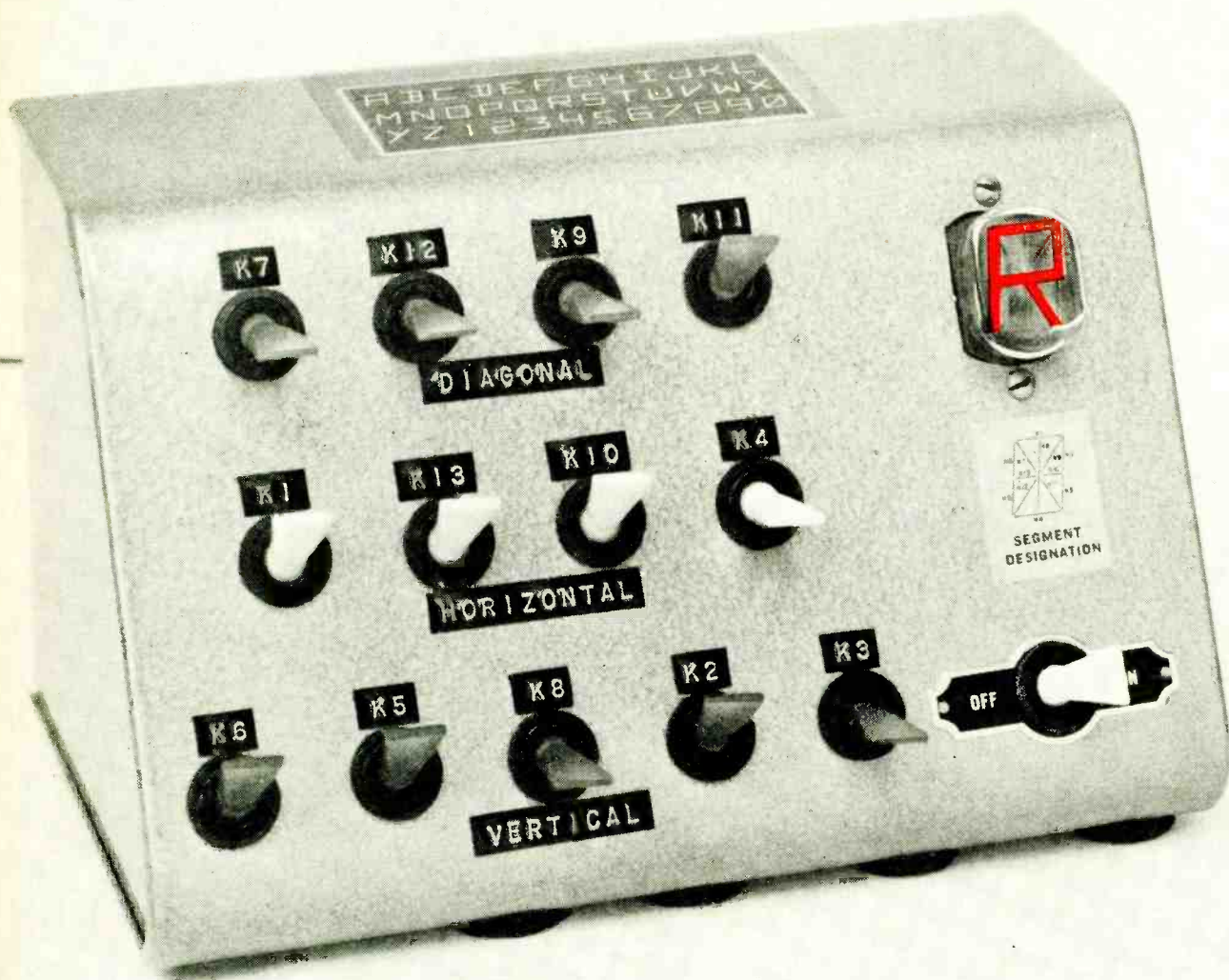


Figure 4



ALPHANUMERIC FUN

by **KEN GREENBERG**

Nifty Nixie demonstrator teaches youngsters ABC's. You'll have a ball too

PRINTING LETTERS AND NUMBERS ON THE FACE OF a vacuum tube is fascinating. It can also be educational for preschoolers. Here is a simple circuit that uses the least expensive alpha-numeric readout (Nixie) tube available without the costly and complicated tube driver circuit.

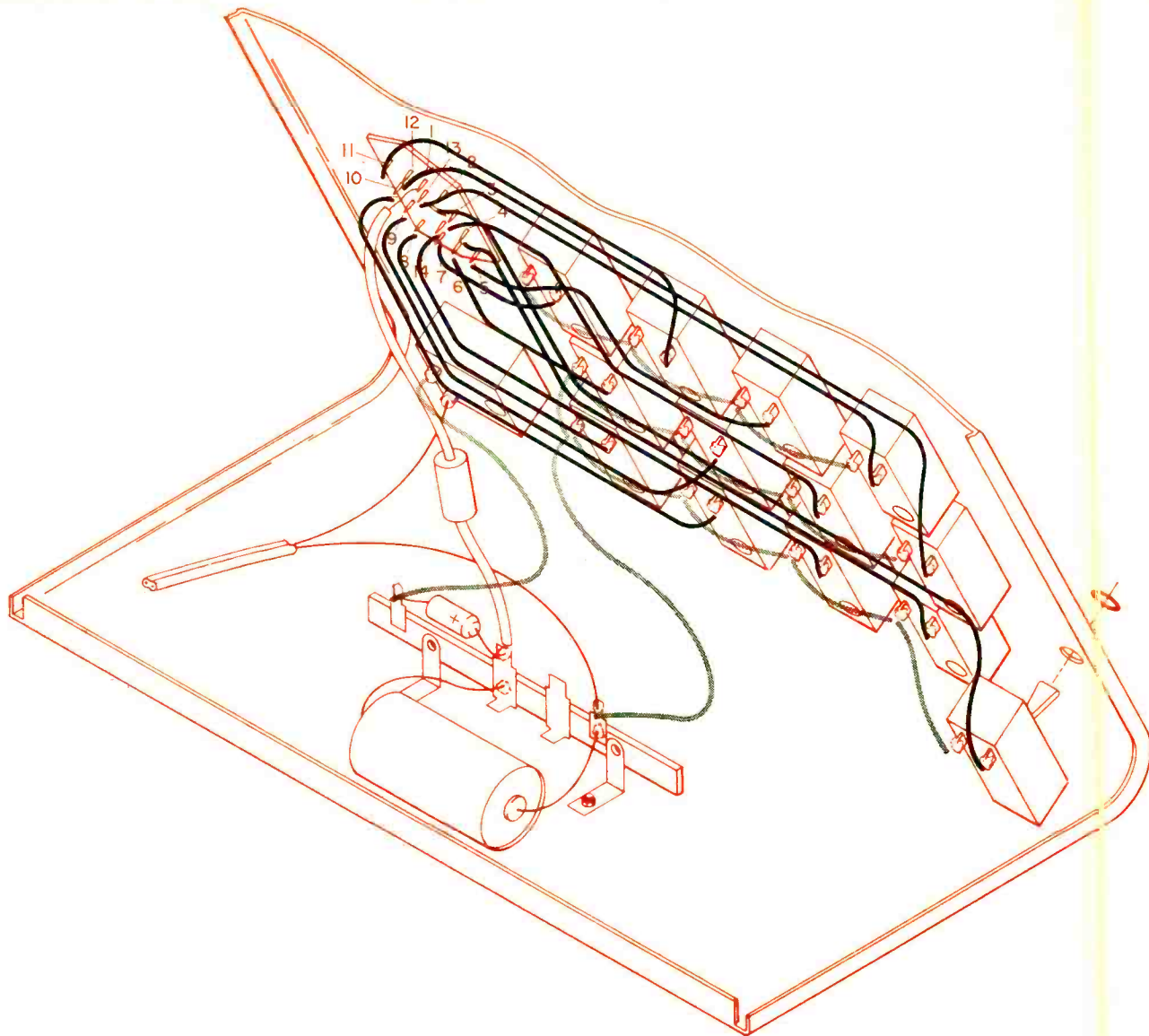
The Burroughs B-5971 Nixie tube will display individually each letter of the alphabet and numbers 0 through 9. The tube contains 13 cathode segments and a common anode. Alpha-numeric characters are formed by applying a negative voltage (with respect to the anode) to the appropriate combination of

cathode segments. In the circuit described here, each cathode is switched on or off with its own spst switch.

The circuit diagram (Fig. 1) shows a simple half-wave power supply consisting of D1 and C1. Approximately 160 volts dc (no load) is supplied to the tube anode through series anode resistor R1. The maximum anode and cathode current for the B-5971 is under 20 mA, so any silicon or selenium rectifier of this or higher current rating can be used for D1.

The B-5971 and its SK169 socket are available (\$16.75 and 90¢, respectively) from Burroughs Corp., Electronic Components Div., P.O. Box 1226, Plainfield, N.J. 07061. Free on request, Burroughs will send you its Bulletin 1141 in which all the technical details of the B-5971 are given.

To make the finished project professional-look-



BOX WITH A NIXIE

ing and colorful, I used Cutler-Hammer colored-handle Designer Line switches and housed the unit in a Bud 7" sloping-panel cabinet. Using slide switches, the circuit can be made at less cost.

The construction of all the letters and numbers is detailed in Fig. 2. The arrangement of the individual-cathode segments is shown in Fig. 3. Both should be pasted onto the cabinet face for reference. The schematic (Fig. 1) shows the tube pin numbers and the cathode segment connected to each pin. The pictorial diagram shows complete construction details of the unit I assembled.

Mount the switches in three rows: one row of five controlling the vertical segments; one row of four for the horizontal segments, and one row of four for the diagonal segments. Label rows and

switches to show segments they control.

When the unit is used as a teaching device, the child is shown how a letter or number is "printed" by flipping the appropriate switches. In a sense, he is printing the letter electronically one segment at a time. Almost everyone likes to flip switches to make lights go on. Here, the display is far more dramatic than simply writing a letter on a piece of paper. In a relatively short time the shapes of numbers and letters are recognized and remembered.

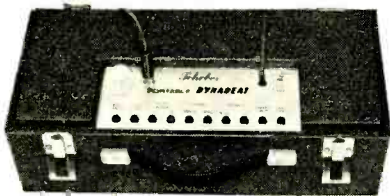
As a game for children or adults, see who can "print" the entire alphabet with the least amount of switching errors. Or see who can do it the fastest.

For the electronics hobbyist, few construction projects using readout tubes have appeared in magazines because of the relatively high cost of the tubes.

Build New Schober Music Kits

DYNABEAT RHYTHM

If you want rhythm Schober's got it—10 real trap sounds in a small carrying case. Add bass drum, snare drum, cymbals, and 7 other great rhythm effects to your combo, piano, or organ playing, each at the touch of a button the instant you want it—or have a ball playing traps along with records and radio! The Schober Portable Dynabeat connects to any guitar, hi-fi, or p.a. amplifier, makes you an instant drummer. Kit \$139.50, all built \$169.50. Special Dynabeat for all Schober Organs (not other brands) synchronizes the sounds you want with manuals and pedals. \$150 for the kit.



TUNESMITH MELODY INSTRUMENT

The Schober TunesModule makes the one-finger artist an instrumental soloist. Produces one note at a time on the 2½-octave keyboard while you control tone color (6 voices), vibrato, pitch, volume, as you play. Carry the melody for a combo or play with piano or organ accompaniment—or along with records and radio. Easily portable (13 lbs.), connects to any amplifier. Easy to build kit \$149.50; assembled, ready to plug in and play \$189.50.



Send right now for the full-color Schober catalog, with all details on Dynabeat and TunesModule as well as Schober's five kit organ models and unique reverberation system. No charge, no obligation. If you like music, you owe yourself a Schober instrument!

THE *Schober* ORGAN CORP., Dept. RE-64
43 West 61st Street, New York, N.Y. 10023

Please send me a Schober Organ Catalog.
 Enclosed is 50 cents for 7-inch LP demonstration record of DYNABEAT and Portable TUNESMITH.

NAME _____
ADDRESS _____
CITY _____ STATE _____ ZIP _____

Circle 30 on reader service card

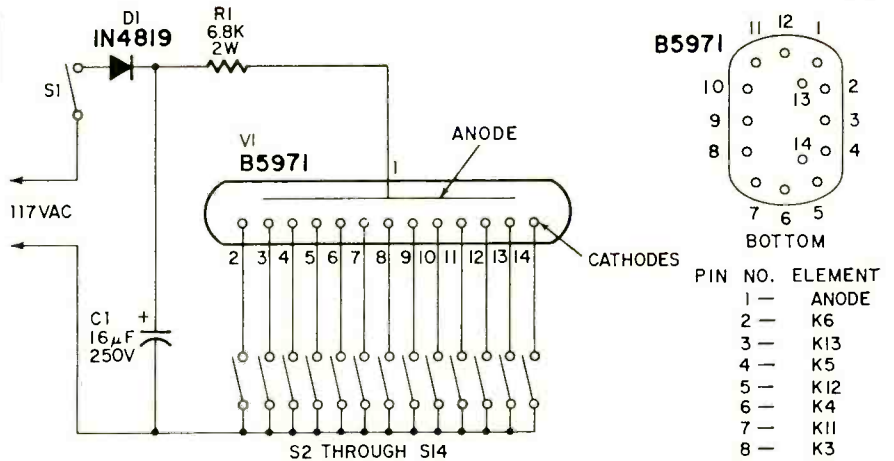


Fig. 1—Simple half-wave power supply turns on each cathode through 13 spst switches. About 160 volts dc is on the anode.

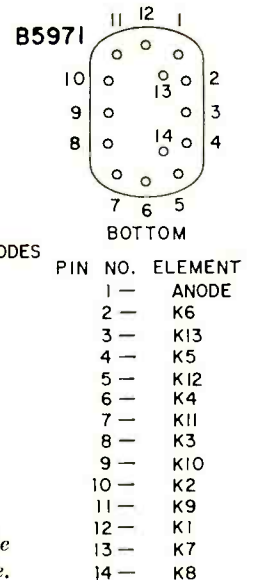


Fig. 2—Above are the cathode segments that are used to display both numbers and alphabet letters.

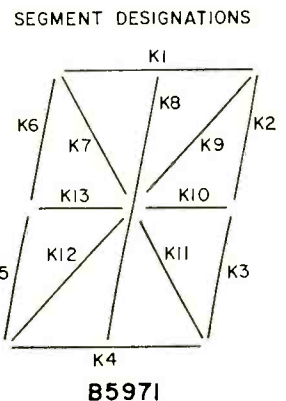


Fig. 3—Diagram of the Nixie cathodes that correspond to front-panel switch numbers used by author.

PARTS LIST

C1—16µF, 250 V electrolytic capacitor
D1—1N4819 diode rectifier
R1—6800 ohms, 2 watts, carbon resistor
S1—S14—spst switches
V1—B5971 Nixie tube
Misc: Socket for tube; case; line cord & plug; terminal strips

and the necessity of using costly driver circuits. This circuit is simple to build, requires a minimum of parts, is fun to use, and the display is unusual and fascinating.

R-E

COMING NEXT MONTH

Getting the car ready for the warmer months ahead? The April issue is loaded with automobile projects and features you'll have to read.

• **Sequential Tail Light For Your Car.** Simple solid-state unit you can put together in a couple of spare evenings. Make your car distinctive.

• **Electronic Ignition System.** A you-build-it setup that will put extra zip in your car's performance. Easy to put together too.

• **What's New In Automotive Electronics.** Expert rundown of the latest electronic additions to the new cars. They make them run better, faster, safer.

MAKE YOUR OWN TUNER TEST!

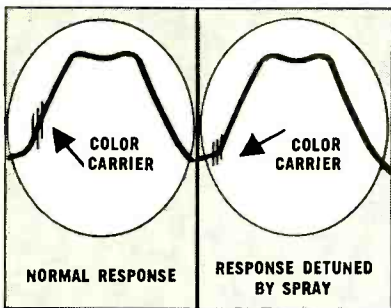
If you're like most professional TV technicians, you clean the tuner of every chassis you service.

But how careful are you in choosing your tuner spray? The wrong spray can cost you a lot in aggravation and callbacks.

That's why we ask you to

MAKE THIS TEST YOURSELF

1. Tune in a good color picture on any color set.
2. Spray the tuner with anything but a Chemtronics Spray.
3. You will see the color fade and disappear almost immediately, due to the changes of capacitance in tuned circuits caused by the spray.



4. Wait about 10 minutes for the spray to dry. Unfortunately, the color will not come back.
5. Spray the tuner with Chemtronics TUN-O-WASH.
6. Wait about two minutes and color will be restored.

WHAT THIS TEST MEANS TO YOU

Most tuner sprays leave a residue of slow drying, petroleum base lubricant. This saturates the coils and other components causing a shift in response as shown in illustration.

To compensate for this shift, you often adjust oscillator slugs. Then, when the set has played in your customer's house for a week or two, the residue dries out, shifting the oscillator back toward its original frequency. If the customer can't compensate for this drift with the fine tuner, you have a callback on your hands. Even if the drift is not too severe, the remaining residue picks up dirt and eventually "gunks up" the tuner.

TUN-O-WASH IS LIKE NO OTHER SPRAY ON THE MARKET

TUN-O-WASH is a powerful, high pressure spray designed to do just one job superlatively well. It melts away grease, oil, dirt and corrosion quickly and completely. It leaves absolutely no residue behind. Tests show that TUN-O-WASH is at least 10 times as effective as any other tuner spray in degreasing gunked up tuners.

Use TUN-O-WASH as your first step in repairing any tuner. It gives you a clean start in much the same way as the ultrasonic bath used by tuner specialists — but without harmful vibration. You'll be surprised at how many tuners you can repair the TUN-O-WASH way.

Then, once the tuner is restored to good working condition, you can lubricate it with a light spray of Chemtronics famous COLOR-LUBE, guaranteed not to detune, attack plastic parts or "gunk up." COLOR LUBE uses a unique synthetic lubricating formula developed specifically for color TV tuners.



Giant 24 oz. can only \$3.25 dealer net.

1260 RALPH AVENUE • BROOKLYN, N.Y. 11236

Circle 29 on reader service card

color picture tube. The high boosted voltages shown emphasize the necessity for starting voltage readings on the high scales of your vtvm or vom.

A quick check for control function is to read the voltage at a particular screen grid while rotating the associated control. If there is no voltage variation (or no voltage) the associated control may be defective.

Small-screen color

Because of the lower voltage requirements, the HV systems in smaller-screen color sets are not as complex. Typical is the circuitry shown in Fig. 3, used in the G-E chassis G-1. Note that no separate focus rectifier is used. Instead, five high-value resistors are used as a bleeder to drop the second-anode

Fig. 2—Boosted-boost voltage is applied to red-, blue- and green CRT screens through screen controls that permit voltage adjustments in the 600-volt range.

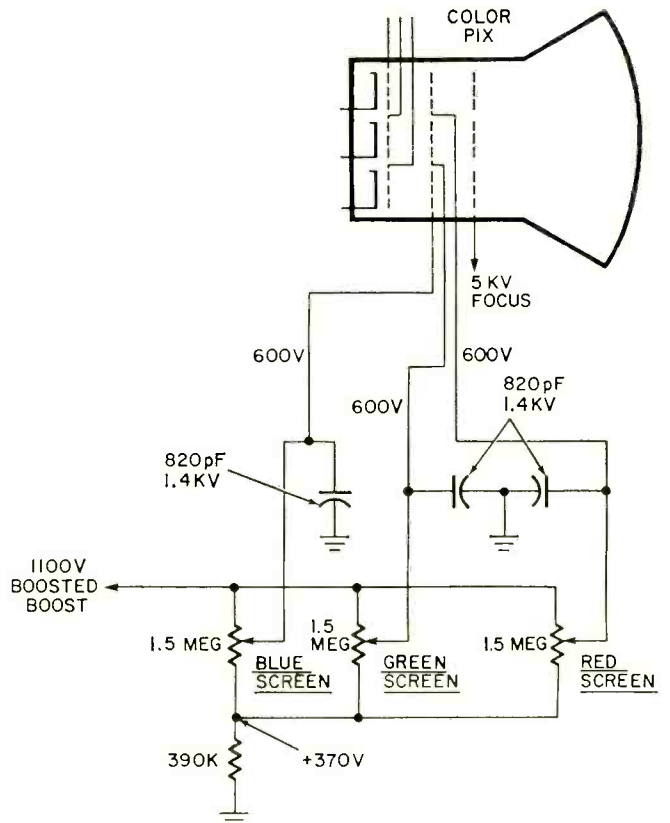
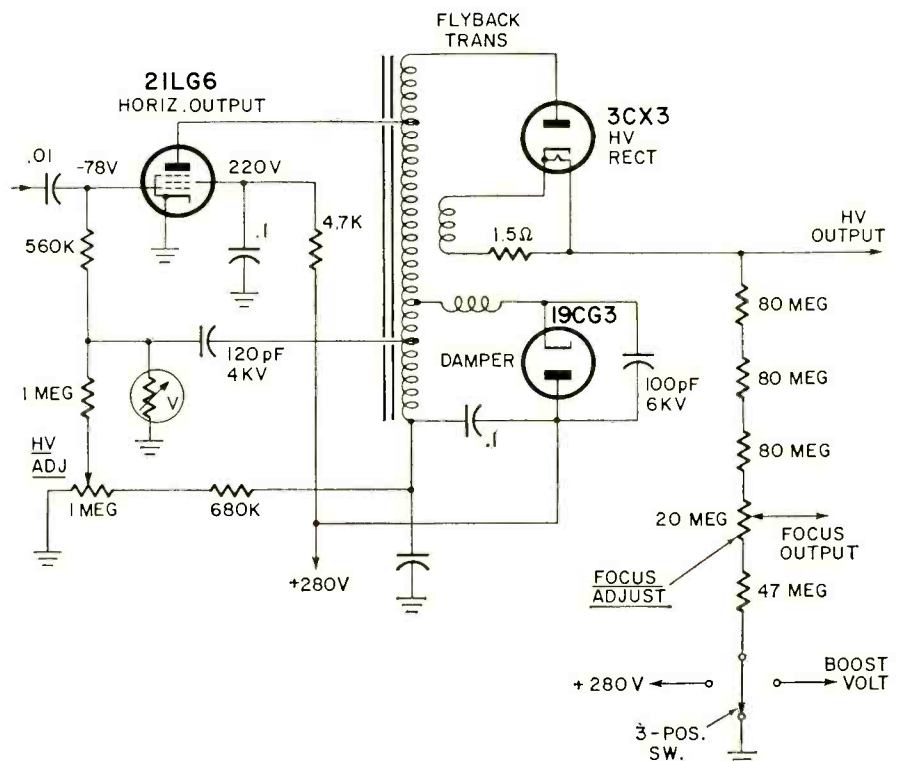


Fig. 3—Smaller-screen color sets like this G-E 15" G-1 chassis may not use a focus rectifier. Five high-value resistors and a 3-position tap are used instead.



picture-tube voltage to that required for the focus electrode. A 20-megohm potentiometer is used for the focus adjusting control. If good focus is beyond the range of this control, reset the three-position tap shown. One position picks up the boost voltage, the other approximately 280 volts.

Instead of a voltage regulator, a varistor is used in the grid circuit of the output tube to help stabilize voltages. The HV control affects bias on the horizontal output tube, and hence changes conduction. Again, an improper setting can overload the output tube and shorten its life. A HV probe should be in place on the HV line while this control is adjusted.

If high voltages are normal, but the horizontal output tube is short-lived, check grid and screen voltages. Improper screen-grid voltages call for a test of the bypass capacitor and the 4700-ohm resistor. Weak horizontal output and damper tubes could, of course, cut down the high voltage.

An item often overlooked is ac line voltage in the home. The service technician should be suspicious if the set acts up in the home but is ok in the shop. When tubes age and parts change value slightly, a drop in line voltage can cause decreased contrast, poor brightness and even some sync instability. Low line voltages are usually caused by excessive current consumption in the home—air-conditioners in summer or heating equipment in winter. If the condition is constant, the power company should be notified so it can correct it.

Excessive line voltage is more dangerous to the horizontal output and HV systems of color sets than to b-w because it increases drive to a dangerous level, raises filament voltage on the rectifier tube and causes HV arcing. If the line voltage is higher than normal, check to see if there is a tap on the power transformer. As shown in Fig. 4, such a tap is often provided to compensate for excessive line voltage. The tap, however, should be used only if you are sure the high line voltage is a permanent condition in the area.

Curing snivets

In early sets the horizontal output tube would go into Barkhausen-type self-oscillation and produce bar interference on the screen. Most modern horizontal output tubes are designed to minimize this effect, which is caused by the abrupt plate current cutoff and electron bounce around the highly positive screen grid. On occasion, however, you'll run across bar interference at the right of the screen, as shown in Fig. 5.

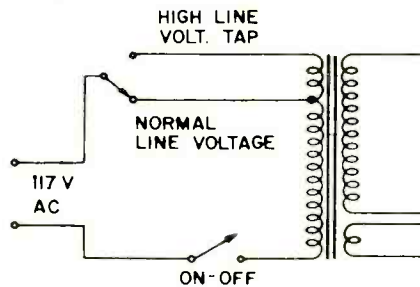


Fig. 4—High line voltage problems can often be corrected with transformer tap.

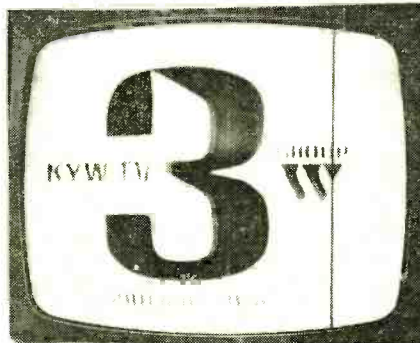


Fig. 5—A snivet (sharp vertical bar) caused by interference oscillations.

The vertical bar may be sharply defined or have fuzzy sides, and may be present for only some stations. On strong signals the bar may become white, while on weak stations it may appear as two or three broken black vertical lines. Such bars are called *snivets* and also appear on channels where no station is present. They are usually to the right of center.

For snivets at the right of the screen, try a slight adjustment of the horizontal efficiency coil. Measure the cathode current of the horizontal output tube and adjust the coil for a dip, then advance it slowly to about 10 mA. Recheck for snivets on all channels. Also try slight readjustments of the high voltage.

For persistent snivets, try a new horizontal output tube, even if it checks out all right on a tube checker. Sometimes a change in brightness and contrast control settings will affect snivet formation, since there is some affect on circuit loading. Also check the position of the short length of twin-lead from the antenna terminals to the tuner. Move this lead away from any HV leads or circuits. Similarly, change the position of the built-in antenna if one is used, and check performance with rabbit ears moved away from receiver.

If you've cured the snivets on the vhf channels, better check uhf reception too, since they are sometimes more frequent there. **R-E**

There's no substitute
for **SUCCESS...**



JAMES WONG—Research Engineer
Heald Engineering College Graduate

or **IN-CLASS INSTRUCTION!**

In electronics, it's the training that makes the difference. Employers require well-trained men and the first thing checked is where you gained your knowledge.

HEALD GRADUATES have many job offers with starting salaries often in excess of \$10,000 per year. AND advancement is rapid.

GET STARTED NOW. Be a
DRAFTSMAN—12 months
TECHNICIAN—15 months
ENGINEER (B.S. Deg.)—36 months
ARCHITECT (B.S. Deg.)—42 months

YOU are eligible for HEALD ENGINEERING COLLEGE if you have a high school education or the equivalent.

Increased income starts with success—success starts with your move to Heald. Send now for FREE brochures with more information on Heald in San Francisco and your future in Engineering.

FREE LIFETIME PLACEMENT SERVICE
VETERAN APPROVED



WRITE TODAY FOR DETAILS

HEALD Engineering College

1215 Van Ness Ave., San Francisco, California 94 09

Please send me information about:

- ARCHITECTURE
ENGINEERING: Civil Electrical
Electronic Mechanical
TECHNOLOGY: Electronic Engineering
Technician (FCC)
Radio-Television Technician (FCC)
DRAFTING: Mechanical Electrical
Structural

I am interested in Day Evening courses
Also send an application.

NAME _____ AGE _____

ADDRESS _____

CITY _____

STATE _____

ZIP _____ PHONE _____

How to Soup Up Low-Quality Speakers

by CHARLES ANTHONY

EXPERIMENTING WITH SPEAKER CHARACTERISTICS is no longer limited to speaker manufacturers. You too can tailor speakers to fit enclosures and amplifier response.

Start at the bottom of the price range—where a little improvement can be heard easily. Don't expect fantastic improvement in audio quality from hi-fi speaker systems or higher-priced speakers. Manufacturers have worked on the better speakers and speaker systems for a long time. If there were any reasonable ways to improve their quality, you can be sure manufacturers would have made those changes for you.

Also don't expect much improvement in sound by altering those 2- and 3-inch flat-cone speakers in the pocket-sized portables.

But where you can really make a noticeable improvement—something that you can hear, not find with frequency response checks—is in the speakers that manufacturers use in low-priced table radios, television sets and automobile radios.

Many auto-radio speakers need replacement because they are mounted facing up through the top of the dashboard. Face up, the speakers collect a great deal of dust and grit,

which filters down through the speaker's felt disk. There isn't much clearance between the voice coil and the pole piece of the permanent magnet (Fig. 1). So a little dirt can quickly go a long way toward making the audio output scratchy and raspy.

Keep the dust out

Although the felt disk keeps out the larger dust and grit particles, tiny particles sift through. It's easy to see what's needed is something less "open." Whatever is used will have to be lightweight. If it is too heavy the speaker cone will not be able to move freely and frequency response will be severely limited.

A combination of light weight and strength can be obtained from a disk cut from a ping-pong ball. Don't try to cut the ball with a knife—it's not easy! But you can do the job easily and neatly with the pencil tip of a hot soldering iron.

With the ping-pong ball cut in half along the seam, you can easily trim the thin plastic with scissors to make it fit the diameter of the voice coil (after you remove the felt disk). The section cut from the ping-pong ball should be slightly larger than the diameter of the coil.

Sealing the voice coil to prevent dust and grit from entering gives an unexpected bonus. The seal across the

center of the cone completes a sealed chamber as shown in Fig. 2. This sealed chamber is much like the double-action shock absorber used to take the jouncing out of automobile rides. Sealed chambers are not new to hi-fi speaker systems, but few audiophiles would consider using an enclosure that wasn't sealed.

Making the sealed enclosure part of the speaker rather than the cabinet gives you some of the benefits of a sealed enclosure while maintaining ventilation in an open cabinet. Make sure that the section cut from the ping-pong ball is cemented fully to the voice coil. Any gaps will reduce the effectiveness of the sealed chamber.

Many speaker repair troubles occur with cementing. Never use a cement that becomes rigid when it dries. For cementing rips in a paper cone it is best to use paper cement—a translucent white rubber cement. It will not dry and stiffen and will not shrink or otherwise distort the paper cone. Remember, all the cement has to do is to stop the edges of the tear from rubbing together—you don't need a patch over a rip or puncture in the cone.

To cement the ping-pong ball to the voice coil you can use Pliobond or most contact cements.

If you have doubts about the cement, test it before you put it on a

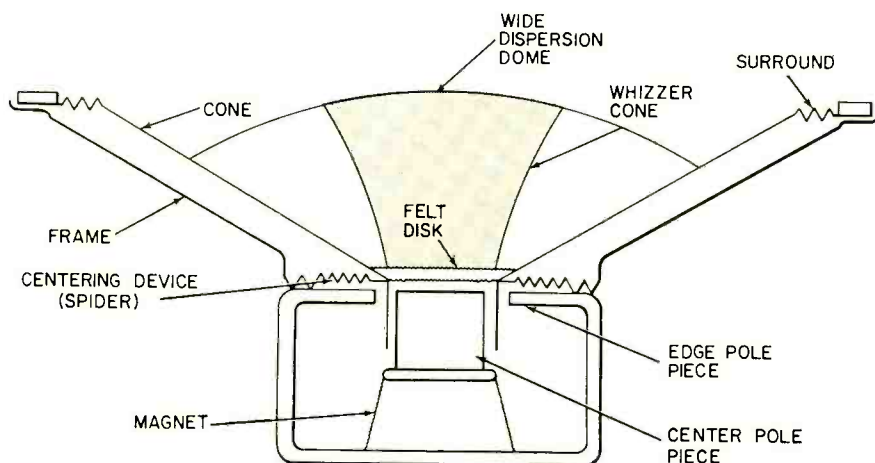
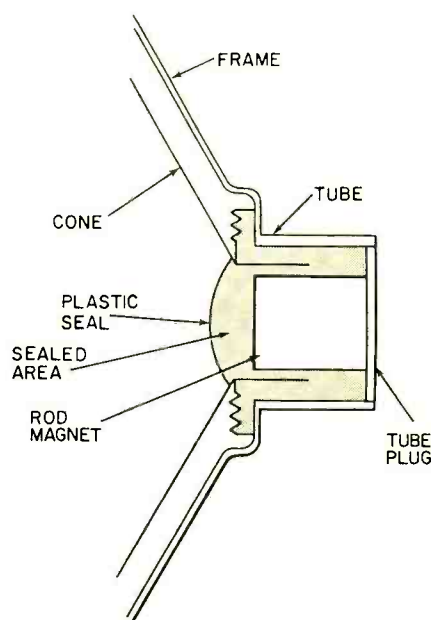


Fig. 1—Low-cost speakers like this can lose fidelity when grit particles sift through the felt disk, obstructing the pole piece. A paper whizzer cone improves treble response, and a wide-dispersion dome added will disperse high frequency sounds.

Fig. 2—A plastic ping-pong ball can be used to seal the voice coil and protect it from dirt. Sealed area is also an acoustic "shock absorber," aiding fidelity.



speaker cone. Spread some of the cement on a piece of construction paper. Squeeze out some cement in the form of a line and a circle. These three shapes will certainly show up any shrinkage or distortion caused by the cement.

Apply a little cement to the edges of the plastic dome and to the rim of the voice coil. Follow the instructions of the cement manufacturer.

As soon as the plastic dome is in place, invert the speaker and place it cone *down* in some safe place where the cement can dry. (Left face up the cement might run down between the voice coil and pole piece.)

Better bass

Bass response from these speakers can be improved by increasing their compliance. By making it easier for the cone to move, the fundamental resonance of the speaker is lowered and there is less chance of frequency doubling in the speaker and cabinet.

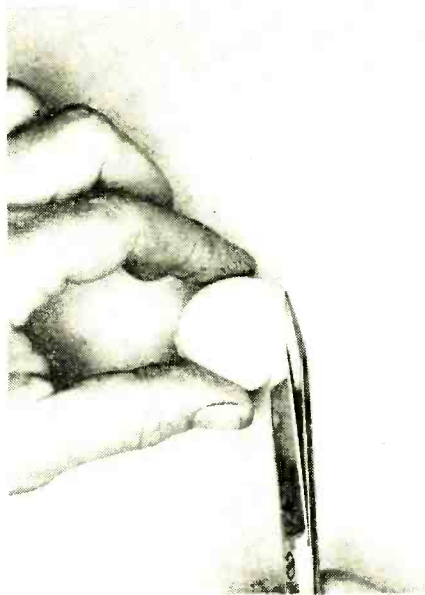
The easiest way to improve compliance is to reduce the stiffness of the surround holding the cone to the frame. If there is less corrugated paper in the surround, the cone will move with less resistance.

Using a very hot soldering iron, burn out as much of the surround as you want, but do the job symmetrically. This will keep the cone centered. Start burning where the paper has been overlapped and cemented to form the basic cone.

Some audio experimenters claim the spaces in the surround simulate the port in the bass reflex enclosure. Others feel the improved compliance is an explanation for more bass response. No matter which theory is correct, the bass response is improved.

Add a whizzer

You'll find whizzer cones on the medium-priced speakers—generally on



Cut ping-pong ball in half with hot soldering iron, then trim to cover voice coil.

8-inch and larger sizes. But you can add your own whizzer made from a paper cone. Just roll a sheet of construction paper into a cone. Run a thin strip of cement from the peak of the cone to the base. Then snip off the point of the cone to fit the diameter of the voice coil, and trim the base of the cone to the proper height. Be sure to keep the overlap (down the side of the cone) to a minimum to keep its weight down.

That's about all you can do with paper. Special shapes have to be light and strong, and about the only way to make them is with a vacuum-forming process.

It's not too expensive to make your own preforms. All you need for the smaller shapes is a toy appropriately called *Vac-U-form* (made by Mattel) that sells for under \$15. You get a small supply of plastic material with the *Vac-U-form*, but you can buy additional plastic sheets.

You'll need shaped master forms

—something that will let the plastic shrink around it to give the sealed dome, whizzer cone or wide dispersion dome most suitable for your speakers.

Generally a lathe is needed to turn these forms to your specifications. Sometimes you'll be able to find manufactured items that have shapes close to what you need. With a little luck you can pick up items from the toy counter or housefurnishings department that will give you nicely curved forms for exponential whizzers, rigid wide-dispersion domes, sealed domes and other shapes that are almost impossible to create with paper.

Usually tweeters are constructed with wide-dispersion domes since a normal-shaped cone concentrates the treble in the area directly in front of the speaker. Bass notes are less directive and the wide-dispersion dome spreads the sound better.

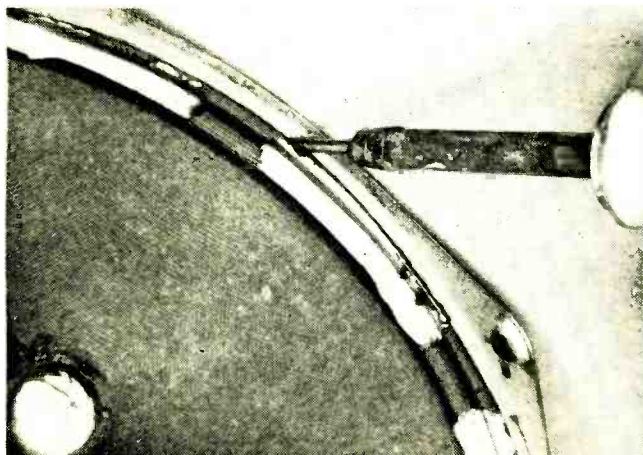
A wide-dispersion dome can be combined with a whizzer cone to give the benefits of both the increased high-frequency response and the spreading of treble tones. Simply cement a wide dispersion dome to the open end of the whizzer cone as shown in Fig. 1. Note that the dome is cemented only to the whizzer cone. Do not cement the dome to the speaker cone.

It doesn't take a lot of money for better sound if you're not content with the sound passed on to you in a manufacturer's latest mass-produced model. And you don't need a lot of expensive test equipment—let your ear be the judge.

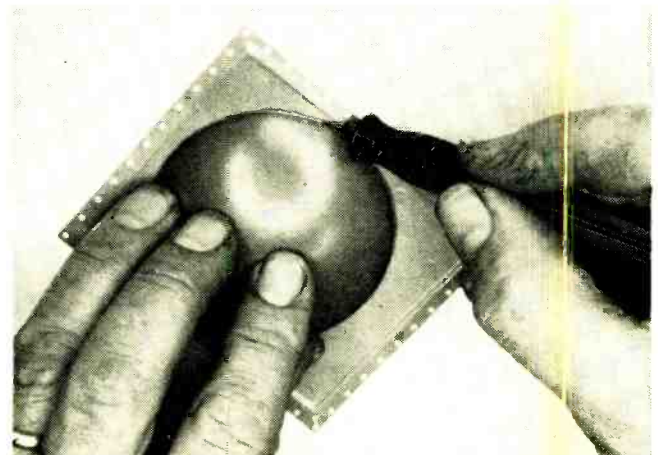
R-E

A set of basic preforms to fit the common 5/8-inch voice coil may be purchased for \$2.00 from Carlson Electronics, P.O. Box 151, Cocoa, Fla. 32922. The set includes two wide-dispersion domes, two whizzer cones and two voice-coil dome sealers. Special shapes and sizes can be made to order.

Boost bass response by burning away part of surround paper holding cone to frame. This increases compliance of the speaker.



Wide-dispersion domes like this can be made in a toy vacuum-forming machine. Trim excess plastic and glue to the cone.



Two more examples of how RCA Institutes provides up-to-the-minute Home Training in all phases of electronics:

NEW CATV LESSONS

The demand is heavy for technicians in the booming field of CATV (Community Antenna Television Systems).

CATV was initially used to make it possible for large numbers of television receiver users to get good reception in remote areas through the use of a common antenna. It now brings to more people more programs than are available from local stations. It also improves reception where multipath signal transmission exists.

RCA Institutes includes two comprehensive lessons, covering the practical phases of CATV systems and servicing in Television Servicing and Communications courses and programs at no additional total tuition cost. Get in on the ground floor of this rewarding and expanding field. Send for full information today!

Prepare yourself for a career in the expanding field of CATV.

NEW COLOR TV KIT

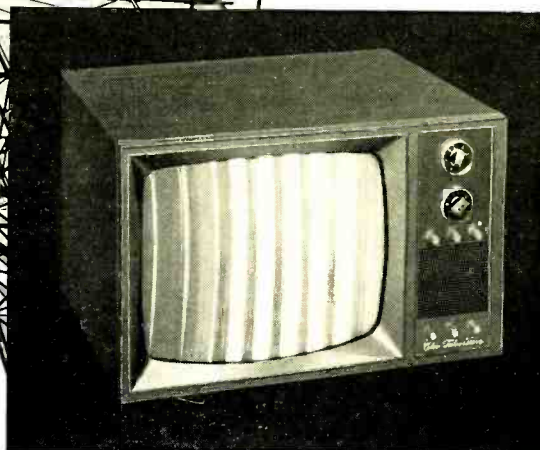
To make courses even more practical and to better prepare you for a more rewarding future, RCA Institutes now includes an exciting Color TV Kit in both the beginner's program and the advanced course in color TV servicing. The cost of the kit is included in the tuition—nothing extra to pay. You also get five construction/experiment manuals plus a comprehensive service manual.

You'll receive all the materials and components to perform over 50 information-packed experiments. When you finish you'll have constructed an 18" (measured diagonally) high quality, color TV set, complete with rich cabinet in wood grain design.

Get all the details on RCA Institutes' valuable new Color TV Kit!

SEND THE ATTACHED CARD TODAY!

This is the high quality color TV set you'll construct, complete with rich cabinet in wood grain design.



Learn electronics at home faster, easier, almost automatically—with RCA AUTOTEXT

Are you just a beginner with an interest in the exciting field of electronics? Or, are you already earning a living in electronics and want to brush-up or expand your knowledge in a more rewarding field of electronics? In either case, AUTOTEXT, RCA Institutes' own method of Home Training will help you learn electronics more quickly and with less effort, even if you've had trouble with conventional learning methods in the past.

THOUSANDS OF WELL PAID JOBS ARE OPEN NOW TO MEN SKILLED IN ELECTRONICS!

Thousands of well paid jobs in electronics go unfilled every year because not enough men have taken the opportunity to train themselves for these openings. RCA Institutes has done something positive to help men with an aptitude and interest in electronics to qualify for these jobs.

HOME STUDY CAN TRAIN YOU FOR REWARDING CAREER OPPORTUNITIES

To help fill the "manpower gap" in the electronics field, RCA Institutes has developed a broad scope of Home Training courses, all designed to lead to a well paying career in electronics in the least possible time. You also have the opportunity to enroll in an RCA "Career Program" exclusively created to train you quickly for the job you want! Each "Career Program" starts with the amazing AUTOTEXT Programmed Instruction Method. And, all along the way, your program is supervised by RCA Institutes experts who become personally involved in your training and help you over any "rough spots" that may develop.

VARIETY OF KITS ARE YOURS TO KEEP

To give practical application to your studies, a variety of valuable RCA Institutes engineered kits are included in your program. Each kit is complete in itself, and yours to keep at no extra cost. You get the new Programmed Electronics Breadboard for limitless experiments, including building a working signal generator, multimeter, and a fully transistorized superheterodyne AM receiver.

ONLY FROM RCA INSTITUTES— TRANSISTORIZED TV KIT— VALUABLE OSCILLOSCOPE

All students receive a valuable oscilloscope. Those enrolled in the Television program receive the all-new transistorized TV Kit. Both at no extra cost and only from RCA Institutes.

CHOOSE THE "CAREER PROGRAM" THAT APPEALS MOST TO YOU

Start today on the electronics career of your choice. Pick the one that suits you best and mark it off on the attached card.

- Television Servicing
- Telecommunications
- FCC License Preparation
- Automation Electronics
- Automatic Controls
- Digital Techniques
- Industrial Electronics
- Nuclear Instrumentation
- Solid State Electronics
- Electronics Drafting

ADVANCED TRAINING

For those already working in electronics, RCA Institutes offers advanced courses. You can start on a higher level without wasting time on work you already know.

2 CONVENIENT PAYMENT PLANS

RCA Institutes offers a unique tuition plan that lets you progress at your own pace. You only pay for lessons as you order them. You don't sign a contract obligating you to continue the course.

There's no large down-payment to lose if you decide not to continue.

However, if you desire, RCA Institutes also offers a convenient monthly payment plan.

CLASSROOM TRAINING ALSO AVAILABLE

If you prefer, you can attend classes at RCA Institutes Resident School, one of the largest of its kind in New York City. Coeducational classroom and laboratory training, day and evening sessions, start four times a year. Simply check "Classroom Training" on the attached card for full information.

JOB PLACEMENT SERVICE, TOO!

Companies like IBM, Bell Telephone Labs, GE, RCA, Xerox, Honeywell, Grumman, Westinghouse, and major Radio and TV Networks have regularly employed graduates through RCA Institutes' own placement service.

**SEND ATTACHED POSTAGE PAID
CARD TODAY. FREE DESCRIPTIVE
BOOK YOURS WITHOUT OBLIGATION.
NO SALESMAN WILL CALL.**

All RCA Institutes courses and programs are approved for veterans under the new G.I. Bill.

Accredited Member
National Home Study Council

IF REPLY CARD IS DETACHED—SEND THIS COUPON TODAY

RCA INSTITUTES, Inc., Dept. RE-39
320 West 31st Street, N.Y., N.Y. 10001

Please rush me FREE illustrated catalog. I understand that I am under no obligation, and that no salesman will call.

Name _____ Age _____
(please print)

Address _____

City _____

State _____ Zip _____

EQUIPMENT REPORT

Scott LR88 Solid State AM-FM Stereo Receiver Kit

For manufacturer's literature, circle No. 27 on Reader Service Card.

Listen!

How many watts do you really need for good high fidelity!

Everything electrical has a watt (power) rating. This goes for hi-fi components, too, whether stereo or mono. How many or how much you need depends to a large extent on your listening area and its acoustical conditions.

A room with thick carpeting, heavy drapes and overstuffed furniture absorbs a great deal of sound. For adequate listening levels, such a room will require more amplifier power (watts) to the loudspeakers than would a room with hard surfaces, little drapery and modern furniture. The same is true of big, open rooms vs. small, compact rooms.

At maximum volume (watts) some amplifiers may tend to develop distortion. Loudspeakers will simply reproduce any distortion along with the high fidelity music. So, if your components are used in a big or "overstuffed" room, make certain the amplifier has sufficient wattage.

To be sure of your requirements, ask the expert—your Jensen dealer. He'll be glad to help plan your hi-fi system. He will also demonstrate Jensen loudspeakers—how they preserve amplifier watts and fidelity.

Shopping? The extensive line of Jensen loudspeaker systems makes it easy to choose the *right* one for you. Drop in today and listen!

jensen

Jensen Manufacturing Division, The Muter Co.
5655 West 73rd Street, Chicago, Ill. 60638

Circle 33 on reader service card

HAVING BUILT A SCOTT LT110 FM tuner some years ago, I knew what to expect upon opening the LR88 carton. I was not disappointed. The carton contains three KIT-PAK® molded expanded polystyrene trays consisting of a base tray and two parts trays. Larger components such as the power transformer and the sheet metal parts are packaged in the base tray, while the parts trays are subdivided into a number of small compartments holding all the smaller components.

These compartments are opened sequentially, minimizing the possibility of using the wrong component in any one step, eliminating the need of sorting through a large number of components, and reducing the chance of losing small parts during storage times between construction installments. The trays along with a 152-page well-illustrated instruction book, makes this a Cadillac of electronic construction kits. When completed, the receiver has a professional, factory finished appearance and is mechanically solid.

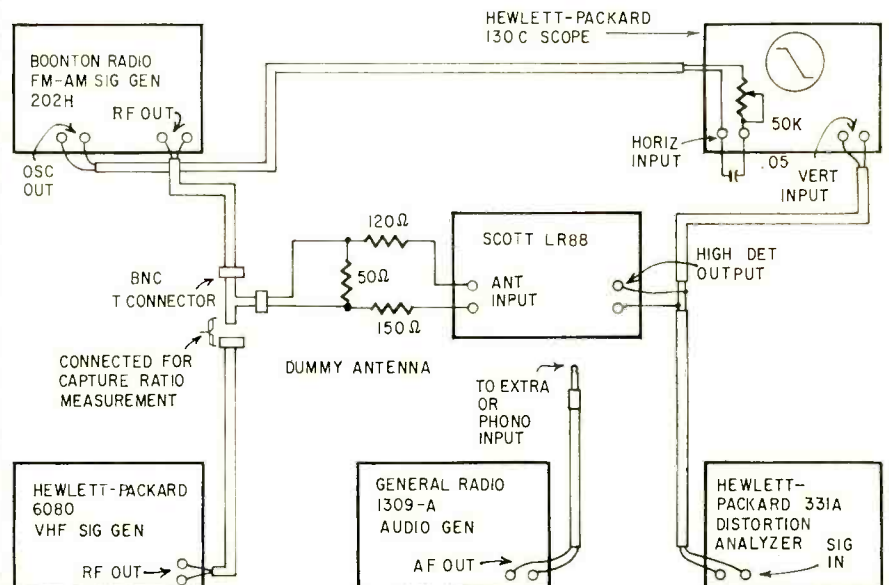
As pointed out by a friend with considerable audio design experience: "There was a time when high fidelity was an art. Today with the advent of sophisticated semiconductor technology, the majority of equipment in the medium price bracket performs with an excellence of the best equipment of a few years ago." Performance-wise the LR88 rates high in its price bracket.

Kit construction begins with mechanical and electrical assembly of the

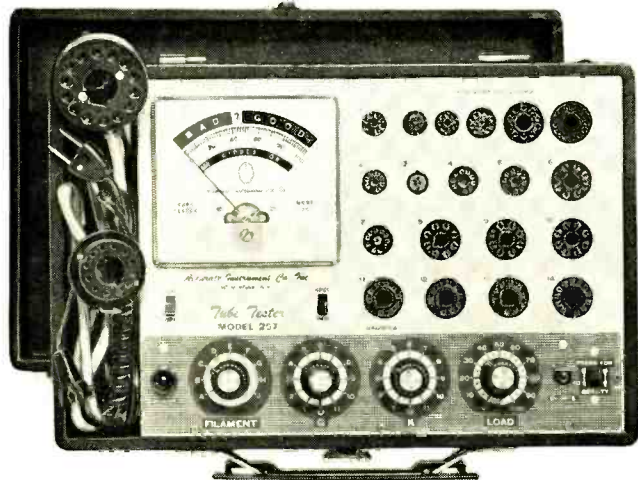
rear chassis. The audio output transistors, input connectors, output terminal strips, ac line cord, preamp gain switch, and ac outlets have been premounted on the rear chassis—indicative of the amount of mechanical assembly done by the manufacturer throughout. While the wires are pre-cut and the ends stripped, I trimmed a number of wires up to an inch shorter. Shortening the wires probably did not result in any increase in performance, nor should be taken as a recommendation, but resulted in a somewhat neater wiring job.

Convenient double-check pictorials showing the number of soldered and unsoldered connections at each component terminal are included. These pictorials appear after each major construction group, and are referred back to upon kit completion. Thanks to very clear instructions I encountered no wiring errors.

The input switch is then wired followed by mechanical and electrical assembly of the tuner chassis. The latter includes mounting and wiring to the multiplex, power supply regulator, and i.f. amplifier printed circuit boards, which like all the remaining boards were completely preassembled. Pre-assembly of the PC boards should result in a high percentage of kits operating properly at initial turn-on. As indicated on an addendum sheet, some changes in the printed circuit board layouts may be found. As there are some discrepancies in the location of some wire connection points, carefully determine which hole in a cluster



The New 1969 Improved Model 257 **A REVOLUTIONARY NEW**
TUBE TESTING OUTFIT



**COMPLETE WITH ALL
 ADAPTERS AND ACCESSORIES,
 NO "EXTRAS"**

STANDARD TUBES:

- ✓ Tests the new Novars, Nuvisitors, 10 Pins, Magnovals, Compactrons and Decals.
- ✓ More than 2,500 tube listings.
- ✓ Tests each section of multi-section tubes individually for shorts, leakage and Cathode emission.
- ✓ Ultra sensitive circuit will indicate leakage up to 5 Megohms.
- ✓ Employs new improved 4½" dual scale meter with a unique sealed damping chamber to assure accurate, vibration-less readings.
- ✓ Complete set of tube straighteners mounted on front panel.

BLACK AND WHITE PICTURE TUBES:

- ✓ Single cable used for testing all Black and White Picture Tubes with deflection angles 50 to 114 degrees.
- ✓ The Model 257 tests all Black and White Picture Tubes for emission, inter-element shorts and leakage.

COLOR PICTURE TUBES:

- ✓ The Red, Green and Blue Color guns are tested individually for cathode emission quality, and each gun is tested separately for shorts or leakage between control grid, cathode and heater. Employment of a newly perfected dual socket cable enables accomplishments of all tests in the shortest possible time.

The Model 257 is housed in a handsome, sturdy, portable case. Comes complete with all adapters and accessories, ready to plug in and use. No "extras" to buy. Only

\$47⁵⁰

NOTICE

We have been producing radio, TV and electronic test equipment since 1935, which means they were making Tube Testers at a time when there were relatively few tubes on the market, way before the advent of TV. The model 257 employs every design improvement and every technique learned over an uninterrupted production period of 32 years. Accurate Instrument Co., Inc.

SEND NO MONEY WITH ORDER
PAY POSTMAN NOTHING ON DELIVERY

Try it for 10 days before you buy. If completely satisfied then send \$10.00 and pay the balance at the rate of \$10.00 per month until the total price of \$47.50 (plus P.P., handling and budget charge) is paid. If not completely satisfied, return to us, no explanation necessary.

ACCURATE INSTRUMENT CO., INC.

Dept. 631 2435 White Plains Road, Bronx, N. Y. 10467

Please rush me one Model 257. If satisfactory I agree to pay \$10.00 within 10 days and balance at rate of \$10.00 per month until total price of \$47.50 (plus P.P., handling and budget charge) is paid. If not satisfactory, I may return for cancellation of account.

Name _____

Address _____

City _____ Zone _____ State _____

Save Money! Check here and enclose \$47.50 with this coupon and we will pay all shipping charges. You still retain the privilege of returning after 10 day trial for full refund.

Circle 34 on reader service card

JIF

CLEANER AND LUBRICANT



JIF has
1001 uses

Cat No. 8670-6
Suggested Net \$1.79

This All-Purpose Cleaner and Lubricant is heavily fortified with miracle silicone for permanent lubrication. JIF is completely safe, non-flammable, will not harm plastics, and goes to work in seconds.

Always insist on  ...
you'll get more for your money, every time!

GC ELECTRONICS DIVISION OF HYDROMETALS, INC.
MAIN PLANT: ROCKFORD, ILL. U.S.A.

Giant New FREE Catalog! ... Only GC gives you everything in electronics... has for almost 40 years. Write for your copy today!



has everything
in **CHEMICALS**



Circle 35 on reader service card

is the one through which the wire should be inserted. Otherwise, a component lead may accidentally be pushed out by the inserted wire, as happened to me at one such point. The tone control driver board is then installed and partially wired. Solderless connectors are used almost exclusively on this board, greatly reducing the kit builder's strife. I also found they facilitated troubleshooting the audio output stages later on.

The front and main chassis construction is completed followed by the final lamp socket, front panel, dial cord, and AM antenna installation.

Testing the receiver

Scott has gone to the trouble of installing a test switch which puts one of the ac outlets on the rear chassis in series with the power transformer primary winding. A 15-watt lamp is screwed into a lamp socket and plugged into this outlet. It provides a visual indication of excessive ac line current, and protects the receiver from damage. In addition, the series lamp enables measuring power supply voltages using the signal strength meter under reduced voltage conditions.

As an experienced kit builder, I was frankly tempted to skip the formalities, plug the receiver in with the test switch in the normal operating position and turn it on. I am very glad I resisted, since the bright lamp indicated there was a short causing excessive primary transformer current. I traced the trouble to a piece of wire under one of the output transistors, shorting the above-ground collector to the chassis. The short must have occurred when the transistor was installed by the manufacturer. This particular problem may or may not have been found by the inexperienced kit builder who follows the troubleshooting chart. Step 11 in the chart checks for wire scrap near the output transistors, and step 12 checks for proper transistor installation with particular note of the mica insulating washers. In any event the test procedure proved extremely valuable, and prevents the grief of burned-up transistors, blown fuses, and the like. While troubleshooting I discovered an error in the output transistor portion of the schematic which Scott has probably found and corrected by this time.

Adjustment and alignment

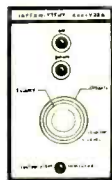
After the light bulb test, full ac line voltage is applied, the power amplifier bias adjusted, and the power supply voltages checked at their operating levels. The amplifiers, input switch, and function switch are



Vectorious Oscilloscope.

There's a real victory in the making of this new B&K Diagnostic Oscilloscope. We're making the idea of using the oscilloscope popular again. And one of the victory signs is that our oscilloscope is also a vectorscope.

In fact, it's the only one that locates all vector inputs and controls on the front panel. Which is simply for your convenience. (Something for which oscilloscopes have not been noted.)



Here's another sign of victory: Our oscilloscope has an intermittent analyzer with electronic memory and optional audio/visual remote alarm. A diagnostic exclusive from B&K...

With it, the elusive intermittent conditions that make so many TV sets tough dogs can now be detected and identified in your absence. Preset one control. When the faulty stage is detected, you'll know about it as soon as you come back from service calls. Then run the scope overnight to check another set for an intermittent condition.

All this adds up to greater shop efficiency, more time for profit-making service calls and a lot more mileage out of a very fine diagnostic oscilloscope.

An oscilloscope that shows vector patterns exactly as specified by color TV manufacturers. And permits reading peak-to-peak voltages in all ranges on a double-scale calibrated screen—just by turning a switch. (As the range is selected, the appropriate scale

lights automatically.)

Automatic synchronization locks in all patterns at any signal level or frequency. There are also fewer controls and these are positioned for easier operation.

Give our Diagnostic Oscilloscope/Vectorscope some thought. And you'll realize that it's a victory for your side, too. See your B&K Distributor or drop us a note for detailed literature on Model 1450 and our full-line test equipment catalog, AP-24.

Model 1450, Net: \$279⁹⁵



B & K Division of DYNASCAN CORPORATION
1801 W. Belle Plaine • Chicago, Illinois 60613
Where electronic innovation is a way of life.

Circle 36 on reader service card

BURGLAR ALARM

Series 6000 solid state microwave Doppler Radar Systems in the UHF Range provide complete wall-to-wall, floor-to-ceiling protection for an area of up to 2500 feet per sensor.



- Stable operation, with two alarm stages.
- Transistorized design, low power consumption, (less than 3 watt).
- Compatible with all other types of burglar alarm equipment.
- Modular construction, adaptable to every installation.
- Automatic, variable reset of alarm conditions, from 5 sec. min. to 10 min. plus.
- Low cost, only 5¢ to 15¢ per protected sq. ft., depending on final systems configuration.
- Designed for continuous, indoor operation and easy installation.

artronix

SURVEILLANCE

4390 LINDELL BLVD., ST. LOUIS, MO. 63108
AREA CODE 314 PHONE: 371-5314

Circle 37 on reader service card

More and More Servicemen Say:

"We've tried cheaper substitutes . . . now

WE'RE BACK TO
DEPENDABLE, RELIABLE

"**NO NOISE**"

World's No. 1 TRUSTED NAME BRAND

- VOLUME CONTROL & CONTACT RESTORER
- TUNER-TONIC with PERMA-FILM
- EC-44 FOR ELECTRICAL CONTACTS
- TAPE-RECO HEAD CLEANER
- FRIGID-AIR CIRCUIT COOLER

All Guaranteed Non-Flammable, No Carbon Tet, Non-Toxic, Non-Drift Tuner Cleaner And Guaranteed Not To Affect Plastics.

The Only Brand Perfect For
Color TV and Black & White

FREE extender assembly for pin-point application supplied with ALL NO-NOISE PRODUCTS.

Electronic Chemical Corp.

813 Communipaw Ave. / Jersey City, N. J. 07304

Circle 38 on reader service card

checked by injecting hum at various input jacks. The signal strength meter is adjusted, followed by adjustment of the FM noise muting and stereo threshold circuits. Following Scott's adjustment procedure results in some weak stereo stations being received in the stereo mode resulting in an objectionably high noise level. I found it desirable to increase the stereo threshold slightly so that the weaker stereo stations are received in the mono mode with the corresponding 23 db increase in signal to noise ratio.

Next is the FM front end and i.f. alignment. One problem encountered during this procedure was that binding coil slugs combined with torsional give in the supplied alignment tool made some adjustments difficult to optimize.

Dial cord calibration was performed using an on-the-air signal. The optional FM tuner alignment was carried out with no discernible improvement in performance. The AM alignment was not done as the manual points out the improvement over the factory prealignment would be slight. Also using this receiver for AM reception seems a terrible waste.—

Steven H. Leckerts

IR-E

DISTORTION

With an rf input of 1100 mV (strong signal condition) at 95 MHz, a frequency deviation of 75 KHz with a modulation frequency of 400 Hz, total harmonic distortion measured to be 1.1%. (THD was reduced to 0.7% by adjusting the discriminator transformer.) (A part of this distortion may have been produced by the alignment generator.—Editor)

RECOVERED AUDIO

With the rf input as above, the recovered audio at the high detector output is 150 mV rms.

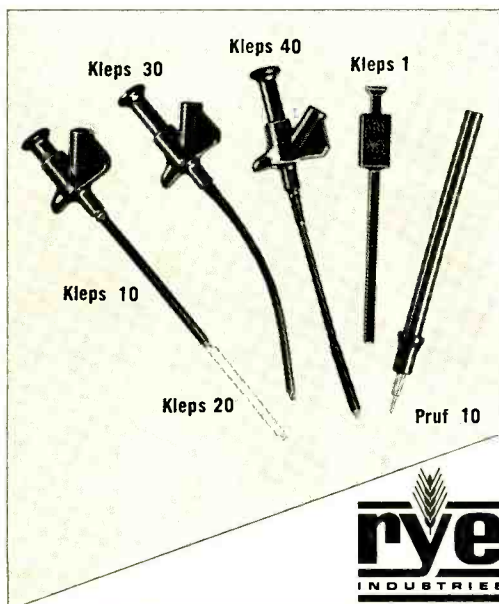
SENSITIVITY

With the rf input as above, modulation is removed and the signal reduced until the detected output is reduced 30 dB. The rf input level at this point is 5 μ V (300 ohm input, corresponds to 2.5 μ V into 75 ohms).

CAPTURE RATIO

The capture ratio was measured at the tape output connector after the 75- μ sec de emphasis network. With two rf generators on the same frequency, the desired signal is reduced to cause the detected signal to be reduced by 1 dB. The additional signal reduction necessary to reduce the tape output an additional 30 dB is measured. This change of 5 dB divided by two gives a capture ratio of 2.5 dB.

Clever Kleps



Test probes designed by your needs— Push to seize, push to release (all Kleps spring loaded).

Kleps 10. Boathook type clamp grips wires, lugs, terminals. Accepts banana plug or bare wire lead. 4 $\frac{3}{4}$ " long. **\$1.19**

Kleps 20. Same, but 7" long. **\$1.39**

Kleps 30. Completely flexible. Forked-tongue gripper. Accepts banana plug or bare lead. 6" long. **\$1.47**

Kleps 40. Completely flexible. 3-segment automatic collet firmly grips wire ends, PC-board terminals, connector pins. Accepts banana plug or plain wire. 6 $\frac{1}{4}$ " long. **\$2.39**

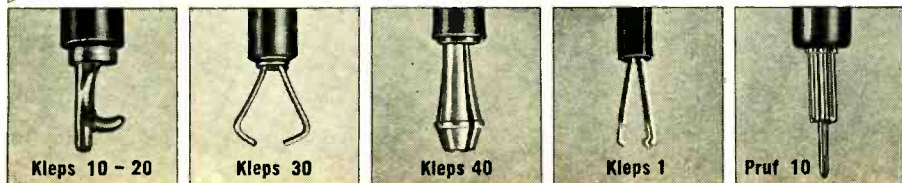
Kleps 1. Economy Kleps for light line work (not lab quality). Meshing claws. 4 $\frac{1}{2}$ " long. **\$.99**

Prof 10. Versatile test prod. Solder connection. Molded phenolic. Doubles as scribing tool. "Bunch" pin fits banana jack. Phone tip. 5 $\frac{1}{2}$ " long. **\$.79**

All in red or black — specify.
For additional information, write for our complete catalog of — test probes, plugs, sockets, connectors, earphones, headsets, and miniature components.

Available through your local distributor, or write to:
RYE INDUSTRIES, INC.
129 Spencer Place, Mamaroneck, N.Y. 10543

rye
INDUSTRIES



Circle 39 on reader service card

COMING NEXT MONTH

Is your car ready for summer driving? Watch for the special section on automotive electronics in the April RADIO-ELECTRONICS.

- Build an Electronic Ignition
- Sequential Turn Indicator
- Electronics in Today's Cars

generate



The RCA WR-50B RF Signal Generator with sweep features is versatile, portable, and exceptionally well suited for alignment and signal tracing of AM, FM, hi-fi and citizen's band receivers and trouble-shooting in nearly all sections of TV receivers. IT'S ONLY \$65.00.* Also available in an easy to assemble kit, WR-50B(K).



The RCA WA-504A Transistorized Sine/Square Wave Audio Signal Generator covers a frequency range from 20 Hz to 200,000 Hz with exceptional frequency stability. For use in audio, hi-fi and general electronics applications, as well as in electronics training, demonstrations and lab work. ONLY \$95.00*



The RCA WR-69A Television/FM Sweep Generator is designed for lab, service, and production applications for sweep-frequency alignment of color and black and white TV receivers and broadcast FM receivers. It's also used to align VHF tuners, picture-and-sound IF amplifiers, video amplifiers and chrominance circuitry in color TV receivers. AND IT'S ONLY \$295.00.*



The RCA WP-700A and WP-702A Power Supplies are extremely reliable, solid-state, constant voltage DC power supplies that provide 0 to 20 volts dc at current levels up to 200mA. WP-702A is actually identical to WP-700A, except it is a dual unit with two complete power supply sections. WP-700A IS ONLY \$40.00* in quantities over five, and WP-702A IS ONLY \$73.00* in quantities over five. Prices on less than five units are \$48.00* and \$87.00* respectively.



The RCA WR-70A RF/IF/VF Marker Adder is designed for use with conventional markers and sweep generators such as the RCA WR-39, WR-89 and WR-99 series calibrators and the WR-59 and WR-69 series sweep generators to produce clean, narrow markers on the sweep-response curve on an oscilloscope. AND IT'S ONLY \$96.00.*



The RCA WR-99A Crystal-Calibrated Marker Generator combines in one compact, accurate, and stable instrument the functions of a multiple-marker generator, crystal calibrator and a heterodyne frequency meter. Ideal for servicing and aligning color and black and white TV receivers, communications and other equipment in the frequency range of 19 to 260 MHz ONLY \$256.50.*

*Optional Distributor resale price.

For a complete catalog of descriptions and specifications for all RCA test equipment see your RCA Test Equipment distributor or write RCA Electronic Components, Commercial Engineering, Department No. C-39W, Harrison, N. J. 07029.

LOOK TO RCA FOR INSTRUMENTS TO TEST/MEASURE/VIEW/MONITOR/GENERATE

Circle 40 on reader service card

The TRUE electronic solution to a major problem of engine operation!

DELTA'S FABULOUS

MARK TEN[®]



Only \$44.95 ppd.
In easy-to-build Deltakit[®]
Only \$29.95 ppd.

CAPACITIVE DISCHARGE IGNITION SYSTEM

You've read about The Mark Ten in *Mechanix Illustrated*, *Popular Mechanics*, *Electronics* and other publications!

Now discover for yourself the dramatic improvement in performance of your car, camper, jeep, truck, boat—any vehicle! Delta's remarkable electronic achievement saves on gas, promotes better acceleration, gives your car that zip you've always wanted. Find out why even Detroit has finally come around. In four years of proven reliability, Delta's Mark Ten has set new records of ignition benefits. **No re-wiring!** Works on literally any type of gasoline engine.

Why settle for less when you can buy the original DELTA Mark Ten, never excelled and so unique that a U.S. Patent has been granted.

READY FOR THESE BENEFITS?

- ▲ Dramatic Increase in Performance and in Fast Acceleration
- ▲ Promotes more Complete Combustion
- ▲ Points and Plugs last 3 to 10 Times Longer
- ▲ Up to 20% Mileage Increase (saves gas)

LITERATURE SENT BY RETURN MAIL
BETTER YET — ORDER TODAY!



DELTA PRODUCTS, INC.

P.O. Box 1147 RE • Grand Junction, Colo. 81501

Enclosed is \$_____ Ship ppd. Ship C.O.D.
Please send:

- Mark Tens (Deltakit[®]) @ \$29.95
(12 VOLT POSITIVE OR NEGATIVE GROUND ONLY)
- Mark Tens (Assembled) @ \$44.95
- 6 Volt: Negative Ground only.
- 12 Volt: Specify Positive Ground Negative Ground

Car Year _____ Make _____

Name _____

Address _____

City, State _____ Zip _____

Circle 41 on reader service card

EQUIPMENT REPORT

Heathkit SB-310 Shortwave Receiver

For manufacturer's literature, circle No. 26 on Reader Service Card.

HEATHKIT SEEMS TO TURN OUT REGULARLY kits that match or outperform similar assembled units at several times their price. With the SB-310 shortwave receiver, they've obviously done it again.

The 310 is a nine-band, nine-tube, dual-conversion superhet receiver that, as purchased, uses 13 crystals and a \$73 "linear master oscillator" to deliver outstanding stability and performance. Six of the nine international shortwave bands are covered—49, 41, 31, 25, 19 and 16 meters. (An optional kit, replacing the 11-meter CB band, covers 13 meters and the 15-meter amateur band.) Amateur band coverage is on 80, 40 and 20 meters.



With the AM crystal filter supplied, reception is possible on AM, CW and upper SSB. Three accessory crystal filters sharpen CW and SSB selectivity, and an additional bfo crystal included with the SSB filters extends coverage to lower SSB.

A PRESELECTOR control tunes both grid and plate circuits of rf amplifier V1 (in conjunction with switch-selected antenna coils) to the proper frequency. It is quickly adjusted by tuning for maximum noise or signal.

Next the signal is coupled to the grid of first mixer V2, and combined with the crystal-controlled output of oscillator V4. An oscillator crystal and coil combination is switched into the plate and grid circuits of V4 with the BAND selector.

Sum and difference frequency outputs of V4 are filtered by pass-band coupler T2, which passes only 8.395–8.895-MHz frequencies.

NEW! from SECO

"IN - CIRCUIT" CURRENT CHECKER

Eliminates most common cause of "callbacks" (unstable focus, shrinking pictures, etc.)! Should pay for itself on next months' calls alone!



Nothing else like the HC-8 available! Tune horizontal drive and linearity for "dip"—and in seconds—you've got best possible focus, width and stability at minimum cathode current. Makes convergence adjustments faster, easier—longer lasting!

Especially useful on color TV where a slight misadjustment of horizontal linearity or efficiency coils drives cathode currents sky high! 5 pre-wired sockets for all popular horizontal output tubes lets you plug into circuit fast—no clipping or unsoldering of leads! **\$34.50^{Net}**

ASK YOUR DISTRIBUTOR
or write for full details.

SECO ELECTRONICS CORP.

1001 Second St. So. • Hopkins, Minn. 55343

Circle 44 on reader service card

Tuning is handled at the second conversion stage, V3, where the signal output of T2 is beat with the output of a "linear master oscillator" (LMO).

The LMO is a sealed, prealigned unit. V5's output can be varied from 5-5.5 MHz with the tuning dial, which adjusts a linear permeability-tuned coil in the grid circuit. LMO frequency output is the difference between the signal from filter T2 and the receiver's 3.395-MHz second i.f.

Selectivity in the 310 is the result of three crystal filters, to which the i.f. output of V3 is sent. The basic kit is supplied with a filter for AM only. Other filters offering sharper selectivity can be purchased separately for CW and SSB reception. Bandwidth of the AM is 5 kHz at -6 dB and 15 kHz at -60 dB. An accessory CW filter has a 400-Hz width at -6 dB and 2-kHz width at -60 dB. A "standard" filter for SSB is 2.1 kHz at -6 dB and 7 kHz at -60 dB, and a "deluxe" filter is 2.1 kHz at -6 dB and 5 kHz at -60 dB.

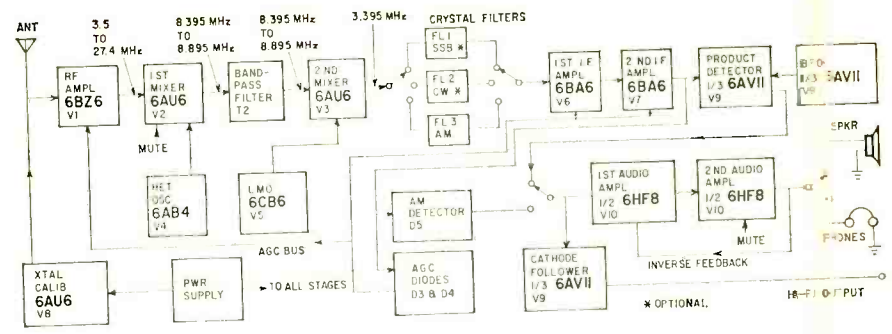
After filtering, the i.f. signal is amplified by V6 and V7. A front-panel meter, marked in S-units and decibels, is connected between these stages, and calibrated initially to zero with the antenna removed. A noise-limiter circuit (two diodes, two capacitors) is included in the plate circuit of V7, and is activated by pulling out the A.F. GAIN knob. The limiter is a self-biasing type, so its limiting point varies as the signal level rises and falls.

Automatic gain control voltage varies the gain of rf amplifier V1 and i.f. amplifiers V6 and V7. A front-panel AGC switch varies the control time of this voltage with "slow" and "fast" settings.

Triode V9 is used as a product detector in the single-sideband and CW modes, a beat-frequency oscillator (bfo), and a cathode follower for a low-impedance connection to a hi-fi amplifier. Oscillation frequency of the bfo is determined by the position of the MODE switch: in the LSB (lower sideband) position it is 3393.6 kHz and in USB (upper sideband) 3396.4 kHz.

In all but the AM mode of reception, the i.f. and bfo frequencies are mixed in the product detector portion of V9. The output of V9 is fed to a two-stage audio amplifier, V10. During AM reception, the bfo is off and the i.f. signal is detected by a diode prior to af amplification.

The 310 is calibrated through V8, a crystal-controlled 100-kHz oscillator. Alignment of the calibrator calls for adjusting the oscillator to time station WWV.



The 310 went together in about 22 hours. The two PC boards (i.f. and rf) included can be prepared very quickly. There are 21 coil-capacitor

combinations to be prepared for connection to the main band-selector switch. (The coils are shielded from stray fields by a metal cover on top

To celebrate the introduction of the new Johnson Lifetime .002 Crystal . . .

Johnson has crystal-ized 3 fabulous deals for you!

Buy a Messenger 100 or Messenger III at the suggested CB net price—and get a complete set of the new Johnson LIFETIME Crystals ABSOLUTELY FREE! (Don't need a new rig just now? Buy any Johnson accessory for 20% off!)

It's Johnson's way of dramatically acquainting you with the incomparable new Johnson LIFETIME .002 Crystal, whose precision and frequency stability are *guaranteed for life* . . .

offer expires April 30th

Available from participating Johnson Distributors



DEAL #1 Save \$29.⁵⁰

ON A
Messenger 100
including all 12 crystals!

Exceptional buy on an outstanding, proven 6-channel performer!

Reg. price with all 12 crystals installed: \$159.45
Sale price: \$129.95

DEAL #2 Save \$64.⁹⁰

ON A
Messenger III
including all 24 crystals!

The great 12-channel mobile champion at an unheard of price!

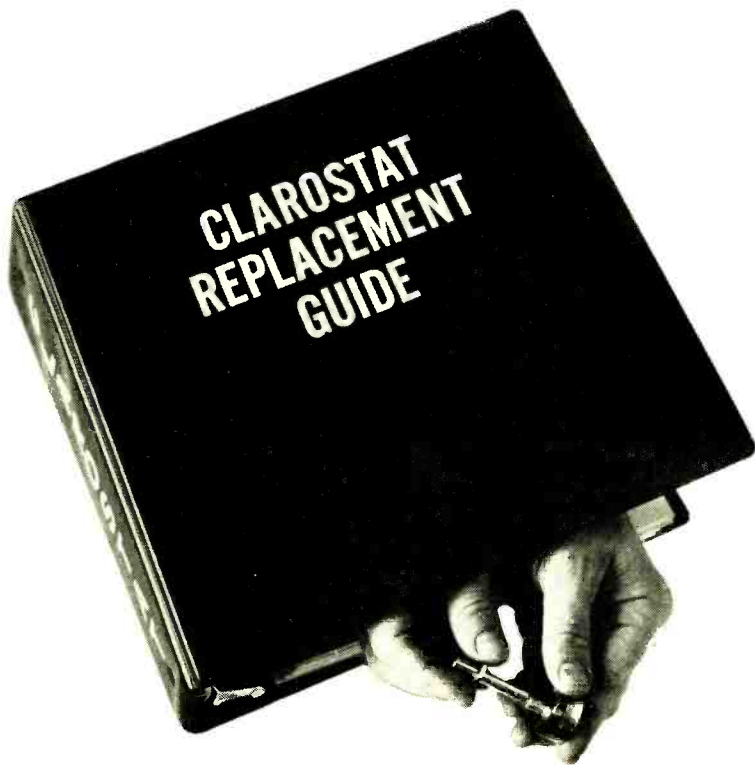
Reg. price with all 24 crystals installed: \$224.85
Sale price: \$159.95

DEAL #3 Save 20% on any JOHNSON ACCESSORY with this CERTIFICATE!

Clip out this certificate and take it to your E. F. Johnson Distributor or Dealer for a full 20% discount off the suggested CB net price of any Johnson accessory.

E. F. JOHNSON COMPANY
WASECA, MINNESOTA 56093

Circle 42 on reader service card



Let his fingers do the walking . . . through the white pages

Every Clarostat Uni-Tite Distributor has the almost-magic Clarostat Replacement guide. From it you or he can put together in seconds every TV and Radio Control in popular demand just by knowing the model number of the set, the chassis number and the component function or the manufacturer's part number.

And that goes for every single manufacturer and every control in popular demand.

Know what that means?

No more foot-tapping-waits while the search goes on in musty bins.

A quick reference to be sure you're right.

And Clarostat-quality controls.

So send your feet over to your Clarostat Distributor . . . and let his fingers do the walking . . . in the Clarostat Replacement Guide.

CLAROSTAT

Dover, N.H. 03820, Dept. 109.

Circle 43 on reader service card

of the chassis.) Connecting crystals and coils to the selector switch requires care; I discovered two wiring errors during a final check before turning the receiver on.

Biggest challenge is attaching the circular dial to the LMO with its dial pointer arm, drive pulleys and dial window. When the combination is aligned, a nylon pointer attached to the dial-pointer drive arm tracks in a spiral groove behind the calibrated dial, and the dial pointer travels smoothly from 0 to 5, indicating the position of the LMO in 1-MHz steps.

Once the dial assembly was properly aligned, I found the 310 offered excellent accuracy, stability, sensitivity and selectivity. Reception was impressive even with the simplest of antennas: an indoor antenna consisting of a length of wire. On all bands that were tested, dial calibration indicated an accuracy of ± 1 kHz. (When shifting from one band to another, the zero hair line in the dial window can be adjusted slightly with a small knob while zero beating with the 100-kHz calibrator.)

I first put the 310 through its paces during a period of high solar activity, and consequently the short-wave bands were crackling with action. The receiver's excellent selectivity and image rejection were demonstrated at several crowded points on some bands: a series of six to eight stations were often tuned at 5-kHz separation without interference between them.

In addition to providing excellent selectivity, the receiver's crystal filter shape factor of 3 provides good fidelity to AM signals.

A meter with high input impedance is the only equipment needed to set up the 310. It is used to peak the 21 heterodyne-oscillator, antenna and rf coils.—*John R. Free* **R-E**

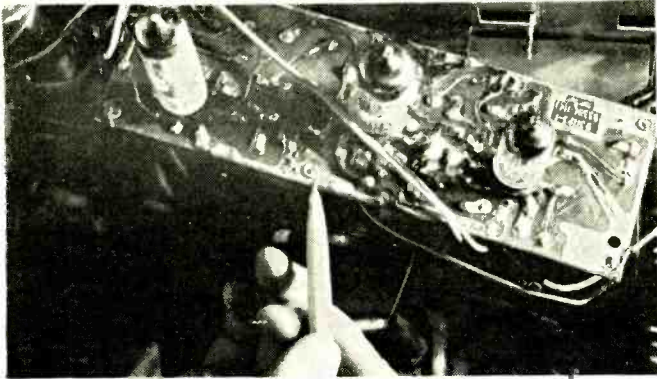
Manufacturer's Specifications

Frequency range (MHz): 3.5-4, 5.7-6.2, 7.0-7.5, 9.5-10.0, 11.5-12.0, 14.0-14.5, 15.0-15.5, 17.5-18.0, 26.9-27.4. **I.f.:** 3.395 MHz. **Frequency stability:** Less than 100-Hz drift after 20 minutes warmup, and for $\pm 10\%$ line-voltage change. **Sensitivity:** less than 0.3 μ V for 10 dB signal-plus-noise to noise ratio (SSB). **Gain:** Less than 1.75 μ V for 1/2-watt audio output (SSB). **Selectivity:** AM: 5.0 kHz at 6 dB down, 15 kHz at 60 dB down. **Image rejection:** 60 dB or better. **I.F. rejection:** 40 dB or better. **Spurious response:** all below 1 μ V equivalent signal input except at 10.0, 15.375 and 27.1 MHz. **Dial accuracy:** within 400 Hz (electrical), 200 Hz (visual). **Dial backlash:** less than 50 Hz. **Antenna input impedance:** 50 ohms nominal unbalanced.

TECHNOTES

INTERMITTENT SOUND

We had an RCA KCS-97 chassis come in with intermittent sound. Slight pressure on the sound i.f. and audio printed circuit board caused the sound to come and go. A close inspection of the board did not reveal any possible cause for the trouble. Broken capacitors in the ratio de-



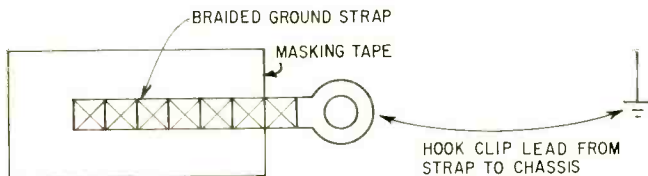
tor can have been known to cause the same symptoms so we replaced the transformer. The intermittent remained.

Checking the board more closely, we found one of the grounding eyelets was not making good contact with the printed circuit. A good hot soldering iron and a little rosin flux on the eyelet cured the intermittent.—*Homer L. Davidson*

GROUND THAT PIX TUBE

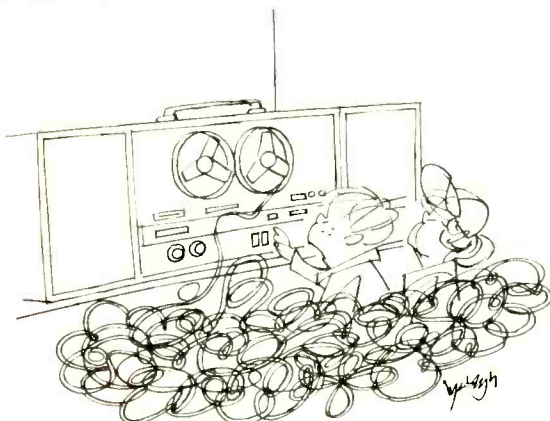
It is very important that you ground the picture tube Aquadag coating when troubleshooting any chassis which has been removed from its cabinet.

In addition to the uncomfortable shock hazard, there is the possibility of erroneous voltage readings throughout the chassis. Also, the static voltage spikes which appear on the



ungrounded Aquadag coating can harm some components—especially transistors. Picture size and appearance may also be affected.

A practical grounding device is shown in the drawing. Apply a wide piece of masking tape over a length of flat braided ground strap. After pressing it against the CRT Aquadag, connect a clip lead between the braid and chassis.—*Sylvania Service Notebook* R-E



"When dad plays it he gets music."

Designed and manufactured in U.S.A.

NEVER A BURNOUT

IN 6 EMC DIODE-PROTECTED VOMS

NOBODY ELSE BUT EMC DESIGNS IN SO MUCH VALUE!
 • Professional quality and versatility • Lifetime protection against electrical abuse • No meter burn-out, needle damage, or fuse replacement

VOLOMETER

Model 109A Factory Wired & Tested \$28.95
 Model 109AK Easy-to-Assemble Kit \$21.15
 20,000 Ω/v DC sens. 10,000 Ω/v AC sens. $4\frac{1}{2}''$, 40 μ a meter. High impact bakelite case. 5 DC voltage ranges: 0-6-60-300-600-3000v. 5 AC voltage ranges: 0-12-120-600-1200-3000v. 3 DC current ranges: 0-6-60-600ma. 3 AC current ranges: 0-30-300ma; 0-3A. 3 resistance ranges: 0-20K, -200K, -20 megs. 5 db ranges: -4 to +67db. With carrying strap. $5\frac{1}{4}''$ W x $6\frac{3}{4}''$ H x $2\frac{7}{8}''$ D.

VOLOMETER

Model 103A Factory Wired & Tested \$20.75
 Model 103AK Easy-to-Assemble Kit \$16.80
 $4\frac{1}{2}''$, 2% accurate, 800 μ a D'Arsonval type meter. One zero adjustment for both resistance ranges. High impact bakelite case. 5 AC voltage ranges: 0-6-60-300-600-3000v. 5 DC voltage ranges: 0-12-120-600-1200-3000v. 5 db ranges: -4 to +64db. 5 AC current ranges: 0-30-150-600ma. 4 DC current ranges: 0-6-30-120ma; 0-1.2A. 2 resistance ranges: 0-1K, 0-1 meg. $5\frac{1}{4}''$ W x $6\frac{3}{4}''$ H x $2\frac{7}{8}''$ D.

POCKET SIZE VOLOMETER

Model 102A
 Factory Wired & Tested \$16.95
 Model 102AK Easy-to-Assemble Kit \$14.40
 $3\frac{1}{2}''$, 2% accurate 800 μ a D'Arsonval type meter. One zero adj. for both res. ranges. High impact bakelite case. 5 AC voltage ranges: 0-12-120-600-1200-3000v. 5 DC voltage ranges: 0-6-60-300-600-3000v. 3 AC current ranges: 0-30-150-600ma. 4 DC current ranges: 0-6-30-130ma; 0-1.2A. Resistance: 0-1K, 0-1 meg. $3\frac{3}{4}''$ W x $6\frac{3}{4}''$ H x $2''$ D.



EMC, 625 Broadway, New York 12, N.Y.

Send me FREE catalog of the complete value-packed EMC line, and name of local distributor.

RE-3

NAME _____

ADDRESS _____

CITY _____ ZONE _____ STATE _____

EMC

ELECTRONIC MEASUREMENTS CORP.
 625 Broadway, New York 12, New York
 Export: Pan-Mar Corp., 1270 3rd Ave., N.Y. 1

FREE



GIANT 1969 RADIO-TV ELECTRONICS CATALOG

228 GIANT VALUE-
PACKED PAGES



YOUR BUYING GUIDE FOR . . .
 TV's, Radios, Recorders, Phonos,
 Amateur and CB equipment, elec-
 tronic parts, tubes and test equip-
 ment . . . plus featuring B-A's
 famous bargain packed section!

WRITE FOR YOUR FREE CATALOG TODAY!

BURSTEIN-APPLEBEE CO., RE-C
 3199 MERCIER ST., KANSAS CITY, MO. 64111

Name _____

Address _____

City _____

State _____ Zip Code _____

Circle 45 on reader service card

RADIO-ELECTRONICS READER SERVICE

Here's how you can get manufacturers' literature fast:

1. Tear out the post card on the facing page. Clearly print or type your name and address. **Include zip code!**
2. Circle the number on the card that corresponds to the number appearing at the bottom of the **New Products, New Literature or Equipment Report** in which you are interested.
For literature on products **advertised** in this issue, circle the number on the card that corresponds to the number appearing at the bottom of the advertisement in which you are interested. Use the convenient index below to locate quickly a particular advertisement.
3. Mail the card to us (no postage required in U.S.A.)

ACCURATE INSTRUMENT COMPANY, INC. (p. 69)	Circle 34		
AEROVOX CORPORATION (p. 90)	Circle 120		
ALLIED RADIO CORPORATION (p. 82)	Circle 107		
ARCTURUS ELECTRONICS CORPORATION (p. 97)	Circle 135		
ARROW FASTENER COMPANY, INC. (p. 14)	Circle 17		
ARTRONIX (p. 72)	Circle 37		
B & K (Division of Dynascan Corporation) (p. 71)	Circle 36		
BROOKS RADIO AND TV CORPORATION (p. 92-93)	Circle 127		
BURSTEIN-APPLEBEE COMPANY (p. 77)	Circle 45		
CASTLE TV TUNER SERVICE, INC. (p. 7)	Circle 12		
CARINGELLA ELECTRONICS, INC. (p. 96)	Circle 130		
CHEMTRONICS (p. 60)	Circle 29		
CLAROSTAT MANUFACTURING COMPANY, INC. (p. 76)	Circle 43		
CLEVELAND INSTITUTE OF ELECTRONICS (p. 46-49)	Circle 28		
(Slide Rule) (p. 82)	Circle 109		
(Slide Rule) (p. 93)	Circle 126		
DELTA PRODUCTS, INC. (p. 16)	Circle 19		
DELTA PRODUCTS, INC. (p. 74)	Circle 41		
DELTA PRODUCTS, INC. (p. 83)	Circle 110		
EDMUND SCIENTIFIC COMPANY (p. 99)	Circle 139		
ELECTRO-VOICE, INC. (p. 14)	Circle 16		
ELECTRONIC CHEMICAL COMPANY (p. 72)	Circle 38		
EICO ELECTRONIC INSTRUMENT COMPANY, INC. (Cover II)	Circle 8		
FINNEY COMPANY (Cover III)	Circle 149		
GAVIN INSTRUMENTS, INC. (Subsidiary of Advance Ross Corp). (p. 95)	Circle 129		
GC ELECTRONICS COMPANY (p. 70)	Circle 35		
HEALD ENGINEERING COLLEGE (p. 61)	Circle 31		
HEATH COMPANY (p. 88-89)	Circle 119		
HICKOK ELECTRICAL INSTRUMENT COMPANY (p. 87)	Circle 118		
INJECTORALL ELECTRONICS CORPORATION (p. 93)	Circle 125		
INTERNATIONAL CRYSTAL MANUFACTURING COMPANY (p. 100)	Circle 148		
INTERNATIONAL TEXTBOOK COMPANY (p. 5)	Circle 11		
JENSEN MANUFACTURING (Division of The Muter Company) (p. 68)	Circle 33		
JFD ELECTRONICS CORPORATION (p. 15)	Circle 18		
E. F. JOHNSON COMPANY (p. 75)	Circle 42		
JUDSON RESEARCH AND MANUFACTURING COMPANY (p. 86)	Circle 116		
KARLSON RESEARCH AND MANUFACTURING (p. 92)	Circle 124		
LEADER TEST INSTRUMENTS (p. 16)	Circle 20		
LORAL DISTRIBUTOR PRODUCTS (Division of Lorai Corporation) (p. 27)	Circle 25		
MERCURY ELECTRONICS CORPORATION (p. 81)	Circle 106		
MOSLEY ELECTRONICS, INC. (p. 4)	Circle 9		
MUSIC ASSOCIATED (p. 84)	Circle 112		
OAKTRON (p. 84)	Circle 113		
OLSON ELECTRONICS, INC. (p. 86)	Circle 115		
PENNWOOD NUMECHRON COMPANY (p. 92)	Circle 123		
POLY PAKS (p. 98)	Circle 137		
QUIETROLE COMPANY (p. 82)	Circle 108		
RAYTHEHON (p. 85)	Circle 114		
RCA TEST EQUIPMENT (p. 73)	Circle 40		
RYE INDUSTRIES, INC. (p. 72)	Circle 39		
SCHOBER ORGAN (p. 58)	Circle 30		
SCOTT, INC., H. H. (p. 86)	Circle 100		
SECO ELECTRONICS (p. 74)	Circle 44		
SENCORE (p. 22)	Circle 24		
SOLID STATE SALES (p. 99)	Circle 138		
SYLVANIA (Subsidiary of General Telephone & Electronics) (p. 17)	Circle 21		
TAB BOOKS (p. 91)	Circle 122		
TV TECH AIDS (p. 96)	Circle 131		
WELLER ELECTRIC COMPANY (p. 12)	Circle 14		
YEATS APPLIANCE DOLLY SALES (p. 4)	Circle 10		

NEW PRODUCTS

More information on new products is available from the manufacturers of items identified by a Reader Service number. Use the Reader Service Card at the left and circle the numbers of the new products on which you would like further information. Detach and mail the postage-paid card.

SWEEP/MARKER GENERATOR, SM-152, combines a vhf/uhf sweep and a crystal controlled marker generator. Designed to reduce alignment generator costs and to simplify color TV alignment. Provides 10-920 MHz linear sweep for all



TV and FM work; sweep width from 0.3-15 MHz. Pushbutton selection for i.f. or rf markers. Chroma and i.f. alignment is within 47.25 MHz range. Delivers rf video carrier on channels 4, 5, 10 and 13. Features post marker injection on all markers. \$349.50.—Sencore Inc.

Circle 46 on reader service card

STEREO HEADPHONE, Model SP-55, has two 2½" transducers, and soft foam rubber ear pads. Sensitivity, less than 2 mW; response, 30-15,000 Hz; impedance, 8 ohms. Has junction box for sets without



phone jack and 5" cord with standard phone plug. \$11.95.—Lafayette Radio Electronics Corp.

Circle 47 on reader service card

STEREO RECEIVER, TK-140x, 200-watt, FM/AM, solid state, features a

front-end section with 4-gang tuning capacitor, 3 FET's and 4 IC i.f. circuits. Sensitivity, 1.7 mV. Image rejection, cross modulation and i.f. rejection better than 100 dB. Alternate channel selectivity 45 dB. Harmonic distortion less than 0.5% at 400 Hz, 100% modulated signal. Includes 2 output terminals, 2-



channel preamp outputs, main amplifier inputs, electronic protection circuit and silicon power transistors. \$349.95.—Kenwood Electronics Inc.

Circle 48 on reader service card
CB TRANSCEIVER, "Royal," 23 chan-

DISGRACEFUL

“Isn't it? The way Mercury shamelessly offers top quality test equipment at such low prices. Compare the features with costlier models and see how Mercury gives you top value for your dollar. It's Wonderful.”



Model 2000—MUTUAL CONDUCTANCE TUBE TRANSISTOR TESTER

Tests all tube types, old and new, plus transistors. Tests Magnovals, Nuvistors, 10-pin Decals, Compactrons, Novars, 10-pin types, foreign and hi-fi tubes, thyratrons and industrial types. Tests for true dynamic mutual conductance (GM). Spots shorts, leakage and gas. Tests Color and B/W picture tubes with use of MH-3A Multi-Head Adapter (optional). Lever switch test principle overcomes obsolescence. Automatic line voltage regulation.

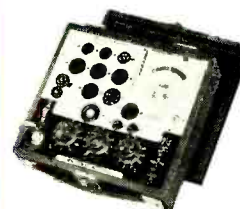
\$129⁹⁵



Model 1101—DELUXE TUBE TESTER

For new Magnovals, Decals, Nuvistors, All Popular Picture Tubes and most other receiving tube types. Checks tubes for dynamic cathode emission, shorts, grid leakage and gas. Picture Tube Adapter. Exclusive 2-point test principle safeguards against obsolescence.

Kit—\$49⁹⁵ /Wired \$69⁹⁵



Model 1100B—TUBE TESTER

Tests more tube types than any other tester in its price range. Tests for dynamic cathode emission, shorts, grid leakage and gas. Exclusive meter bridge circuit found only in more expensive testers. Professional quality at an economical price.

Kit—\$34⁹⁵ /Wired \$49⁹⁵

ALL MERCURY TEST EQUIPMENT GUARANTEED FOR ONE FULL YEAR!
UPDATED TUBE TEST DATA AVAILABLE ON ALL UNITS.



MERCURY ELECTRONICS CORPORATION

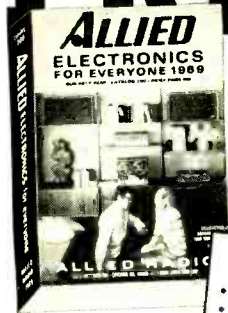
315 ROSLYN ROAD, MINEOLA, N. Y. 11501 • (516) 742-5400

CANADA: WILLIAM COHEN CORP., 8900 PARK AVE., MONTREAL 11

EXPORT: SINGER PRODUCTS CO., INC., 95 BROAD ST., N. Y. C. 10034, U. S. A.

Circle 106 on reader service card

FREE!



**NEW 1969
ALLIED
CATALOG**
**536
PAGES**

SAVE ON:

- Electronic & Hobby Kits
- Stereo Hi-Fi
- Tape Recorders, Tape
- CB 2-Way Radios
- Walkie-Talkies
- FM-AM & AM Radios
- Shortwave Receivers
- Portable TV
- Phonographs
- Amateur Gear
- Intercoms & PA
- Automotive Electronics
- Test Instruments
- TV Antennas & Tubes
- Power Tools, Hardware
- Tubes, Transistors
- Parts, Batteries, Books

**TOP SAVINGS ON
THE BEST IN
ELECTRONICS
FOR EVERYONE**

Shop by mail and save at Allied, world's largest electronics headquarters. Hundreds of money-saving values. **NO MONEY DOWN.** Up to 2 years to pay!

**MAIL COUPON
BELOW**

ALLIED RADIO, Dept. 052
P.O. Box 4398, Chicago, Ill. 60680 Please Print

NAME _____
First Middle Last

ADDRESS _____

CITY _____

STATE _____ ZIP _____

Circle 107 on reader service card

QUIETROLE

**The Original Control
and
Switch Lubri-Cleaner**

The oldest, most reliable and efficient product obtainable for positive lubrication and cleaning of TV Tuners, Controls and Switches. Harmless to plastics and metals. Zero effects on resistance and capacity. **Non-inflammable—non-conductive—non-corrosive.**

**The Choice of Better
Servicemen, Everywhere.**

*For Color and
Black and White*

Available in Aerosol or Bottle

Product of
QUIETROLE
COMPANY
Spartanburg, South Carolina



Circle 108 on reader service card

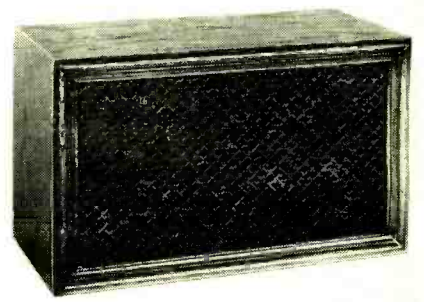
nel, solid-state, provides high selectivity with outside interference rejection. Features a full-time range-expand and speech compressor and modulation sam-



pler to adjust input to a proper audio level. Also includes hybrid ceramic filter, hand-wired and hand-soldered circuitry. Supplied with built-in 12 V transistor power supply for mobile operation. \$279. —Courier Communications Inc.

Circle 49 on reader service card

BOOKSHELF SPEAKER SYSTEM, AS-48, the damped reflex, tube ported 8-ohm system uses a 14" woofer with an 11½ lb. magnet assembly and a 4" copper ribbon voice coil in conjunction with a



2" radiator tweeter to handle up to 50 watts of program material. LC crossover network for 2000 Hz and wiring of hi-fi level control are completed before installation. \$169.95, kit.—Heath Co.

Circle 50 on reader service card

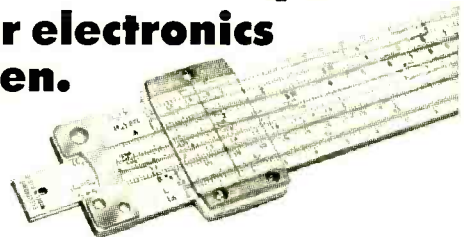
HI-FI MAINTENANCE KIT, "The Parastat," is designed for use on new records to be played with cartridges requiring



tracking pressures of less than 2 grams. After applying the chemical fluid (supplied) the fine nylon bristle brush (1/10 gram) against the surface of the disc gets into and cleans the minute high-frequency.

RADIO-ELECTRONICS

Portable "computer" for electronics men.



WANT FAST ANSWERS to math and electronics problems? Now, compute them in a flash with this new Electronics Slide Rule.

Calculate resonant frequencies, solve inductive or capacitive reactance problems, find reciprocals for resistance formulas, locate decimal points—all in just seconds, without pencil and paper.

Whiz through regular math problems, too: multiplication, division, square roots, logarithms, even trigonometric functions.

Sturdy 12-inch, all-metal slide rule comes complete with handsome leather carrying case—plus 4-lesson instruction course. Deliberately priced low as our way of making friends with electronics men. **FREE** booklet gives full details. Mail coupon below today.

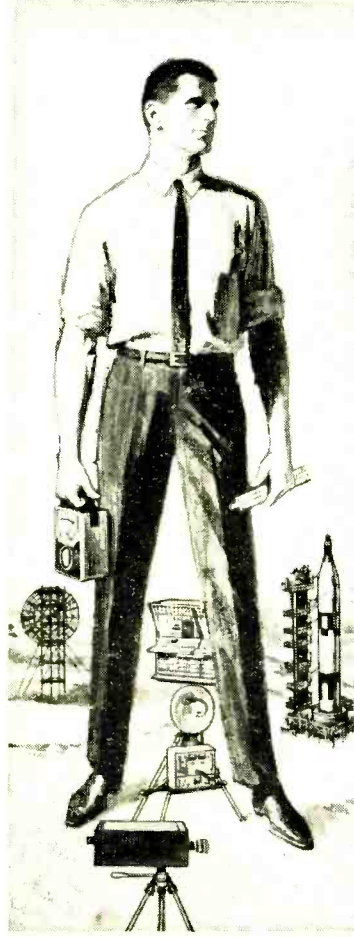
Mail Coupon for FREE Booklet

CIE Cleveland Institute of Electronics
1776 East 17th Street, Cleveland, Ohio 44114
Please send me, without charge or obligation, your booklet describing the Electronics Slide Rule and 4-lesson instruction course. Also free if I act at once—a handy, pocket-sized Electronics Data Guide.

Name _____ (Please Print)
 Address _____
 City _____ State _____ ZIP _____

Accredited Member National Home Study Council
A Leader in Electronics Training... Since 1934 **RE-162**

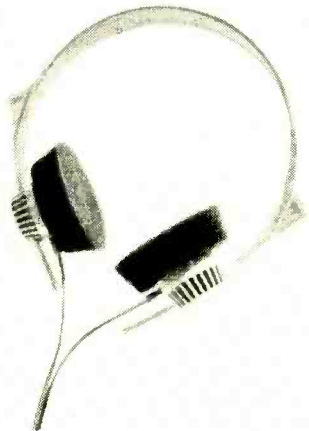
Circle 109 on reader service card



waveform grooves. With a pressure of only 1/10 gram any dirt in the grooves is removed. \$15.—Elpa Marketing Industries Inc.

Circle 51 on reader service card

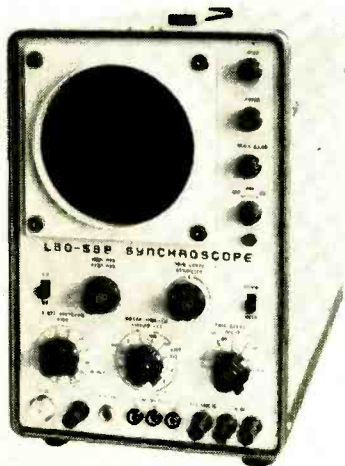
STEREO HEADPHONE, Model HD-414, Open-Aire, eliminates the need for closed cavities on either side of the earpiece diaphragms, and for air-tight seals against the user's ears. Without dis-



ortion, sound reproduced from 20 to 20,000 Hz. Low power requirements of voice coils permit direct connection to either low-impedance amplifiers or high-impedance outputs such as tape decks. \$28.50.—Sennheiser Electronic Corp.

Circle 52 on reader service card

TRIGGERED SCOPE, Model LBO-5SB, powered by 115 V @ 60 Hz 150 VA, is designed for a wide range of applications in audio, radio and pulse circuit development, waveform observation and voltage measurements. Features a frequency



response from dc to 5MHz with a rise time of 80 nanoseconds. Vertical sensitivity: 10 mV/cm; horizontal sweep speed: 1 μsec/cm maximum with a 5X sweep magnifier. \$299 includes 1 probe, 10:1 stepdown and 1 terminal adapter.—Leader Instruments Corp.

Circle 53 on reader service card

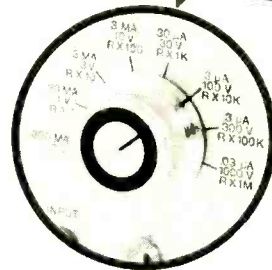
INSTRUMENT AMPLIFIERS, Model Pro features 3 inputs and a 12" Jensen speaker (\$69.95). **Model Realistic** (pho-

NEW DELTA DESIGN!

MODEL 3000 FET VOM



A unique and efficient instrument bridging the gap between a multimeter and a digital voltmeter!



Delta, pioneer of the famous Mark Ten® CD System, now offers a compact, versatile, and extremely sensitive VOM which combines FETs and ICs for extreme accuracy. Compact (6½" W x 8" H x 3½" D), portable, wt. 3¾ lbs. In full production at only

\$74.95
ppd.

Would you believe:

1. Mirror scale 200μ A D'Arsonval meter
2. Integrated circuit (IC) operational amplifier for extreme accuracy
3. FET input stage with current regulator
4. Two stage transistor current regulator and Zener diode on OHMS for absolute stability and accuracy
5. Voltage clippers for protection of input stage
6. Fully temperature compensated for low low zero drift
7. Ten turns ZERO and OHMS adjust potentiometers
8. Epoxy glass circuit boards and metal case
9. Enclosed switches
10. Uses readily available type AA cells
11. Uses standard test leads for maximum flexibility and ease of measurement
12. 10 Megohms input impedance

Available in Kit form:
Feedback network with pre-selected components to eliminate all final calibration. Ready to use when assembled!

Kit:
Only **\$59.95** ppd.

DELTA PRODUCTS, INC.
P. O. Box 1147, Grand Junction, Colorado 81501

I enclose \$ _____ . Please send postpaid:
_____ Model 3000 FET VOMs @ \$74.95 assembled
_____ Model 3000 FET VOMs @ \$59.95 kit form

Name _____

Address _____

City/State _____ Zip _____

DP B-7

Circle 110 on reader service card

TUBE TESTER OWNERS

WE HAVE THE
LATEST TUBE
DATA AND
ADAPTERS
FOR →

Don't let your
tube tester
become
obsolete

- EICO
- HEATH
- JACKSON
- KNIGHT
- MERCURY
- NRI-CONAR
- PRECISION
- SYLVANIA

CLIP AND MAIL COUPON TODAY

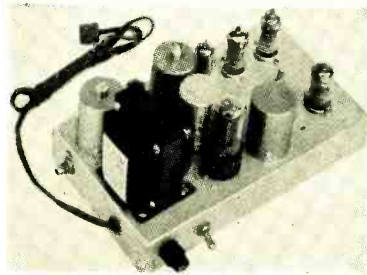
• COLETRONICS SERVICE INC.
• 1744 Rockaway Ave.,
• Hewlett, N.Y. 11557
• Please send me information on
• Model No. _____ and Make _____
• Name _____
• Address _____
• City _____ State _____ Zone _____

Circle 111 on reader service card

ENJOY THE "MUSIC ONLY" FM PROGRAMS

M. A. D.

MUSIC ASSOCIATED'S DETECTOR
NO COMMERCIALS—NO INTERRUPTIONS



It's easy! Just plug Music Associated's Sub Carrier Detector into multiplex jack of your FM tuner or easily wire into discriminator. Tune through your FM dial and hear programs of continuous commercial-free music you are now missing. The Detector, self-powered and with electronic mute for quieting between selections, permits reception of popular background music programs no longer sent by wire but transmitted as hidden programs on the FM broadcast band from coast to coast. Use with any FM tuner. Size: 5 1/2" x 9". Shipping weight approx. 7 lbs.

KIT \$49.50

(with pre-tuned coils, no alignment necessary)

WIRED \$75.00 (Covers extra \$4.95 ea.)

Current list of FM Broadcast stations with SCA authorization \$1.00

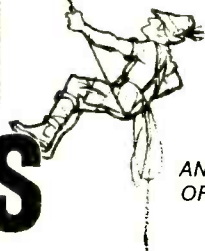
MUSIC ASSOCIATED

65 Glenwood Road, Upper Montclair, N. J.
Phone: (201)-744-3387 07043

Circle 112 on reader service card

ADD EXTRA PROFIT WITH OAKTRON SPEAKERS

- 1 PVS-800, unique, patented speaker-baffle combination that can be used inside or out. Out performs most 2-speaker units.
- 2 STEREO-SPEAKER KIT for cars, trailers, boats, or planes. Easy to install, 6 different models. Skin-packed ready to move.
- 3 REAR SEAT SPEAKER KIT. 20 models each includes all accessories. Skin-packed for easier merchandising.
- 4 REPLACEMENT SPEAKERS, highest quality, skin-packed, over 100 models to choose from.



AND A COMPLETE LINE
OF ASSOCIATED ITEMS

Write or phone for complete information from this major manufacturer of quality speakers.



OAKTRON

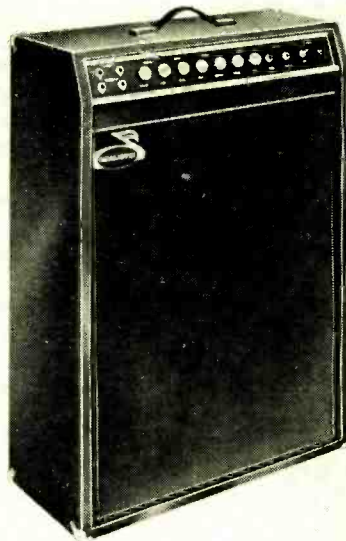


930 30th St., Monroe, Wisconsin 53566

Circle 113 on reader service card

www.americanradiohistory.com

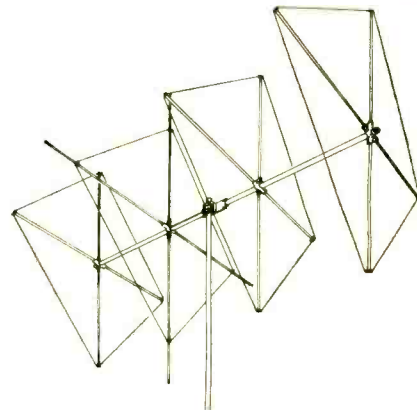
to), 20 watts, has a 15" speaker and two inputs, plus volume, bass and treble controls (\$119.95). Dual-channel model, 65 watts, has 4 inputs and two 12"



Jensen speakers (\$159.95). All housed in sturdy wood cabinets and covered with black vinyl. 117 Vac circuitry is fused with a power-on pilot light and on/off switch.—Radio Shack

Circle 54 on reader service card

CB CUBICAL ANTENNA has extended aperture elements and selectable polarity. A 3-position switch permits selecting horizontal, vertical or omnidirectional antenna. Boom diameter, 2"; boom



length, 20'; wind survival, 90 mph; front-to-back ratio, 38.7 dB; forward gain, 18 dB; SWR at resonance, 1.24:1; 52-ohm coax feedline. \$149.50.—Hy-gain Electronics Corp.

Circle 55 on reader service card

CB TRANSCEIVER, Courier 23, for either base-station or mobile operation.



Features 23 crystal-controlled channels; dual conversion; built-in 12-V transistor

power supply; single-knob tuning; illuminated S-rf meter and channel selector; PA system; adjustable noise limiter; covered plug-in relay and squelch. \$189.
—Courier Communications Inc.

Circle 56 on reader service card

ELECTRONIC MUSICAL INSTRUMENT, *Tunesmith*, has 32 standard organ size keys and provides melody with accompaniment from any keyboard instrument. Delivers six different voices, real pitch-change vibrato variable from



nothing to a warble. Draws only 3 watts of power for its solid-state circuitry and can be plugged into any guitar or hi-fi stereo amplifier for sound production. \$189.50, assembled; \$149.50, kit.—The Schober Organ Corp.

Circle 57 on reader service card

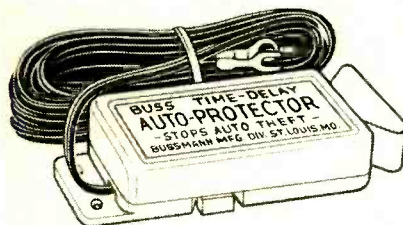
CB TRANSCEIVER, Model GT-523, solid-state, 23-channel unit is designed for mobile applications. Operates on a standard 12-14 volt dc source. Has a minimum transmitter output of 3 watts from 5 watt input. Sensitivity: less than



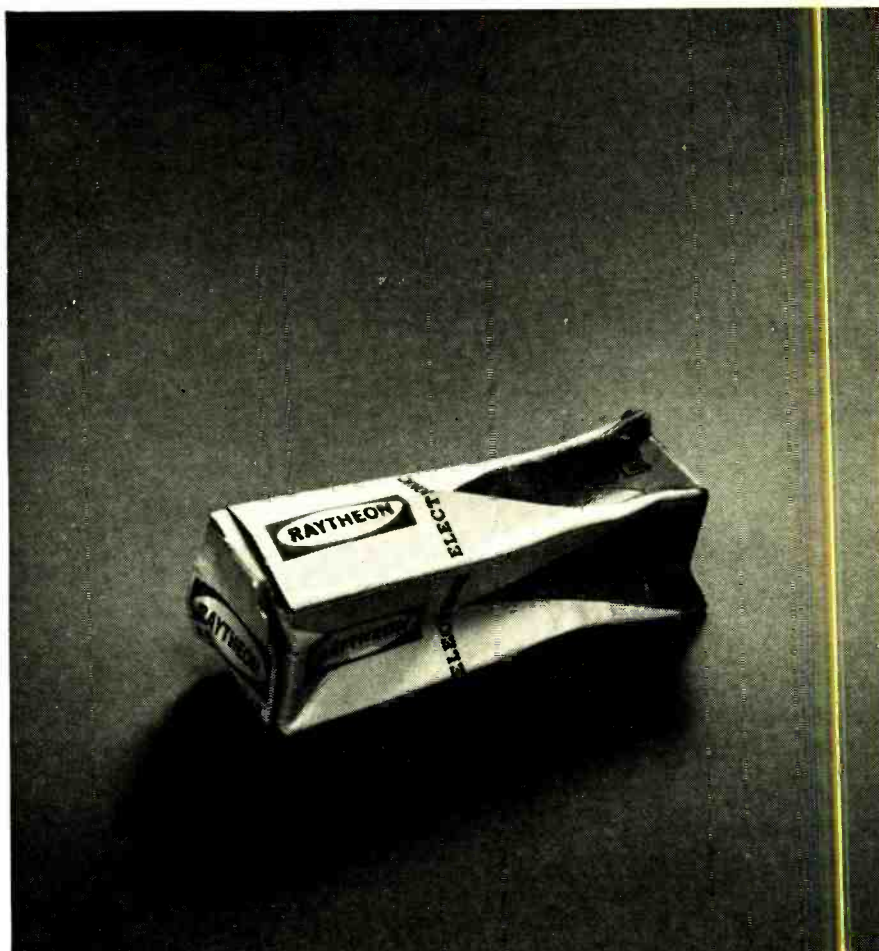
1 μ V for 10 dB S + N/N at 1,000 cycles. Modulation: 30%. Transmitter frequency accuracy ± 0.005 max. \$189 with coil-cord mike, mobile mounting bracket and synthesized crystal circuitry for all 23 channels.—Regency Electronics Inc.

Circle 58 on reader service card

AUTO PROTECTOR makes vehicle with 6 or 12 volt systems thief-proof after



installation. Conceal unit in location with space for operation and pass cable



A dud in 500 million?

Now and then, our big competitors knock us—because they'd like to have our share of your business. But they can't knock our product.

Because Raytheon receiving tubes are universally regarded as the most reliable in the industry. Ever since we produced the first vacuum tube, we've made them to just one specification: the highest quality standards.

All of our tubes have to shape up—to pass rigid electrical and mechanical performance checks.

That's why you rarely find a "dud" among the more than 500 million Raytheon receiving tubes we've made. It's also why you get fewer call-backs...earn greater customer satisfaction with your work...while

making more profit per tube. And it's the reason why Raytheon is the leading independent tube manufacturer serving the independent service dealer today.

Like to know more? Ask your distributor why he gets fewer Raytheon returns than with any other brand...and about his latest deal for you.

Raytheon Company, Receiving Tube Operation, Fourth Avenue, Burlington, Massachusetts 01803.



Remember to ask
"WHAT ELSE NEEDS FIXING?"

Circle 114 on reader service card

Olson



FREE

Fill in coupon for a **FREE** One Year Subscription to **OLSON ELECTRONICS' Fantastic Value Packed Catalog**—Unheard of **LOW, LOW PRICES** on Brand Name Speakers, Changers, Tubes, Tools, Stereo Amps, Tuners, CB, Hi-Fi's, and thousands of other Electronic Values. Credit plan available.

NAME _____
 ADDRESS _____
 CITY _____ STATE _____
 GIVE ZIP CODE _____

If you have a friend interested in electronics send his name and address for a **FREE** subscription also.

OLSON ELECTRONICS

349 S. Forge Street Akron, Ohio 44308

Circle 115 on reader service card

**WE DON'T CLAIM
 OUR ELECTRONIC
 IGNITION SYSTEM
 IS BEST . . .**



**OUR
 CUSTOMERS DO!**

WRITE TODAY FOR FREE LITERATURE

JUDSON

RESEARCH AND MFG. CO.
 CONSHOHOCKEN, PA., U.S.A.

Circle 116 on reader service card

Scott's new LR-88 receiver takes the



out of kit building

Ladies and children needn't leave the room when you build Scott's new LR-88 AM/FM stereo receiver kit. Full-color, full-size assembly drawings guide you through every stage . . . wires are color-coded, pre-cut, pre-stripped . . . and critical sections are completely wired and tested at the factory.

In about 30 goof-proof hours, you'll have completed one great receiver. The LR-88 includes FET front end, Integrated Circuit IF strip, and all the goodies that would cost you over a hundred dollars more if Scott did all the assembling.

Performance? Just check the specs below . . . and write to Scott for your copy of the detailed LR-88 story.

LR-88 Control Features: Dual Bass and Treble; Loudness; Balance; Volume compensation; Tape monitor; Mono/stereo control; Noise filter; Interstation muting; Dual speaker switches; Stereo microphone inputs; Front panel headphone output; Input selector; Signal strength meter; Zero-center meter; Stereo threshold control; Remote speaker mono/stereo control; Tuning control; Stereo indicator light. **LR-88 Specifications:** Music-Power rating (IHF), 135 Watts @ 4 Ohms; Usable sensitivity, 2.0 μ V; Harmonic distortion, 0.6%; Frequency response, 15-25,000 Hz \pm 1.5 dB; Cross modulation rejection, 80 dB; Selectivity, 45 dB; Capture ratio, 2.5 dB; Signal/noise ratio, 65 dB; Price \$334.95 (Recommended Audiophile Net)

You'll swear by it



Circle 100 on reader service card

SCOTT

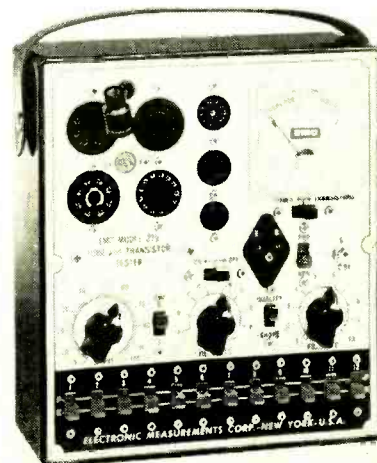
H. H. Scott, Inc.,
 Dept. 570-03, Maynard, Mass. 01754
 Walnut case optional

© 1968, H. H. Scott, Inc.

through convenient hole into engine compartment. Pull out control knob when you leave car. If car is started without resetting motor will stop in about 1 minute. Car will operate normally when owner returns and resets device. \$4.98. Extra Fuse-tron fuses available.—Bussmann Mfg. Div., McGraw-Edison Co.

Circle 59 on reader service card

TUBE AND TRANSISTOR TESTER, Model 215, checks over 2000 current tubes—7 to 10-pin tubes, compactrons, magnavols, nuvistors, etc. Also pnp and npn high and low power transistors for



ac amplification. Read-out on 3-color meter scale. Housed in rugged, portable, high-impact bakelite case with carrying strap. \$27.95, kit; \$42.95 factory-wired and tested.—Electronic Measurement Corp.

Circle 60 on reader service card

TREASURE FINDER, Model GB-1A, pinpoints a 12" long, 1/2" dia. rod at 12". Device is on when the headset is connected. Probe is 42" long, with electronics and batteries at one end. Headset



emits a constant low frequency tone. When probe nears a magnetic object, tone changes to a high-pitched squeal. Useful for treasure hunters, surveyors or police departments. \$595.—Schonsted Instrument Co. R-E

Circle 61 on reader service card

NEW LITERATURE

All booklets, catalogs, charts, data sheets and other literature listed here with a Reader Service number are free for the asking. Turn to the Reader Service Card facing page 78 and circle the numbers of the items you want. Then detach and mail the card. No postage required!

ILLUMINATED SWITCHES, snap-in mounting, push-button and matching indicator lights complete with data, drawings and ordering information for 513 Series momentary- and alternate-action switches are outlined with diagrams in 12-page *Catalog L-209*. Push-button caps described available in $\frac{5}{8}$ " round and square, and $\frac{3}{4}$ " x 1" rectangular. Indicator lights may be used as companion or independent switches.—**Dialight Corp.**

Circle 76 on reader service card

LOUDSPEAKERS in the Concert and Viking Series as well as Concert-Vibrato line of electronic musical instruments are illustrated in 16-page *Catalog 1090-C*. New items include water-proofed automotive stereo speaker, Model C5T8, and flame-retardant aircraft speaker, Model C8T5 (C8800). Specs and prices listed.—**The Muter Co., Jensen Mfg. Div.**

Circle 77 on reader service card

PHOTOCELL-LAMP MODULES. Loose individual data sheets on each of these are included in catalog entitled *Photomods*. Specs and technical data are given together with diagrams and charts. The four types of modules offered are for 6-volt, 12-volt, low current and neon lamps.—**Clairex Electronics Inc.**

Circle 78 on reader service card

SOLDERLESS TERMINALS AND CONNECTORS plus noninsulated and insulated single grip, insulated bell-mouth single and double grips, various styles of quick connectors and adapters ranging from 6-22 AWG are shown in actual size in colorful "wall catalog" which permits easy selection of correct style to other applications. Hand-operated attaching tools and miscellaneous connectors and tubing are also displayed.—**Vaco Products Co.**

Circle 79 on reader service card

ELECTRIC POWER TOOLS and soldering guns, industrially rated for professional as well as home craftsmen are illustrated and described in 16-page *Catalog No. 158*. Also included are tool performance characteristics, power tool applications, accessories, multi-speed sabre saws and many others.—**Wen Products Inc.**

Circle 80 on reader service card

GUIDE TO RELAY BUYING. 12 pages, covers information on trade-offs in relay selection, showing many cost saving practices. Also included is a relay ordering checklist designed to answer most of the basic questions asked in fitting a relay to a particular application.—**Cornell-Dubilier Electronics**

Circle 81 on reader service card

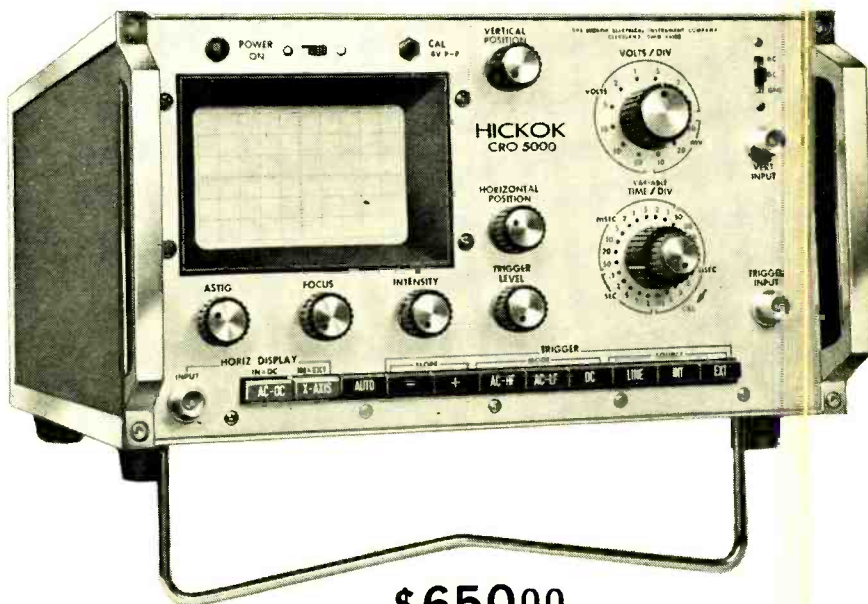
POWER SUPPLIES Instruments and systems for laboratory, test equipment and OEM applications are fully described in 56-page catalog. Complete specs and prices for over 300 models of power supplies, including the company's new COMPACT Mark II™ line of IC power supplies and systems, plus the industry's first power supply assembly system using standard components and accessories supplied preassembled ready to plug into a customer's system.—**Lambda Electronics Corp.**

Circle 82 on reader service card

ELECTROLYTIC REPLACEMENT GUIDE. 68 pages, provides service technicians a handy reference for locating all kinds of electrolytic capacitor replacements. Cross reference sections including Color-Lytic, OEM numbers of 42 color set manufacturers to CDE Catalog numbers; other manufacturers to CDE numbers; and OEM numbers of major black/white set manufacturers to CDE numbers. Also a complete listing by voltage of CDE's tubular capacitors.—**Cornell-Dubilier Electronics**

Circle 83 on reader service card

HICKOK CRO 5000 25 MHz Oscilloscope (all solid state)



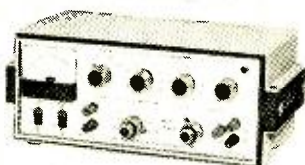
\$650.00

This high-precision laboratory oscilloscope equals the basic performance of higher priced, sophisticated 'scopes, yet meets the industry need for such performance in the \$600 price range. Emphasis has been placed mainly upon those characteristics most important in precise measurements, eliminating some of the more exotic and somewhat superfluous functions found in higher priced instruments. The result is an all-solid-state instrument in the medium price range with extraordinary stability, sensitivity, bandwidth, sweep-speed range, trigger capability, reliability, and ruggedness.

- 25MHz vertical bandwidth (to 3db down points)
- Usable to 50MHz
- All solid state for high stability and reliability
- 12 calibrated vertical attenuator ranges
10 mv/div to 50 volts/div ($\pm 3.0\%$ accuracy)
- 24 calibrated sweep ranges
0.05 microseconds/div to 2 sec/div ($\pm 3.0\%$ accuracy)
- Vertical delay line assures viewing of full leading edge of pulses
- "Sweep Delay" of up to 40 divisions
- Sweep speed continuously variable between ranges
- X-axis channel bandwidth DC — 5MHz
- 4" flat-faced CRT, 6 x 10 division graticule
- 3.8 kv HV provides sharp, bright trace
- Vertical amplifier will handle overloads, with negligible distortion of waveforms increased to 5 times screen height
- Internal 1.0% calibration squarewave
- Fast, convenient push-button selection of trigger modes
- Positive, solid triggering on all displays
- Small — 11 $\frac{1}{4}$ " W, 6 $\frac{7}{8}$ " H, 19" D; 24 pounds

"Performance-Plus" Kits For Shop And

NEW
kit IG-18
\$67⁵⁰
wired IGW-18
\$99⁵⁰



HEATHKIT IG-18 Solid-State Sine-Square Wave Generator

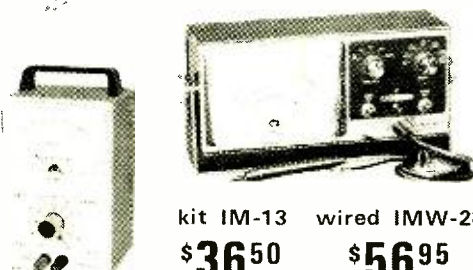
A precision source of sine or square waves at a low kit price . . . that's the new solid-state IG-18 from Heath. Delivers 5% accuracy thru the wide range of 1 Hz to 100 kHz. The sine wave section features less than 0.1% distortion thru the audio range, 8 output voltage ranges from 0.003 to 10V, switch-selected internal 600 ohm load or external load and metered output of both voltage & dB. The square wave section has a 50 nS rise time and three output voltage ranges from 0.1 to 10 V P-P. Both sine & square waves are available simultaneously and the frequency is switch-selected for constant repeatability and fast operation. Circuit board construction makes the new IG-18 easy to build . . . new Heathkit styling and engineering excellence make it easy to use. Put the new IG-18 on your bench now. 10 lbs.



kit IM-18
\$28⁵⁰
wired IMW-18
\$47⁹⁵

HEATHKIT IM-18 VTVM

The new Heathkit IM-18 continues the features that made the IM-11 famous . . . 7 AC and 7 DC voltage ranges that measure from 0-1500 volts full scale . . . 7 ohms ranges for measurements from 0.1 ohm to 1000 megohms . . . the convenience of a single probe . . . 11 megohm input impedance . . . ± 1 dB 25 Hz to 1 MHz response . . . precision 1% resistors . . . DC polarity reversing position on the function switch . . . RMS & P-P AC voltage and dB measurement capability . . . precision $4\frac{1}{2}$ " 200 uA meter for extra sensitivity. In addition, the new IM-18 has 120 V. or 240 V. AC wiring options, new Heathkit styling and a 3-wire line cord for safety. 5 lbs.



kit IM-13
\$36⁵⁰
wired IMW-28
\$56⁹⁵

HEATHKIT IM-13 "Service Bench" VTVM

The Heathkit IM-13 has the same performance specifications as the new IM-18 above, but it also incorporates other features that put it in a class by itself, such as a large, easy-to-read 6" meter . . . extra 1.5 and 5 volt AC ranges for additional accuracy . . . convenient gimbal mounting that allows attachment to your most convenient surface . . . "Set and Forget" calibration — all controls are adjustable from the front panel with a screwdriver . . . smooth ten-turn vernier control of Zero and Ohms adjust for greater accuracy and easier setting . . . clean, open parts layout and a readily accessible "ohms" battery. Assembly is easy, thanks to the famous Heathkit manual, and operating convenience and versatility are tops. For maximum value in a general service VTVM, you just can't beat the Heathkit IM-13. 7 lbs.

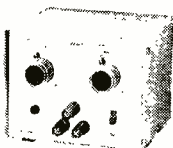
kit IM-38
\$39⁵⁰
wired IMW-38
\$54⁹⁵



HEATHKIT IM-38 Laboratory AC VTVM

For all around general service work, audio design or laboratory analysis, there isn't a better value than the new Heathkit IM-38 AC VTVM. Here's why — 10 voltage ranges measure from 0.01 to 300 volts RMS full scale . . . extended frequency response of 10 Hz to 500 kHz at ± 1 dB . . . 10 megohm input on all ranges for higher accuracy . . . wide -52 to $+52$ dB range . . . VU-type ballistic meter damping . . . very low AC noise . . . 120 or 240 VAC wiring options and new Heathkit styling in sharp beige & brown with an easy-to-grasp, easy-to-read knob. 5 lbs.

kit IP-18
\$19⁹⁵



HEATHKIT IP-18 1-15 VDC Power Supply

If you work with transistors, this is the power supply for you. All solid-state circuitry provides 1-15 VDC at up to 500 mA continuous. Features adjustable current limiting, voltage regulation, floating output for either + or — ground, AC or DC programming, circuit board construction, and small, compact size. 110 or 220 VAC. 5 lbs.

kit IT-18
\$24⁹⁵



HEATHKIT IT-18 In-Circuit Transistor Tester

In-Circuit transistor testers don't have to be expensive, and the IT-18 is proof of that . . . tests DC Beta 2-1000, in or out-of-circuit . . . leakage I_{cbo} and I_{ceo} current 0-5000 uA out-of-circuit . . . identifies NPN or PNP devices . . . tests diodes in or out-of-circuit for opens & shorts . . . identifies unknown diode leads . . . matches PNP & NPN transistors. The IT-18 is completely portable — runs on just one "D" cell. Easy to use too . . . rugged polypropylene case, attached 3' test leads, big $4\frac{1}{2}$ " 200 uA meter, all front panel controls, 10-turn calibrate control. 4 lbs.

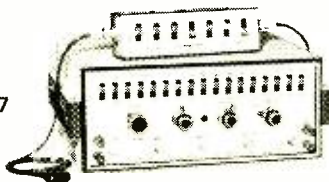
kit IM-17
\$21⁹⁵



HEATHKIT IM-17 Solid-State Volt-Ohm Meter

Another very popular volt-ohmmeter from Heathkit engineering and it's easy to see why — all solid-state circuitry . . . high impedance FET input, 11 megohms on DC, 1 megohm on AC . . . 4 AC voltage ranges . . . 4 DC voltage ranges . . . 4 ohm ranges . . . $4\frac{1}{2}$ " 200 uA meter . . . 3 built-in test leads . . . DC polarity reversing switch . . . zero-adjust & ohms-adjust controls . . . continuous 12-position function switch. And that's not all — the IM-17 is battery powered for complete portability and comes in a rugged polypropylene case with built-in handle. Simple circuit board assembly. 4 lbs.

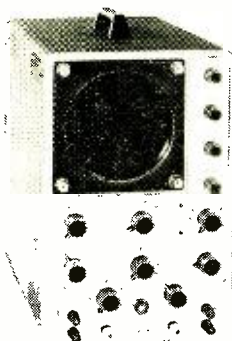
kit IG-57
\$135⁰⁰
wired IGW-57
\$199⁰⁰



HEATHKIT IG-57 Solid-State Post Marker/Sweep Generator

The new IG-57 plus a 'scope is all you need . . . no external sweep generator required. Switch selection of any of 15 crystal-controlled marker frequencies (you can view up to six different frequencies on one 'scope trace). Select the sweep range and you are ready to instantly see the results of any changes you make. Four markers for setting color bandpass, one for TV sound, eight at IF frequencies between 39.75 & 47.25 MHz plus picture and sound carrier markers for channels 4 & 10. Three sweep oscillators produce the 5 most-used ranges . . . color bandpass, FM IF, color & B&W IF and VHF channels 4 & 10. Save hundreds of dollars and put full alignment facilities in your shop too — order your IG-57 now. 14 lbs. Kit IG-14, same as IG-57 w/o the sweep, 11 lbs. \$99.95.

kit IO-18
\$84⁹⁵



wired IOW-18
\$139⁹⁵

HEATHKIT IO-18 Wide-Band 5" 'Scope

The New Heathkit IO-18 is destined to be the world's most popular 'scope, just as its predecessor, the IO-12 was. Features 5 MHz bandwidth, the famous Heath patented sweep circuit — 10 Hz to 500 kHz in 5 ranges, two extra sweep positions which can be preset to often-used rates, frequency compensated vertical attenuation, built-in P-P calibration reference, Z-axis input, retrace blanking, wiring options for 120 or 240 VAC operation and new Heathkit styling in beige and brown. 24 lbs.

Home . . . From The Leader



Now There are 4 Heathkit Color TV's . . .
All With 2-Year Picture Tube Warranty

NEW Deluxe "681" Color TV With Automatic Fine Tuning

The new Heathkit GR-681 is the most advanced color TV on the market. A strong claim, but easy to prove. Compare the "681" against every other TV — there isn't one available for any price that has all these features. Automatic Fine Tuning on all 83 channels . . . just push a button and the factory assembled solid-state circuit takes over to automatically tune the best color picture in the industry. Push another front-panel button and the VHF channel selector rotates until you reach the desired station, automatically. Built-in cable-type remote control that allows you to turn the "681" on and off and change VHF channels without moving from your chair. Or add the optional GRA-681-6 Wireless Remote Control described below. A bridge-type low voltage power supply for superior regulation; high & low AC taps are provided to insure that the picture transmitted exactly fits the "681" screen. Automatic degaussing, 2-speed transistor UHF tuner, hi-fi sound output, two VHF antenna inputs . . . plus the built-in self-servicing aids that are standard on all Heathkit color TV's but can't be bought on any other set for any price . . . plus all the features of the famous "295" below. Compare the "681" against the others . . . and be convinced.

GRA-295-4, Mediterranean cabinet shown **\$119.50**
Other cabinets from \$62.95

Deluxe "295" Color TV . . . Model GR-295

Big, Bold, Beautiful . . . and packed with features. Top quality American brand color tube with 295 sq. in. viewing area . . . new improved phosphors and low voltage supply with boosted B + for brighter, livelier color . . . automatic degaussing . . . exclusive Heath Magna-Shield . . . Automatic Color Control & Automatic Gain Control for color purity, and flutter-free pictures under all conditions . . . preassembled IF strip with 3 stages instead of the usual two . . . deluxe VHF tuner with "memory" fine tuning . . . three-way installation — wall, custom or any of the beautiful Heath factory assembled cabinets. Add to that the unique Heathkit self-servicing features like the built-in dot generator and full color photos in the comprehensive manual that let you set-up, converge and maintain the best color picture at all times, and can save you up to \$200 over the life of your set in service calls. For the best color picture around, order your "295" now.

GRA-295-1, Walnut cabinet shown **\$62.95**
Other cabinets from \$99.95

Deluxe "227" Color TV . . . Model GR-227

Has same high performance features and built-in servicing facilities as the GR-295, except for 227 sq. inch viewing area. The vertical swing-out chassis makes for fast, easy servicing and installation. The dynamic convergence control board can be placed so that it is easily accessible anytime you wish to "touch-up" the picture.

GRA-227-1, Walnut cabinet shown **\$59.95**
Mediterranean style also available at \$99.50

Deluxe "180" Color TV . . . Model GR-180

Same high performance features and exclusive self-servicing facilities as the GR-295 except for 180 sq. inch viewing area. Feature for feature the Heathkit "180" is your best buy in deluxe color TV viewing . . . tubes alone list for over \$245. For extra savings, extra beauty and convenience, add the table model cabinet and mobile cart.

GRS-180-5, table model cabinet and cart **\$39.95**
Other cabinets from \$24.95

Now, Wireless Remote Control For Heathkit Color TV's

Control your Heathkit Color TV from your easy chair, turn it on and off, change VHF channels, volume, color and tint, all by sonic remote control. No cables cluttering the room . . . the handheld transmitter is all electronic, powered by a small 9 v. battery, housed in a small, smartly styled beige plastic case. The receiver contains an integrated circuit and a meter for adjustment ease. Installation is easy even in older Heathkit color TV's thanks to circuit board wiring harness construction. For greater TV enjoyment, order yours now.

kit GRA-681-6, 7 lbs., for Heathkit GR-681 Color TV's **\$59.95**

kit GRA-295-6, 9 lbs., for Heathkit GR-295 & GR-25 TV's **\$69.95**

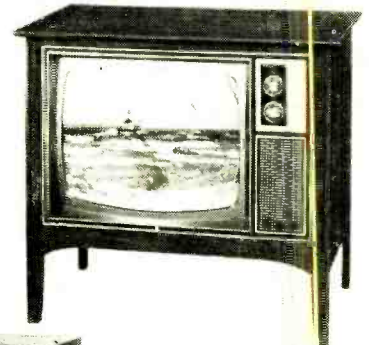
kit GRA-227-6, 9 lbs., for Heathkit GR-227 & GR-180 TV's **\$69.95**



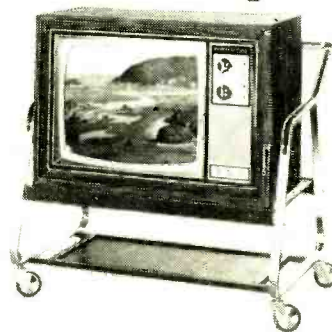
kit GR-681
\$499⁹⁵
(less cabinet)



kit GR-295
now only
\$449⁹⁵
(less cabinet)



kit GR-227
now only
\$399⁹⁵
(less cabinet)



kit GR-180
now only
\$349⁹⁵
(less cabinet)



New Wireless
TV Remote Control
For GR-295, GR-227
& GR-180
\$69⁹⁵

New Wireless
TV Remote Control
For GR-681
\$59⁹⁵



NEW

FREE 1969 CATALOG!

Now with more kits, more color. Fully describes these along with over 300 kits for stereo/hi-fi, color TV, electronic organs, electric guitar & amplifier, amateur radio, marine, educational, CB, home & hobby. Mail coupon or write Heath Company, Benton Harbor, Michigan 49022.

HEATH COMPANY, Dept. 20-3
Benton Harbor, Michigan 49022
In Canada, Daystrom Ltd.

Enclosed is \$ _____ plus shipping.

Please send model (s)
 Please send FREE Heathkit Catalog.
 Please send Credit Application.

Name _____

Address _____

City _____

State _____

Zip _____

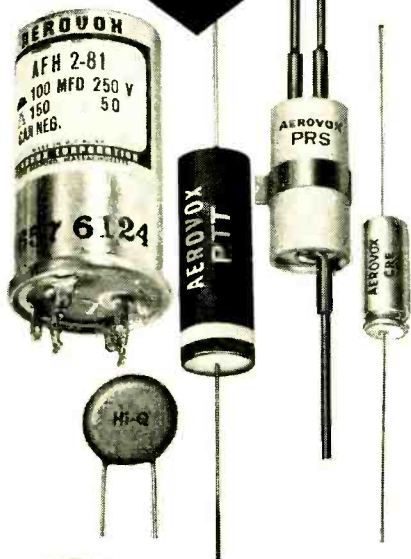
Prices & specifications subject to change without notice.

CR-31-3

Use Aerovox capacitors available from your local AEROVOX DISTRIBUTOR

He's your best "one-stop" source for virtually every replacement capacitor you require. He carries the complete Aerovox line which includes: ceramics, micas, electrolytics, papers, film and interference filters. So no matter what your replacement requirement, you're sure to find it at an Aerovox Distributor.

service it
FAST
with
components
that
LAST!



AEROVOX
Hi-Q
AEROVOX
CORPORATION

DISTRIBUTOR SALES, New Bedford, Mass. 02741

Circle 120 on reader service card

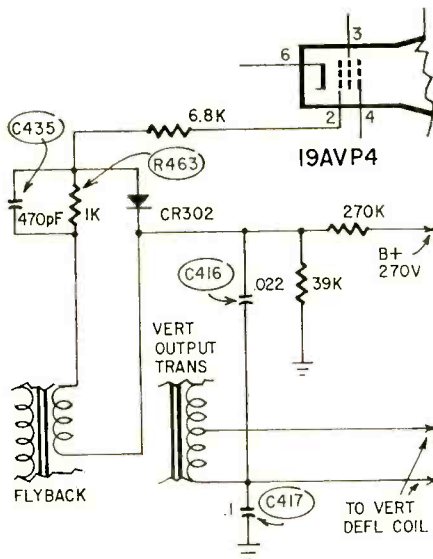
Service Clinic

By JACK DARR
SERVICE EDITOR

Horizontal shading in raster

I've a TV defect I've never seen before. In an Admiral 19A3 portable, the picture is "faded" from left to right! One side of the screen is almost entirely dark, there's an area in the center that shades from light to dark, and the vertical retrace lines show, but cut off very sharply in the center of the screen!—J. C., Berlin, N. Y.

If this shading was vertical—that is, if you had horizontal hum bars on



the screen, where would you look? Right—into something that was letting 60-Hz signals get into the video or sweep. You've got the equivalent of this, but your shading is horizontal; if broken into bars, they'd be vertical.

Something is letting *horizontal-frequency* ripple get into the picture. I'd check out all filter and bypass capacitors around the horizontal sweep

This column is for your service problems—TV, radio, audio or general and industrial electronics. We answer all questions individually by mail, free of charge, and the more interesting ones will be printed here.

If you're really stuck, write us. We'll do our best to help you. Don't forget to enclose a stamped, self-addressed envelope. Write: Service Editor, Radio-Electronics, 200 Park Ave. South, New York 10003.

circuits. Trouble in this chassis could also be due to an open-circuited C416 (0.022 μ F), the retrace blanking capacitor that's connected from the vertical output transformer up to the control grid of the CRT through a resistor-diode network (see the diagram).

Since there is also a 0.1- μ F bypass (C417) connected just below C416 at the feed point, this could upset the bypassing. This would allow some of the horizontal blanking pulses to be too great, by changing the time constant of the pulse-shaping network (R463-C435-CR302) which is fed from the flyback. R-E

DEALERS! HOBBYISTS!



NEW AND FREE FROM WINEGARD

Our giant catalog of TV and FM antennas, mounts, wire, couplers, amplifiers, wall plates and antenna systems equipment!

Now, for the first time ever, you can have Winegard's sensational 52-page Catalog illustrating and describing the world's most complete line of high quality antennas and MATV equipment for homes and commercial buildings. That's right! Even if you're not in the electronics business, you can use this Catalog to select Winegard products. Send for your FREE copy today, plus the name of your nearest Winegard distributor.



WINEGARD COMPANY, 3013-1 Kirkwood Street
Burlington, Iowa 52601

Gentlemen: Please send me your FREE Catalog.
 Electronics is my business. Electronics is my hobby.

NAME _____ (please print)

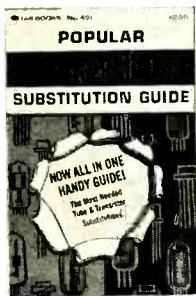
ADDRESS _____

CITY _____

STATE _____ ZIP _____

At Last—An All-in-One Tube/Transistor Substitution Guide!

NOW—The most needed data for Tubes and Transistors all in one handy volume!



491—POPULAR TUBE & TRANSISTOR SUBSTITUTION GUIDE. Brand-New! No longer do you have to refer to one substitution manual for tubes and another for transistors—everything is here in one quick-reference guide. Designed to fit into a tiny slot in your tube caddy or on your workbench, this guide lists 99% of the tubes and transistors you'll ever need to replace. Moreover, only readily-available and comparably-priced substitutes are listed—no longer do you have to search through lists of tubes and transistors you'll rarely see in use, or search through pages of irrelevant material to find a substitute. Why buy a \$10 lurching transistor when a 98¢ popular

type will do the job better? Contains 8 big sections—four devoted to tubes and four to transistors. You'll find this guide to be one of the most practical everyday aids you've ever used. It will enable you to repair many sets for which replacement tubes and transistors are not available. It will provide you with on-the-job substitutes so you can complete more repairs without waiting for exact replacements to arrive, or making extra trips to the distributor. Try an all-in-one guidebook. **\$2.95**

Also available with long-life simulated leather cover at only **\$4.95**

All You Need to Know About Semiconductors



493—SEMICONDUCTORS From A to Z By Phillip Dahlen. Here it is—everything you need to know about semiconductors—from basic diodes and transistors to FETs, MOS FETs, tunnel diodes, integrated circuits, varicaps, photo-FETs, opto-electronic circuits, unijunction transistors, field-effect diodes, SCR and zener diodes, etc. Written in language anyone can understand, it explains how these various devices work and how they are used, with complete descriptions of all the common and unique circuits used in modern semiconductor technology. Considerable attention is given to integrated circuit applications—variable-current and constant-current sources, unbalanced differential amplifiers, IC applications in FM and TV receivers, TV sound circuits, discriminator circuits, and cascade amplifier networks. Several chapters are devoted to the new field of opto-electronic circuits, including uses for photovoltaic and photoconductive cells and a "needle-less" phono pickup. 256 pps., over 300 illus. **\$4.95**

A Handy Guide to All Types of Solid-State Circuits



470—TRANSISTOR CIRCUIT GUIDEBOOK By Byron Wels. Regardless of your niche in the world of electronics, you'll find this collection of transistor and solid-state circuits of value. Definitely not a primer on the solid-state art, but a collection of basic and advanced circuits, covering the principal fields of electronics. Each circuit is accompanied by a brief description of how it works, pointing out unusual features and applications. Technicians who acquire a familiarity with these circuits will be far better equipped to cope with present and future equipment troubles. For experimenters and construction-minded readers there is enough information—parts lists, component specifications, coil data, etc.—to enable you to actually build the circuits and get them operating. Some circuits will serve as thought-starters for developing other designs. Amateurs and hobbyists will find many made-to-order circuits for the ham shack and home. 13 big sections; 104 circuits in all; 224 pps. **\$4.95**

Eases the Transition from B&W to Color Servicing



489—ON THE COLOR TV SERVICE BENCH By Jay F. Shane. A handy benchmate for practicing color TV technicians and B & W experts who want to break into color TV servicing. Here are commonsense service bench approaches for solving all sorts of color TV troubleshooting problems, many of them adapted from well-established B & W techniques. Definitely not a textbook, tells you how to tackle specific problems in a logical, professional way. Clearly explains how the operation of each circuit is affected by specific faulty components. You don't have to be an engineer to understand and use the information; it's all boiled down to essentials, including clear-cut facts evolved from numerous case histories. Includes step-by-step alignment instructions—RF, IF, chroma, demodulators, etc.—shows how to really put that dusty alignment gear to work, even how to use it for troubleshooting purposes. Guaranteed to help you gain the knowledge and skill you need. 192 pps., illustrated. **\$4.95**

How to Improve Your Efficiency in Using Modern Scopes



490—Advanced Techniques for TROUBLESHOOTING WITH THE OSCILLOSCOPE By Bob Goodmar. For progressive TV technicians, a practical guidebook on using modern scopes employing triggered sweep and dual-trace capabilities. This brand-new book abolishes all the mystery surrounding triggered-sweep scopes and their applications. It describes several reasonably-priced models (including a kit type), how to get the most out of your investment, how to interpret waveform displays (with over 100 photos), and how to employ the advantages of a single- or dual-trace triggered sweep in tube-type or solid-state circuits. Included are many actual case histories describing the cause and cure of specific troubles. Really gets down to the brass tacks of solid-state servicing—the do's and don'ts as they apply to specific circuits—including pulse and square wave tests for transistor and IC circuits. Also described is a simple inexpensive carrier-tracer for solid-state component checks. 256 pps., 267 illus. **\$4.95**

467—BROADCAST STATION OPERATING GUIDE.

By Sol Robinson. A comprehensive reference for anyone interested in broadcasting. Encompasses every level of responsibility. The secret to success in broadcasting, like in any other business, is knowing what to do and how to do it. The author, a well-known successful broadcaster, clearly explains what broadcasting is all about, to a depth that will be of special aid to newcomers in the business. Anyone who wants to know about broadcasting can learn a great deal from this book. For example, it tells how to formulate program schedules, including editorializing, "payola," lotteries, network shows, political broadcasts, the Fairness Doctrine, etc. It tells about market studies—population, demographics, audience preference surveys, advertising, etc. It offers guidelines for accounting procedures, filing FCC applications, operating in the public interest, commercial practices, announcing practices. It discusses considerations for establishing a new station—financing, engineering, legal problems—frequency search, transmitter site, studio location, equipment and program tests. And much, much more. 256 pages. Hardbound. **\$12.95**

492—INTERPRETING FCC BROADCAST RULES & REGULATIONS—Vol. 2—Just published—worth its small cost many times over to anyone involved in radio-TV broadcasting. Contains information essential for day-to-day station operations, as well as for reference. Covers such important facets as Overcommercialization, Cigarette Ad rulings, Recent changes in ID rules, the Personal Attack Rules, TV & CATV Cross-Ownership, and many others. Moreover the content not only explains what the FCC Rules require, but also provides clear-cut procedures for complying with federal regulations. 192 pps., Comb-bound. **\$6.95**

461—MANAGING TODAY'S RADIO STATION. A collection of critiques on the art, encompassing management, programming, and sales. 288 pps. **\$12.95**

266—THE MAN BEHIND THE MIKE. Use of the down-to-earth pointers contained in the 228-page volume will help anyone gain the knowledge to become a professional broadcaster. **\$7.95**

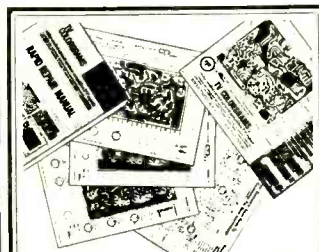
30—HANDBOOK OF SEMICONDUCTOR CIRCUITS. Complete operational data for

amplifiers, oscillators, logic and switching circuits, power supplies, and various non-linear circuits. 448 pps. **\$7.95**

197—ELECTRIC MOTOR TEST AND REPAIR. Rewinding and testing fractional horsepower motors, complete with information on wire size, insulation, etc. **\$6.95**

71—TESTING DC MOTORS & GENERATORS. Up-to-date repair data on field and armature windings, procedures for testing and analyzing motor troubles, etc. **\$2.50**

72—333 MOTOR REPAIR PROBLEMS SOLVED. Selected questions and answers chosen to solve tough-dog problems. **\$1.95**

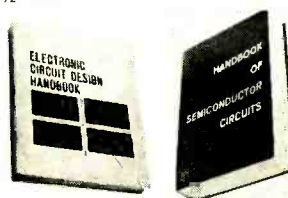


Color-Coded Schematics for 1500 TV Sets at 1.3¢ Per Set

Yes, now you can speed repair 1500 popular TV receivers for just about 1¢ each... with the serviceman-proved COLOR-CODED TV COLORGRAMS... which were a real bargain at their original total price of \$102.50. Now, offered at only \$19.95! Each COLORGRAM chart is clearly color-coded to show signal-flow, continuity, test points, and voltages. Each COLORGRAMS Service-Pak contains everything you need to service a whole series of TV sets—including a complete color-keyed master schematic providing an overall view of the receiver circuit and a Rapid Repair Manual. What do you get for your money? 50 complete Service-Paks (each Pak originally selling for \$1.95) containing data on approximately 1500 TV sets. PLUS a 148-page MASTER-INDEX. Order No. T-444 **only \$19.95**

1101—ELECTRONIC CIRCUIT DESIGN HANDBOOK.

Over 500 tried and tested circuits for control, regulation, protection, filtering and suppression, comparison, amplification, oscillation, alarm, counting and timing, testing and measuring, power supplies, detection and sensing, display and readout, gating and logic, relay and switching, and signal generation. 320 pps., 8 1/2 x 11". **\$14.95**



484—TV SERVICING GUIDEBOOK: Problems & Solutions. A guide to TV receiver troubles, their causes and cures. Step-by-step for isolating defects. 176 pps. **\$3.95**

132—HOW TO TEST ALMOST EVERYTHING ELECTRONIC. Practically every testing technique for almost every kind of electronic equipment laid out for you in easy, highly readable style. 160 pps. **\$2.95**

T131—ELECTRONIC ENGINEERING MEASUREMENTS FILEBOOK. Describes detailed techniques, complete test setups, waveforms, mathematical analyses, etc. 256 pps., heavily illus. **\$4.95**

228—ELECTRONIC DESIGNER'S HANDBOOK. A complete reference on transistor circuit design, to the depth required for practical engineering work. 296 pps. **\$4.95**

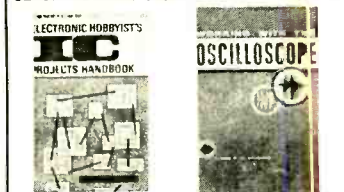
254—ELECTRONIC ENGINEERING NOMOGRAMS.

Over 100 nomograms based on equations commonly used by engineers and technicians. 176 pps., 8 1/2 x 11". **\$3.95**

198—CATV SYSTEM ENGINEERING. Cable TV distribution, amplifier and system dynamic range, cascaded figure of merit, system operating levels, jumper cables, equalization and alignment, and a host of other vital subjects, including how to modernize older systems using the newest equipment available. 256 pps. **\$11.95**

T82—CATV SYSTEM MAINTENANCE. Maintenance of CATV systems, from the antenna through construction techniques, to complete troubleshooting. 192 pps. **\$11.95**

464—ELECTRONIC HOBBYIST'S IC PROJECT HANDBOOK. 50 projects you can build from inexpensive integrated circuit components, plus a section of schematics for 32 of the most popular ICs. **\$3.95**



472—WORKING WITH THE OSCILLOSCOPE. Large size illustrations show exactly how to measure phase shift, check amplifier response, test transistors, check color TV bandpass response and demodulator action, horizontal deflection systems, and major TV circuit outputs. 104 pps., BIG 8 1/2 x 11" size. **\$4.95**

NO RISK COUPON — MAIL TODAY

TAB BOOKS, Blue Ridge Summit, Pa. 17214 **RE-311**
Please send me the books listed below. (Save postage; remit with order)

I enclose \$..... Please invoice on 10-day FREE trial

Name

Address

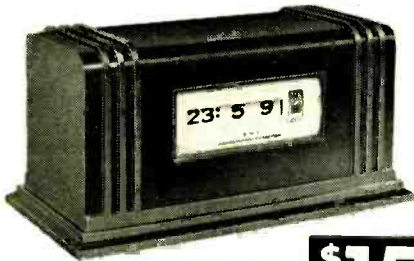
City State Zip

Circle 122 on reader service card

the NEW TYMETER CLOCK

24 HOUR

Takes the Guesswork Out of Time Telling!



#100-24H
POST PAID

\$15

Easy-to-read numerals register every second, minute, 10-minute and hour. Walnut or ebony plastic case. 4" H, 7 3/4" W, 4" D. Self starting electric. 110V 60cy. AC. One Year Guarantee. Made in U.S.A.

At Your Dealer, or DIRECT FROM

PENNWOOD NUMECHRON CO.

7249 FRANKSTOWN AVE., PITTSBURGH, PA. 15208

Please send #100-24H Tymeter Clock at \$15. Post Paid. Enclosed is Check Money Order. No C.O.D.'s.

Name _____

Address _____

City _____ State _____

Zip Code _____ RE369

Circle 123 on reader service card

FOR INFORMATION "too hot to handle"

Learn about the new scientific and patented miracles in speaker systems by



**WIDE SCREEN STEREO
DEEPEST TRUE PITCH BASS
DYNAMICS WITHOUT DISTORTION
UNIFORM WIDE AREA COVERAGE
MICROWATT SENSITIVITY
AND MORE**

FREE LITERATURE

WRITE OR PHONE

KARLSON RESEARCH & MFG.

Box 117, W. Hempstead L.I., N.Y.

Tel. 516-489-3641

Circle 124 on reader service card

NEW TUBES AND

COMPLIMENTARY POWER TRANSISTORS

The 2N5190-2N5195 form a series of npn/pnp complementary 4-amp plastic silicon power transistors with power handling capabilities to 35 watts. Pertinent ratings of the three complementary pairs (nnp units are listed first) are

Type	V _{CEO}	h _{FE} *	f _T (min)
2N5190/ 2N5193	40 V	25/100	4 MHz
2N5191/ 2N5194	60 V	25/100	4 MHz
2N5192/ 2N5195	80 V	20/80	4 MHz

*@I_C = 1.5A

Additional data on these transistors are available from Motorola Semiconductor Products, PO Box 955, Phoenix, Ariz. 85001.

SUBMINIATURE TRIGGER TUBE

The new type ZC1060 subminiature trigger tube is a high-speed switching device that handles peak currents as high as 5000 amperes at 60 joules per discharge. It is developed for high-voltage switching ap-

You've never had it so good.

FREE \$1 BUY WITH EVERY 10 YOU ORDER Only applies to "\$1" Buys **FREE GIFT WITH EVERY ORDER**

MARKET SCOOP COLUMN

- 12" OXFORD SPEAKER, Top Quality... Large Magnet \$4
- 10" PHILCO SPEAKER Top Quality... Large Magnet \$2.69
- 8"-ECONOMY OXFORD SPEAKER Top quality... 2.15 Mag. \$1.69
- UNIVERSAL 5 1/2" PM SPEAKER Alnico 5 magnet, quality tone ... \$1
- UNIVERSAL 4" PM SPEAKER Alnico 5 magnet, quality tone .. 79¢
- 2" x 6" SPEAKER Alnico 5 magnet, quality tone ... \$1
- 25 - 3900-OHM-7w RESISTOR 10% Corning glass \$1
- 20 - .47-600V CONDENSERS White Ceramic C.D.-American ... \$1
- MOTOROLA PWR TRANSFORM 110v, CT 150/150v, 6.3v \$1
- 10 - TRANSFORMERS assorted Audio Outputs, Chokes, I, F, 's, etc. \$1
- 10 - ASST. RADIO & TV TUBES Every Tube a good number \$1
- 50 - ASSORTED TRANSISTORS big factory scoop-sold as-is \$1
- 20-ELECTROLYTIC CONDENSERS Fine asst.-too numerous to mention .. \$1
- 20 - ASST. VOLUME CONTROLS All desirable good types \$1
- 100-ASST 1/4 WATT RESISTORS stand. choice ohmages, some in 5% \$1
- 100-ASST 1/2 WATT RESISTORS stand. choice ohmages, some in 5% \$1
- 70 - ASST 1 WATT RESISTORS stand. choice ohmages, some in 5% \$1
- 35 - ASST 2 WATT RESISTORS stand. choice ohmages, some in 5% \$1
- 50 - PRECISION RESISTORS asst. list-price \$50 less 98% \$1
- 20 - ASSORTED WIREWOUND RESISTORS, 5, 10, 20 watt \$1
- 4 - TOGGLE SWITCHES SPST, SPDT, DPST, DPDT \$1
- 10-ASSORTED SLIDE SWITCHES SPST, SPDT, DPDT, etc. \$1
- 100 - STRIPS ASSORTED SPAGHETTI handy sizes \$1
- METER SENTRY—SOLID STATE Protects meter movements up to 25 amps surge 99¢
- 15 - ASST. ROTARY SWITCHES all popular types \$20 value \$1
- 3 - TOP BRAND 35W4 TUBES \$1
- 7 - TV ELECTROLYTIC CONDENSERS desirable types \$1
- 3 - PRINTED CIRCUIT I.F. TRANS. 455 KC, 4 Lug—Input & Output \$1

- TRANSISTOR RADIO asst type good, bad, broken, as-is, potluck \$1.50
- TAPE RECORDER - assorted types good, bad, broken, as-is, potluck .. \$4
- TV TUNERS asst. all new standard makes, including Tubes \$3
- 32' - TEST PROD WIRE deluxe quality, red or black \$1
- HEARING AID AMPLIFIER incl. 3 Tubes, Mike, etc. (as is) .. \$1
- 50 - #3AG FUSES 1/2 AMP popular type with pigtailed \$1
- 10 - STANDARD TRANSISTORS NPN & PNP 2N404, 2N414, etc. ... \$1
- 10-ASSORTED DIODE CRYSTALS 1N34, 1N48, 1N60, 1N64, etc. \$1
- 6-TRANSISTOR RADIO EARPIECES w/ complete with plug \$1
- 1-SQ. YARD GRILLE CLOTH most popular brown & gold design .. \$2
- \$20-SHURE M-7D DIAMOND NEEDLE exact replacement \$3
- \$15.00 TELEVISION PARTS "JACKPOT" best buy ever \$1
- 10 - SETS PHONO PLUGS & PIN JACKS RCA type \$1
- 10 - SURE-GRIP ALLIGATOR CLIPS 2" plated \$1
- 50 - ASSORTED PRINTED CIRCUIT SOCKETS best types \$1

- AMPLIFIER 110v AC-DC, 5 Watt Wired - Phono, Comb, Intercom, etc. needs 3-12AX7, 2-501B as is \$3
- NYLON PRINTED CIRCUIT TOOL For Lead Bending & Dressing, will not scratch boards \$1
- 50 - ASST. DISC CERAMIC CONDENSERS popular numbers \$1
- 100 - ASST. MICA CONDENSERS some in 5% \$1
- 2 - POWER TRANSISTORS replace 2N155, 2N176, 2N301, etc. \$1
- 2 - HYTRON POWER TRANSISTOR H.V. replaces DS501, 2N173, etc \$1.29
- 10 - SPEAKER PLUG SETS deluxe type, 2 conductor \$1
- 10 SETS - DELUXE PLUGS & JACKS asst. for many purposes .. \$1
- 70-BRASS FARNESTOCK CLIPS popular type & size \$1
- SOLID STATE UHF CONVERTER Receives channels 14-83. Easy connection to your TV set \$16.95
- STANDARD TV TUNER 21mc- with schematic Popular type for many TV's \$5
- SPECIAL TUBE BUY 3CG6, 3DT6, 4CS6, 12AU7, 12BH7, Each 59¢
- WESTINGHOUSE STANDARD TUNER #470V120H01 - (3GK5 - 6CG8 Tubes) \$4
- WESTINGHOUSE STANDARD TUNER #470V071H02 - (6ER5 - 6CG8 Tubes) \$4

IMMEDIATE DELIVERY... Scientific light packing for safe delivery at minimum cost. HANDY WAY TO ORDER: Pencil mark or write amounts wanted in each box, place letter F in box for Free \$1 BUY. Enclose with check or money order, add extra for shipping. Tearsheets will be returned as packing slips in your order, plus lists of new offers. Minimum Order \$3.00

Name
Address
Shipping estimated
TOTAL

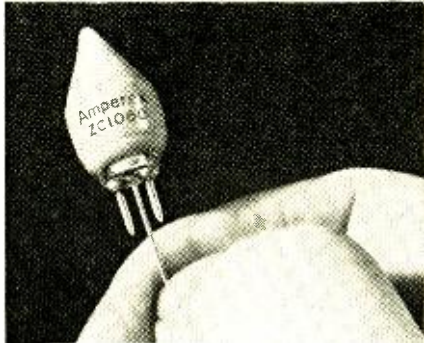
Please specify refund on shipping overpayment desired: CHECK POSTAGE STAMPS MERCHANDISE (our choice) with advantage to customer

BROOKS RADIO & TV CORP., 487 Columbus Ave., New York, N. Y. 10024 212-874 5600 TELEPHONE

SEMICONDUCTORS

plications such as flash-tube and laser-pump capacitor discharge circuits and in electrostatic and corona discharges where short ignition delay is important.

The required trigger waveform for this Amperex tube is a 30- μ sec. 3.5-kV pulse at 400 to 500 kHz. Trig-



ger energy can be as low as 1 millijoule. At normal anode voltages—350 to 800 volts—maximum ignition delay is 2 μ sec. Open-circuit impedance is 300 megohms. When conducting, impedance drops to 30 milliohms.

Further information on this device can be obtained by writing to Amperex Electronic Corp., Professional Tube Div., Hicksville, L.I., N.Y. 11802. R-E

NEW FROM INJECTORALL



HERE'S PROOF!

PROOF that "SUPER 100" tuner cleaner is BETTER!

Tested by a leading independent laboratory against competitive products!

	SUPER 100	A	B	C
CLEANING	Excellent	Good	Fair	Fair
LUBRICATION	Good	Fair	Fair	Poor
PLASTIC ATTACK	None	None	None	None
FLAMMABILITY	None	None	None	None
CONDUCTIVITY	None	None	Slight	Slight
ANTI-STATIC PROTECTION	Excellent	Fair	Poor	Poor
DRIFT	None	Slight	Yes	Yes

SUPER 100 TUNER CLEANER . . . for COLOR and Black and White TV tuners 6 oz. spray can with INJECTORALL steel needle CAT. NO. 100-6 net \$1.95 Buy it at your Electronic Dealer. For free catalog on the complete line, write to:

INJECTORALL ELECTRONICS CORP.
Great Neck, New York 11024

Circle 125 on reader service card



FREE Electronics Data Guide

Want help in working out those tricky electronics calculations? Send for our FREE Electronics Data Guide. This heavy-duty plastic guide fits right in your shirt pocket — gives you instant reference to over 40 indispensable electronics formulas, plus conversion factors, color codes and decibel table as well. Saves you time and the trouble of memorizing or "looking up." A "must" for every man interested in electronics—provided as a service by CIE. Why not get your FREE Data Guide today? Just fill in your name and address below, then cut out this ad and mail it to:

Cleveland Institute of Electronics
1776 E. 17th St., Cleveland, Ohio 44114

Name _____ (Please Print)
Address _____
City _____
State _____ Zip _____
Accredited Member National Home Study Council 914

Circle 126 on reader service card

SHANNON MYLAR RECORDING TAPE

2 1/2" — 225' .. \$.15	7" — 2400' .. \$1.59
3" — 225' .. .17	7" — 3600' .. 2.78
3" — 300' .. .24	CASSETTE 60 minutes .89
3 1/4" — 600' .. .49	CASSETTE 90 minutes 1.54
5" — 600' .. .52	CASSETTE 120 minutes 1.97
5" — 900' .. .67	
5" — 1200' .. .86	2 1/2" TAPE REEL04
5" — 1800' .. 1.29	3" TAPE REEL05
7" — 1200' .. .69	3 1/4" TAPE REEL06
7" — 1800' .. .99	5" TAPE REEL12
	7" TAPE REEL14

CANADIANS: Ordering is easy — we do the paperwork — try a small order

Integrated Circuits At Prices You Can Afford

Motorola HepKit Includes **ALL FIVE JUST \$3.95**

- One J-K Flip Flop
- One Dual Buffer
- One 4-Input Gate
- Two Dual 2-Input Gates

ALSO Tips On Using I.C.s. Including an Integrated Circuit Cross Reference Guide & 8 I.C. Project Circuits

IBM COMPUTER SECTIONS

8 assorted units we sell for \$1 are loaded with over 150 valuable parts.

Incl. — Transistors, Condensers, Resistors, Heat Sinks, Diodes, Etc.

8 for \$1
100 for \$10

- RECORDING TAPE SPLICER \$1.49 handy, accurate, compact
- 20 — ASSORTED TV COILS I.F. video, sound, ratio, etc. . . . \$1
- 100' — TV TWIN LEAD-IN WIRE \$2 300 ohm, deluxe heavy duty, clear
- RCA 110° FLYBACK TRANSFORMER**
We scooped the Market Latest type — standard for all 110° TV's
RCA's design of large Coil produces 18KV — assuring adequate width Incl. Schematic Diagram application for any TV List price \$13.90
Your price . . . \$3 10% off in lots of 3
- 110° TV DEFLECTION YOKE for all types TV's incl schematic . . \$3
- "COMBINATION SPECIAL" RCA 110° FLYBACK plus 110° DEFLECTION YOKE \$5
- 90° FLYBACK TRANSFORMER for all type TV's incl schematic . . \$2
- 90° TV DEFLECTION YOKE for all type TV's incl schematic . . \$2
- 70° FLYBACK TRANSFORMER for all type TV's incl schematic . . \$2
- 70° TV DEFLECTION YOKE for all type TV's incl schematic . . \$2

- BONANZA "JACKPOT" not gold, not oil, but a wealth of Electronic Items—Money-back-guarantee . . \$5
- 300 — ASSORTED HEX NUTS 2/56, 4/40, 5/40, 6/32, 8/32 . . \$1
- 250 — ASST. SOLDERING LUGS best types and sizes \$1
- 250 — ASST. WOOD SCREWS finest popular selection \$1
- 250 — ASST. SELF TAPPING SCREWS #6, #8, etc. \$1
- 150 — ASST. 6/32 CREWS and 150 6/32 HEX NUTS \$1
- 150 — ASST. 8/32 SCREWS and 150—8/32 HEX NUTS \$1
- 150 — ASST. 2/56 SCREWS and 150—2/56 HEX NUTS \$1
- 150 — ASST. 4/40 SCREWS and 150—4/40 HEX NUTS \$1
- 150 — ASST. 5/40 SCREWS and 150—5/40 HEX NUTS \$1
- 500 — ASSORTED RIVETS most useful selected sizes \$1
- 500 — ASSORTED WASHERS most useful selected sizes \$1
- 100 — ASST. RUBBER BUMPERS for cabinet bottoms & other uses . \$1
- 100—ASSORTED RUBBER GROM-METS best sizes \$1
- ALL AMERICAN TUBE KIT 12BA6, 12BE6, 12AV6, 50C5, 35W4—total list \$9.70 \$2
- 2 — TV CIRCUIT BREAKER \$1.19 Rated 4.2 TO 5.0 AMPS, etc. . . .
- 70° COLOR YOKES For all round color CRT's . . . \$12.95
- 90° COLOR YOKES For all Rectangular 19 to 25" Color CRT's . . . \$12.95
- 2—G.E. PIECES OF EQUIPMENT \$1 stacked with over 200 useful parts
- 50 — ASSORTED MYLAR CONDENSERS popular selected types . . . \$1
- 3 — TOP BRAND SILICON RECTIFIERS 1 amp, 1000 PIV \$1
- 20 — ASST. PILOT LIGHTS #44, 46, 47, 51, etc. \$1
- 50 —ASSORTED #3AG FUSES popular ampere ratings \$1
- 4 — 50' HANKS HOOK-UP WIRE assorted colors \$1
- 100' — SPOOL SPEAKER WIRE 2 cond, mini zip, clear, 101 uses \$1
- 5 — I.F. COIL TRANSFORMERS 456-ke for Transistor Radios . . \$1
- 5 — AUDIO OUTPUT TRANSFORM 540-mhm for Trans Radios \$1
- 5 — PNP TRANSISTORS general purpose, TO-5 case . . . \$1
- 5 — NPN TRANSISTORS general purpose, TO-5 case . . . \$1

- UNIVERSAL MICROPHONE \$2 regular/remote/single & dual plug
- CRYSTAL LAPEL MICROPHONE \$9.95 high impedance, 200-6000 cps . . .
- 25 — KNURLED RADIO KNOBS \$1 Hard to get — best selection . . .
- CHAPT ZU DI MITZIA "JACK POT" Double your money back if not completely satisfied \$1
- STEREO HEADPHONES Hi-Fi Quality . . . Complete \$5.95 with Stereo plug
- 50 — TUBE CARTONS (color) \$1 assorted sizes for Popular Tubes . .
- 4 — TV ALIGNMENT TOOLS \$1 most useful assortment
- 40 — ASSORTED TV KNOBS \$1 all standard types, \$20 value . . .
- 25 — VERT. LINEARITY KNOBS \$1 Long shank . . . best asst.
- 50 — ASST. TERMINAL STRIPS \$1 all types, 1-lug to 6-lug
- 25 — INSTRUMENT POINTER KNOBS selected popular types . . . \$1
- 1 — LB SPOOL ROSIN-CORE \$1 SOLDER 40/60 top quality
- TWEezer: — Stainless steel — \$1 Made in Switzerland—For fine work
- 3—ELECTROLYTIC CONDENSERS \$1 most popular number 50/30—150V
- UNIVERSAL TV ANTENNA Buck of set mounting \$1.98 5 section rods
- 3 WAY UHF—VHF—FM SPLITTER Two Sets of terminals \$1.98 make hookup a cinch

Circle 127 on reader service card

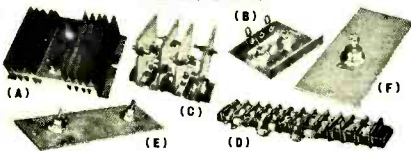
U.S. GOV'T ELECTRONIC SURPLUS

• Nationally Known-World Famous SURPLUS CENTER offers finest, most expensive, Government Surplus electronic units and components at a fraction of their original acquisition cost.

ORDER DIRECT FROM AD OR WRITE FOR CATALOGS

(IBM) SILICON DIODE RECTIFIERS

• "Great Buss" in top quality, surplus, silicon diode rectifier units. (IBM Computer Units)

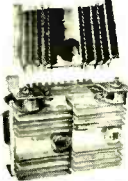


- (#REC-4) -- Two 12-amp., 50-V. silicon diodes on finest aluminum sinks. (1 lb.) (A) **\$2.69**
- (#22-925) -- Twin P-amp., 150-V. silicon diodes on finest aluminum sinks. (1 lb.) (B) **\$1.31**
- (#11-949) -- Eight 12-amp., 100-V. silicon diodes on heavy copper heat sinks. (1 lb.) (C) **\$3.97**
- (#11-900) -- Six 1-amp., 100-V. silicon diodes on Kulkia str. Very versatile. (1 lb.) (D) **\$1.71**
- (#22-926) -- Two 25-amp., 50-V. silicon diodes on heavy copper heat sinks. (1 lb.) (E) **\$2.69**
- (#22-914) -- One 25-amp., 50-V. silicon diodes on heavy copper heat sink. (1 lb.) (F) **\$1.81**

COMPUTER TRANSISTORS ON HEAT SINKS

IBM Computer Quality Units

• (#22-928) -- Unit consists of one 150-watt power transistor on heavy ribbed, aluminum heat sink. Many experimental uses. (1 lb.)
Cost Gov't Over \$10.00 **\$1.99**



• (#22-915) -- Unit consists of two 150-watt power transistors, 3 pots., several diodes, capacitors, resistors, etc. on heavy, ribbed aluminum heat sinks. Ideal for use as motor speed control. (4 lbs.)
Cost Gov't Over \$35.00 **\$4.91**

COMPUTER GRADE FILTER CAPACITORS

• Latest design, high MF units. Eliminate need for expensive chokes. 2-1/16" diam. x 4-1/2", (1-1/2 lbs.)
Orig. List over \$2.75

- (#C-14-1) -- 15,500-MF @ 10-Volts **.99**
- (#C-14-2) -- 1500-MF @ 150-Volts **.98**
- (#C-14-3) -- 5000-MF @ 55-Volts **.97**
- (#C-14-7) -- 12,500-MF @ 10-Volts **\$1.19**
- (#C-14-12) -- 750-MF @ 25-Volts **.98**



RUNNING TIME METER

• (#RX-104) -- Use to record number of operating hours of electric lights and electrical devices, such as refrigerators, furnaces, etc. Records total hours, tenths and hundredths up to 9,999.99 hours. For 115-volt, 60-cycles. Size 4 1/2" x 5 1/2". Shipping weight 2 lbs.



\$5.69 Cost Over \$29.00

12 and 24-VOLT TRANSFORMER

• (#15-920) -- General Electric 115-volt, 60-cycle to 12 and 24-volts @ 250-watts. Capacity 42-amps. @ 24-volts, 64-amps. at 12-volts. Useful for battery chargers, running DC motors, etc. 7" x 5" x 5". (18 lbs.)
Cost Gov't Over \$35.00 **\$16.72**



EXPANDED SCALE 0 - 15 DCVM

• (#21-900) -- Brand new, expensive voltmeter reads 0.5 to 16-volts DC and 5 to 8-volts. Very useful for automotive and aircraft battery charge indicator, etc. 10° vertical movement, black plastic case. 7" x 5" x 2 1/2". (3 lbs.)
List \$32.50 **\$12.95**



SILICON DIODES

\$5.90

• (#REC-3) -- New, perfect, Westinghouse #770-A, 275-amp., 50-volt, #18-044. Fine for hi-current rectifier. (1 lb.) List Over \$15.00

DIGITAL READ-OUT UNIT

\$3.97

• (#EE-17) -- Sophisticated electronic unit contains 5-digit "read-out", electric motor, gear train, relays, etc. 5" x 8" x 7". (10 lbs.)



TYPICAL BUYS FROM OUR 1969 CATALOGS

• Our new 1969 catalogs (Vol. #1 and #2) contain hundreds of tremendous buys in electronic equipment. Power plants, welding generators, battery winches, hoists, electric roll carts, hydraulic gear, walk-in-lathes, tape recorders, oscilloscopes, surveying instruments, all types 12-volt power motors, blowers, relays, etc.

- \$100.00 Automatic Telephone Step Switches **\$9.95**
- \$215.00 Geared Battery Motors For Electric Cars **\$26.95**
- \$ 30.00 Standard Dial Handset Telephones **\$7.50**
- \$ 4.50 Power Transformer 115V to 25V **\$1.21**
- \$ 37.50 150-Watt Transformers 115V, to 24V **\$19.81**
- \$650.00 Power Plant 5000-Watts, 115-Volts **\$135.00**
- \$ 30.00 115-Volt AC Watt-hour Meters **\$5.95**
- \$ 42.50 115-Volt, 35-Amp. Clock Timer Switch **\$8.91**
- 15-Vol. Discontinued Correspondence Course In Electrical Engineering **\$8.79**



SEND 25c COIN OR STAMPS FOR CATALOGS
All Items FOB Money Back Guarantee

SURPLUS CENTER

DEPT. RE 039 LINCOLN, NEBR. 68501

NOTEWORTHY CIRCUIT

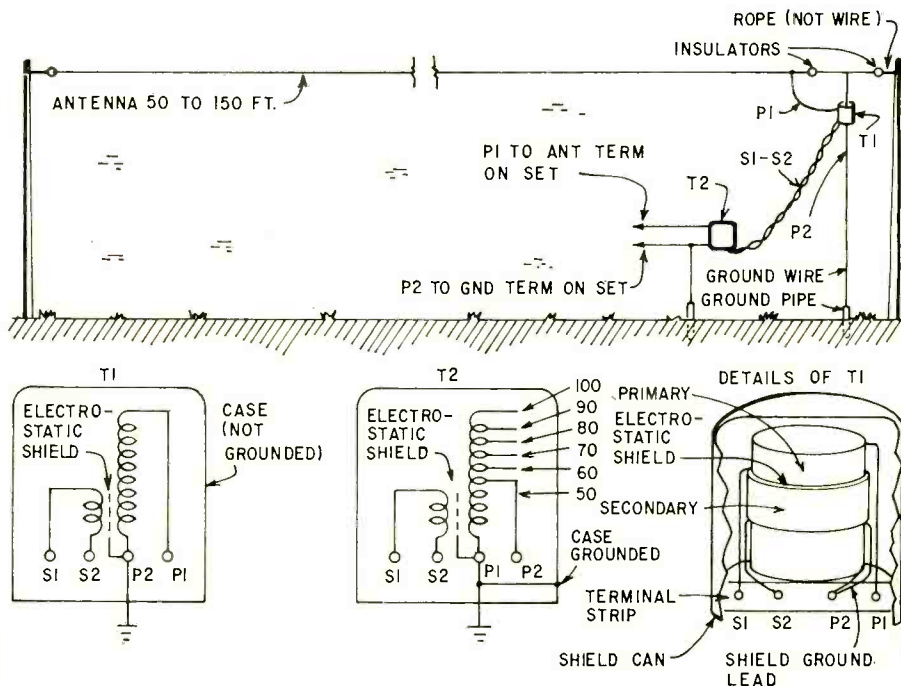
LOW-NOISE BROADCAST ANTENNA

A good outdoor antenna is essential to satisfactory AM broadcasting-band DX'ing. For most purposes, it may be a single-wire flat-top, as long and as high as practical. Man-made electrical interference is one of the major obstacles faced by the serious DX'er. Most of this comes from high-tension power lines, automobiles and industrial, commercial and domestic appliances. It is strongest close to the source and tapers off rapidly until it may not be objec-

around the center of the coil. Connect the shield to P2 and add another layer of tape. The secondary is 25 turns wrapped around the center of the shield. The starting end is S1, the other is S2.

Wind T2 with the 25-turn primary next to the form. Add the tape, electrostatic shield and then wind the 100-turn secondary. Tap the secondary at every tenth turn from the fiftieth on.

Transformer T1 should be waterproofed or saturated with coil dope and then mounted in a shield can at least



tionable a few hundred feet away.

For noise-free reception, the first step is to get the antenna as far as possible from noise sources. The second is to replace the most-often-used single-wire lead-in with a low-impedance balanced transmission line matched to the antenna and receiver by transformers. A low-noise broadcast antenna like this is shown in the diagrams, taken from *Electronics Australia*.

The lead-in is plastic-covered twisted-pair coupled to the antenna by T1 and to the receiver by T2. Both transformers are wound with No. 26 enameled wire on 2" diameter forms. For T1, wind the primary with 100 turns and mark the starting end P1 and the terminating end P2. Wrap with a single layer of insulating tape. Add an electrostatic shield made from thin brass 1" wide and just long enough to leave a 1/8" gap when wrapped

twice the coil diameter. Mount it on the mast close to the antenna. Connect the end of the antenna to P1 and run a wire to ground from P2. Do not ground the shield can.

Mount T2 close to the receiver and connect P2 and P1 to the ANTENNA and GROUND terminals, respectively. Connect S1 and S2 to the lead-in. Tune in a weak station and try all the P1 taps to find the one giving the greatest deflection on a tuning indicator or a vtvm connected to the avc line. **R-E**

COMING NEXT MONTH

Learn how to design your own hi-fi stereo preamp around a differential amplifier IC in the April RADIO-ELECTRONICS. Engineer John Teeling puts the math into easily understood formulas, showing you how to design for playback equalization, bass and treble rolloff, and build a power supply.

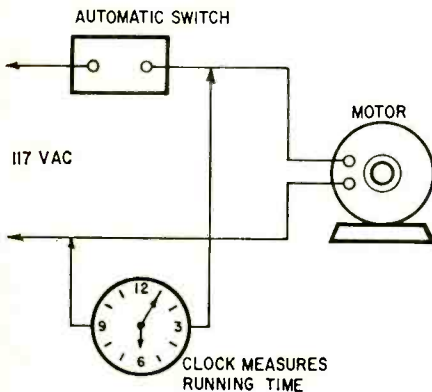
TRY THIS ONE

RECLAIMING PHILLIPS SCREWDRIVERS

When Phillips screwdrivers wear to near-uselessness, extend their life by grinding away the flutes on two opposite sides, making a pointed single blade that still can be used efficiently for Phillips-head screws and bolts.—*Harry J. Miller*

CLOCK MEASURES RUNNING TIME

Anytime you have a need to measure the short-term running time of any device, such as an electric motor, which operates from the power line and goes on and off automatically, connect an ordinary self-starting electric clock across it. With this connection, when the motor starts, the clock will start and run; when the motor stops, the clock stops. If the clock is set at 12:00 initially, the po-



sition of the hands will thereafter indicate the running time directly in hours and minutes, up to 12 hours total (and then repeat). The clock in the illustration, for example, shows the total running time of the water pump to be 6 hours and 5 minutes. Make sure the voltage requirements of the clock and the motor are the same.—*Frank H. Tooker*

TEST SILICON DIODES FOR PIV

If you own or can borrow an Eico model 950 resistance-capaci-

tance comparator bridge you can use it to determine the reverse breakdown voltage (up to 500 volts) of most silicon diodes.

Set the RANGE switch to PAPER-MICA TEST and the VOLTAGE control to zero. The remaining controls are not used.

Connect the diode's anode to the negative terminal, cathode to the positive terminal of the bridge. Starting from zero, increase the voltage until the eye of the electron-ray indica-

tor tube closes. This is the approximate reverse breakdown voltage of the diode.

There is no danger of damaging diodes because the maximum current that can flow with the output short-circuited and the VOLTAGE control set to 500 is 600 μ A. The eye closes completely when the diode circuit current is only 15 μ A. Adding a 1-megohm resistor in series with the diode will limit short-circuit current to 160 μ A.—*Charles D. Rakes*

R-E

SCHOOL DIRECTORY

distinguished graduates

hold important engineering and business administration posts throughout U.S. Professionally-oriented college with outstanding placement record. Four-quarter year permits degree in three years. Fine faculty. Modern labs. Small classes. 300-acre campus. Accredited. Approved for vets. Moderate costs. Enter June, Sept., Jan., March. For Catalog, write Adm. Director.



TRI-STATE COLLEGE
2439 College Avenue, Angola, Indiana 46703

GET INTO ELECTRONICS

V.T.I. training leads to success as technicians, field engineers, specialists in communications, guided missiles, computers, radar and automation. Basic & advanced courses in theory & laboratory. Electronic Engineering Technology & Electronic Technology curricula both available. Associate degree in 29 mos. B.S. also obtainable. G.I. approved. Graduates in all branches of electronics with major companies. Start Feb., Sept. Dorms, campus. High school graduate or equivalent. Catalog.

VALPARAISO TECHNICAL INSTITUTE
Dept. C, Valparaiso, Indiana 46385



Learn Electronics for your SPACE-AGE EDUCATION at the center of America's aerospace industry

No matter what your aerospace goal, you can get your training at No. 100 Tech. in sunny Southern California.

COLLEGE OF ENGINEERING. Get your B.S. degree in engineering in just 36 months by attending classes year round. Most Northrop Tech graduates have a job waiting for them the day they're graduated!

A & P SCHOOL. Practical experience on real aircraft. One-year course prepares you for F.A.A. A&P certificate. WRITE TODAY FOR CATALOG.

NORTHROP INSTITUTE OF TECHNOLOGY
1199 W. Arbor Vitae, Inglewood, Calif.

TELEVISION RADIO COLOR TV

MAIL COUPON FOR FREE BOOK

Coyne Electronics Institute Dept. 39-CS
1501 W. Congress Pkwy., Chicago, Ill. 60607

Send information as checked below

- HOME TRAINING in TV • Radio • Color TV • Electronics
 RESIDENT SCHOOL COURSES in Electronics, Electricity, Engineering, Radio-TV, Color TV, Refrigeration, and FCC

Name.....
Address.....
City..... State..... Zip.....
Phone..... Age.....

VA Approved—GI Bill

The First Really New INDOOR ANTENNAS!

Now, at last, your customers have a reason to get rid of their tired old droopy rabbit ears. The Gavin series of monitor antennas not only look better, they work better too.

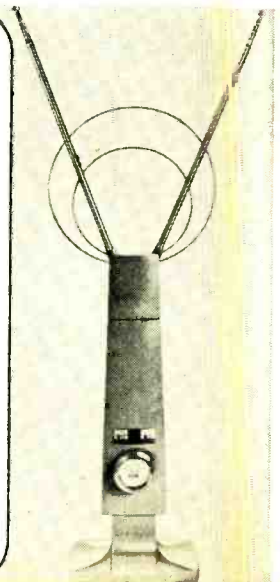
Check these quality features:

- TOWER DESIGN GETS UP WHERE THE SIGNAL IS FOR EXTRA POWER.
- GUARANTEED TO GIVE YOUR CUSTOMERS BETTER RECEPTION OR MONEY REFUNDED.
- ROTATING SCANNER—You can aim for best pictures without turning base. No danger of scratching furniture.
- HIGH IMPACT PLASTIC CASE WITH DEEP FELT PAD.
- UHF/VHF FUNCTION SWITCH AND PHASING SWITCH.

For more details, contact your GAVIN representative today, or call:



GAVIN INSTRUMENTS, INC.
Subsidiary of ADVANCE ROSS CORP.
Somerville, New Jersey 08876, U.S.A.
Telephone: (201) 356-3500



NEW! SOLID STATE KITS

FOR ANY
TAPE RECORDER



Automatic Recording-Level Control

Low-noise distortionless compressor — preamp easily installs in mike line. Easy-to-build kit with complete instructions.

MODEL ACP-1 KIT . . . \$18.50

Voice / Sound Actuated Controller

Voice operate any tape recorder, ham and CB transmitter. Ideal for intrusion alarms. Built-in relay switches up to 1 amp. Easy-to-build kit with complete instructions.

MODEL VOX-1 KIT . . . \$18.50

Other Kits

**Audio Amplifiers ■ Power Supplies
Test Equipment ■ Treasure Locators
and many others**

FREE Data sheets with circuit description, diagram and specifications for all kits.



CARINGELLA ELECTRONICS, Inc.
P.O. Box 327 ■ Upland, California 91786
Phone 714-985-1540

Circle 130 on reader service card

SOLVE YOUR TV REPAIR PROBLEMS WITH TV TECH AID

A monthly TV publication of actual repairs, and troubles encountered in **OUR** business. The information will be gathered from technicians, field reps, and all the leading manufacturers.

TV TECH AID will be published in loose leaf sheets for simplified filing and easy reference. Each manufacturer will have its own page.

Each symptom will have a clearly marked schematic of the particular faulty stage. The faulty components, and corrections will be listed to aid in repair. No guess work.

It will contain current models, older models, circuit changes and modifications on various models as they occur.

The days of "Trial and Substitution" are over.

TIME LOST cannot be regained, and that is where the **PROFITS** are made.

ONE repair is worth more than four times the investment.

Each monthly issue will contain a series of timely sheets and the cost to you is only \$6.95 for a full years subscription.

TV TECH AID
P.O. BOX 603
KINGS PARK, L. I.
NEW YORK 11754

ENCLOSED IS A CHECK OR M.O. FOR \$6.95 PLEASE SEND 12 ISSUE OF TV TECH AID TO:

NAME _____
ADDRESS _____
CITY _____
STATE _____ ZIP _____

Circle 131 on reader service card

NEW BOOKS

TRANSISTOR TV TRAINING COURSE, by Robert G. Middleton. *Howard W. Sams & Co., Inc.*, 4300 W. 62 St., Indianapolis, Ind. 46206. 8½ x 11 in., 128 pages, soft cover, \$3.95.

Fully illustrated with schematics, figures, graphs and scope waveforms, this addition to the author's growing list of publications in the service field offers a concise, 12-chapter discussion of TV circuits.

An introductory chapter analyzes transistors in TV circuit configurations and subsequent chapters cover each stage of TV receivers. One chapter briefly describes color circuits.

TRANSISTOR AUDIO AMPLIFIERS by D. V. Jones & R. F. Shea. *John Wiley & Sons Inc.*, 605 Third Ave., New York, N.Y. 10016. 9¼" x 6", 267 pages, hard cover, \$9.95.

This book covers the vast increase in the types of transistors and their applications. It can be used as a major tool in understanding the operation of transistors. Techniques include circuits for using FET's, obtaining transformerless operation and obtaining high impedance by feedback and bootstrap techniques.

FET PRINCIPLES, EXPERIMENTS, AND PROJECTS, by Edward M. Noll. *Howard W. Sams & Co., Inc.*, 4300 W. 62 St., Indianapolis, Ind. 46206. 5½ x 8½ in., soft cover, \$4.95.

Final three chapters of this nine-chapter book describe audio and timer projects, detector and tuner projects and radio-amateur projects. Earlier chapters cover FET (field-effect transistor) operating principles, and circuit design for good FET operation. A separate chapter is devoted to mathematics frequently used in FET design.

BENCH SERVICING MADE EASY, by Robert G. Middleton. *Howard W. Sams & Co., Inc.*, 4300 W. 62 St., Indianapolis, Ind. 46206. 5½ x 8½ in., 176 pages, \$3.95.

A bench servicing approach stressing careful preliminary analysis of symptoms and application of the correct troubleshooting approach. First chapter describes how to analyze symptoms accurately, the following nine chapters cover servicing techniques for each TV section and the last chapter tells how to tackle intermittent troubles.

FUNDAMENTALS OF INTEGRATED CIRCUITS by Lothar Stern. *Hayden Book Company Inc.*, 116 W. 14 St., New York, N.Y. 10011. 7" x 10", 176 pages, hard cover, \$8.95.

A basic guide to the complex technology of integrated circuits. Mathematics is kept to a minimum and charts, graphs and tables are used to illustrate key points. Separate sections cover semiconductor principles, semiconductor IC's and related components, compatible circuits, and packaging. **R-E**

ADVERTISING INDEX

RADIO-ELECTRONICS does not assume responsibility for any errors which may appear in the index below.

Accurate Instrument Company, Inc.	69
Aerovox Corporation	90
Allied Radio Corporation	82
Arrow Fastener Company, Inc.	14
Artronix	72
B & K (Division of Dynascan Corporation)	71
Brooks Radio and TV Corporation	92-93
Burstein-Applebee Company	77
Castle TV Tuner Service, Inc.	7
Caringella Electronics, Inc.	96
Chemtronics	60
Clarostat Manufacturing Company, Inc.	76
Cleveland Institute of Electronics	82, 93, 46-49
Coletronics	84
CREL, Home Study Division of McGraw-Hill Book Co.	18-21
Delta Products, Inc.	16, 74, 83
Electronics and Control Engineers' Book Club	13
Electro-Voice, Inc.	14
Electronic Chemical Corporation	72
EICO Electronic Instrument Company, Inc.	Cover II
EMC Electronic Measurement Corporation	77
Finney Company	Cover III
Gavin Instruments, Inc. (Subsidiary of Advance Ross Corporation)	95
GC Electronics Company	70
Grantham School of Electronics	1
Heald Engineering College	61
Heath Company	88-89
Hickok Electrical Instrument Company	87
Injectoral Electronics Corporation	93
International Crystal Manufacturing Company	100
International Textbook Company	5
Jensen Manufacturing (Division of The Muter Company)	68
JFD Electronics Corporation	15
E. F. Johnson Company	75
Judson Research and Mfg. Company	86
Karlson Research and Manufacturing	92
Leader Test Instruments	16
Loral Distributor Products (Division of Loral Corporation)	27
Mercury Electronics Corporation	81
Mosley Electronics, Inc.	4
Music Associated	84
National Radio Institute	8-11
National Technical Schools	28-31
Oaktron	84
Olson Electronics, Inc.	86
Pennwood Numechron Company	92
Quietrole Company	82
Raytheon	85
RCA Institutes	64-67
RCA Electronic Components	Cover IV
RCA Test Equipment	73
Rye Industries, Inc.	72
Schober Organ	58
Scott, Inc., H. H.	86
SECO Electronics	74
Secore	22
Surplus Center	94
Sylvania (Subsidiary of General Telephone & Electronics)	17
TAB Books	91
TV Tech Aids	96
Weller Electric Company	12
Winegard Company	90
Yeats Appliance Dolly Sales	4
MARKET CENTER	97-99
Areturus Electronics Corporation	
Edmund Scientific Company	
Fair Radio Sales	
G & G Radio Supply Company	
Kenzac Company	
Poly Paks	
Solid State Sales	
Terado Corporation	
United Radio Company	
SCHOOL DIRECTORY	95
Coyne Electronics Institute	
Northrop Institute of Technology	
Tri-State College	
Valparaiso Technical Institute	

"ARCTURUS" SALE

- 1700 transistor types at 39¢ each.
 - 40 watt germanium power transistor, same as Delco 501, 2N278 (etc.), Cat. #349, 59¢ each.
 - Color TV cartridge focus rectifier 6.5 kv. Used in every color TV. Cat. #CFR-20, 79¢ each.
 - Motorola 2500 ma. at 1000 piv. high voltage/current epoxy silicon rectifier, axial leads. Cat. #HEP-170, 49¢ each.
 - 2 Printed circuit I.F. transformers. 4 lug, 455 kc input and output, cat. #1909P4, 99¢ each.
 - RCA UHF transistor type TV tuners, KRK-120 (long-shaft) cat. #UHF-20; KRK-120 (short-shaft), cat. #UHF-21, each \$4.98.
 - RCA VHF transistor type TV tuners, KRK-146, cat. #VHF-74, \$9.99 each.
 - Transistorized U.H.F. tuners used in 1965 to 1967 TV sets made by Admiral, RCA, Motorola, etc. Removable gearing may vary from one make to another. Need only 12 volts d.c. to function. No filament voltage needed. Easy replacement units. Cat. #UHF-567, \$4.95.
 - U.H.F. Tuner-original units as used in TV sets such as RCA, Admiral, etc. covering channels 14 through 82, as part #94D173-2. Complete with tube. Drive gearing is removable. Can be used in most sets. Cat. #UHF-3, \$4.95.
 - Color yokes, 70° for all round color CRT's. Cat. #XRC-70, \$12.95. 90° for all rectangular 19 to 25" color CRT's. Cat. #XRC-90, \$12.95.
 - Kit of 30 tested germanium diodes. Cat. #100.99¢.
 - Silicon rectifier, octal based replacement for 5U4, 5Y3, 5AS4, 5AW4, 5T4, 5V4, 5Z4. With diagram. Cat. #Rect-1, 99¢ each.
 - 7", 90° TV bench test picture tube with adapter. No ion trap needed. Cat. #7BP7, \$7.99.
 - Tube cartons 6AU6 etc. size, \$2.15 per 100. 6SN7 etc. size, \$2.55 per 100. 5U4G size, \$2.95 per 100. 5U4G size, 3¢ each.
- Send for complete free catalog. Include 4% of dollar value of order for postage. \$5 MINIMUM ORDER. Canadian check, 8% dollar differential.

ARCTURUS ELECTRONICS CORP.

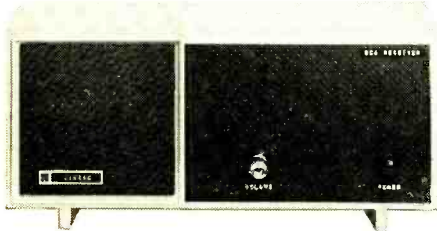
502-22nd St., Union City, N.J. 07087
Dept. MRE
Phone: 201-864-5568

Circle 135 on reader service card

MR. SCA OPERATOR

NEED A RELIABLE SOURCE FOR HIGH QUALITY, LOW COST SCA RECEIVERS, OR SCA DEMODULATOR UNITS?

A new and proven sub-carrier demodulation scheme using old established principles is now practical due to recent component developments and mass production. The resultant reduction in cost is passed on to you.



MODEL SCA-6137 SINGLE FREQUENCY FM RECEIVER. Size: 12" x 5½" x 4½". Available from Stock. Price: \$69.95 (Quantity 1-9)

SCA-6137 FM Receiver Features:

- Range: 88 to 108 MHz • All Solid State Devices • RF Stage • 3 IF Stages • Automatic Frequency Control • Two 67 KHz Amplifier Stages • 67 KHz Ratio Detector • Adjustable Muting • Main/Sub-Carrier Switch • One Watt Audio Output • 4" Monitor Speaker • Provision for External Speaker • 117 Volt AC Operated.

Also available: SCA-3 sub-carrier demodulator PC Card with muting control. Size: 2½" x 3" x 5/8". Operates on 6 to 12 Volts DC at 6 ma. Available from stock. Price: \$39.95 (Quantity 1-9)

Quantity discounts and detailed specifications are available to SCA operators.

Send orders and inquiries to:

JanZac Company; P.O. Box 177;
Stamford Conn. 06904
KenZac Company; P.O. Box 66251;
Houston, Texas 77006

MARKET CENTER

GENERAL

MAGNETS. All types. Specials-20 disc magnets, or 2 stick magnets, or 10 small bar magnets, or 8 assorted magnets, \$1.00. **MARYLAND MAGNET COMPANY**, 5412-G Gist, Baltimore, Maryland 21215.

TREASURE HUNTERS! PROSPECTORS! Relco's new instruments detect buried gold, silver, coins. Kits, assembled models. Transistorized. Weighs 3 pounds. \$19.95 up. Free catalog. **RELCO-A25**, Box 10839, Houston, Texas 77018

OPPORTUNITY AND ADVENTURE in Australia. Information \$2.00. Box 911 A, Union City, California 94587

JAPANESE NEW PRODUCTS MONTHLY! \$1.00. Refundable. **DEERE**, 10639 Riverside, North Hollywood, Calif.

FOR SALE: 5 tube testers. Scarcely used. William S. Duchac, 6785 York Road, Parma Hts., Ohio 44130

AUDIO - HI-FI

WRITE for highest discounts on components, recorders, tapes, from franchised distributors. Send for **FREE** monthly specials. **JARSTON**, RFD #3, Route 7, Brookfield, Conn. 06804

RENT 4-track open reel tapes—all major labels—3,000 different—free brochure. **STEREO-PARTI**, 55 St. James Drive, Santa Rosa, Ca. 95401

HI-FI COMPONENTS, Tape Recorders, at guaranteed "WE will not be undersold" prices. 15-day moneyback guarantee. Two-year warranty. **NO** Catalog. Quotations Free. **HI-FIDELITY CENTER**, 239R East 149th St., N.Y., N.Y. 10451

Tapemates makes available to you ALL 4-TRACK STEREO TAPES. All labels—postpaid to your door—at tremendous savings. For free brochure write: **TAPEMATES CLUB**, 5280 RE West Pico Blvd., Los Angeles, Calif. 90019.

ELECTRONICS

SERVICEMEN • EXPERIMENTERS!

IF YOU WISH TO PURCHASE
BRAND NEW TUBES

RECEIVING—SPECIAL PURPOSE BC TUBES AT OUTSTANDING MONEY SAVING VALUES.

WE CARRY THE LARGEST STOCK OF OBSOLETE AND THE LATEST TYPES OF EUROPEAN AND OTHER IMPORTED TUBES.

WE HAVE THE MOST UP TO DATE TUBES LISTED PLUS THE HARD TO GET TYPES. DON'T CONFUSE OUR TUBES WHICH ARE NEW WITH THE PULLOUTS AND REJECTS. SEND FOR OUR CATALOG.

UNITED RADIO COMPANY

ESTAB. 1920

56 FERRY ST., NEWARK, N.J. 07105

SOLAR FLYING SAUCERS. (Brand New—Solid State Engine—Fantastic Performance—flies for miles on sun's power—lifts animals—sends messages—parachutes—build easily for next to nothing with everyday materials—many sizes—many designs) Complete plans, descriptions, drawings. \$1.00. **SPACETRONICS**, Box 31043-RE, San Francisco, Calif. 94131

RECEIVING & INDUSTRIAL TUBES, TRANSISTORS. All Brands—Biggest Discounts. Technicians, Hobbyists, Experimenters—Request **FREE** Giant Catalog and **SAVE!** **ZALYTRON**, 469 Jericho Turnpike, Mineola, N.Y. 11501.

RADIO & TV TUBES 33¢ each. One year guaranteed. Plus many unusual electronic bargains. Free catalog. **CORNELL** 4217-E University, San Diego, California 92105

FREE Catalog of The WORLD'S FINEST GOV'T SURPLUS ELECTRONIC BARGAINS

Now **BIGGER** and **BETTER** Than Ever!

MAIL THIS COUPON NOW!

NAME: _____

ADDRESS: _____

CITY: _____ STATE: _____ ZIP NO.: _____

FAIR RADIO SALES • Box 1105 • Lima, Ohio 45802

MARKET CENTER

DOUBLE BALANCED MIXER used as mixer, detector, modulator, attenuator. Also sources, amplifiers, your needs. EDDA, P. O. Box 373, Milpitas, California

ELECTRONIC BARGAIN CATALOG on unusual kits, parts, do-it-yourself, stereo, intercoms. ALCON, P. O. Box 1348R, Lawrence, Mass. 01843

Discharge IGNITION, PHOTOFLASH. Free catalog parts, kits. TRANSPARK, Carlisle, Mass. 01741

ELECTRONIC IGNITION, C-D, \$28.95. Free brochure, S.C.I., P. O. Box 27, Boston, Mass. 02131

MAKE YOUR OWN attractive hand calibrated dial scales. Valuable instructions. New ideas. Everyone in electronics should have this booklet. #EL-1 only \$1.25. ALLEN ENTERPRISES, Dept. R, 157 Viking Drive, Battle Creek, Michigan 49017

PROXIMITY SWITCH. Detects nearness of human body! Free information. ZONAR, 860 Reed, Claremont North, Calif. 91711

FIND BURIED TREASURE with most popular transistorized metal detector in the country. Treasure Probe available as kit (\$14.88), assembled (\$18.88), with powerful built-in speaker (\$24.88). Schematic, parts list, and step by step instructions, \$1.00. Ten day money back guarantee. Free catalog available. TREASURE PROBE, Dept. (RGA), P.O. Box 64, Lakewood, New Jersey 08710

SEMICONDUCTOR AND PARTS CATALOG over 100 pages free to Canadians. U.S. 50¢. J & J ELECTRONICS, Box 1437, Winnipeg, Manitoba, Canada

CONVERT any television to sensitive Big-Screen Oscilloscope. Only minor changes required. No electronic experience necessary. Illustrated plans \$2.00. RELCO-A25, Box 10563, Houston, Texas 77018

INTEGRATED CIRCUIT KITS: Computer, Audio, others. New catalog free. KAYE ENGINEERING, Box 3932-D, Long Beach, California 90803

EDUCATION/ INSTRUCTION

FCC First Class License in six weeks—nation's highest success rate—approved for Veterans Training. Write ELKINS INSTITUTE, 2603E Inwood Road, Dallas, Texas 75235

COMPUTER PROGRAMMING—the big opportunity career—new recognized correspondence course. No maths needed. Free brochure. CANADIAN INSTITUTE OF SCIENCE AND TECHNOLOGY, V63 Adelaide St. W., Toronto.

GOVERNMENT SURPLUS

JEEPS Typically From \$53.90 . . . Trucks From \$78.40 . . . Boats, Typewriters, Airplanes, Multimeters, Oscilloscopes, Transceivers, Electronics Equipment. Used. 100,000 Bid Bargains Direct From Government Nationwide. Complete Sales Directory and Surplus Catalog \$1.00 (Deductible First \$10.00 Order). SURPLUS SERVICE, Box 820-REL, Holland, Michigan 49423

INVENTIONS & PATENTS

FREE "Directory of 500 Corporations Seeking New Products." For information regarding developments, sale, licensing of your patented/unpatented invention. Write: RAYMOND LEE ORGANIZATION, 230-U Park Avenue, New York City 10017.

AC POWER FROM YOUR CAR OR BOAT BATTERY

Standard home electricity (60 cycle, 117 volts) for small appliances, record players, tape recorders, tools, etc. Inverters from 25 to 600 watts, priced as low as \$15.95.



See your Electronics Parts Dealer, or write

terado CORPORATION
1053 Raymond Ave., St. Paul, Minn. 55108

\$100,000 "EYE SEE" BONANZA BY POLY PAK INTEGRATED CIRCUITS!

PENNY SALE!

By far the biggest Integrated Circuit Sale in our history. NOBODY! That's right NOBODY under-sells Poly Paks. Imagine—buy 1 Integrated Circuit at our bargain price and get the 2nd one for ONLY 1c . . . that's right ONE CENT! NO LIMIT PER ITEM! Every item guaranteed as advertised. All include data on Integrated Circuits, schematics, and or hookups, and as much as 40 circuits. THIS OFFER IS LIMITED!

Fairchild No.	EACH	1c MORE
<input type="checkbox"/> 900	Buffer 1 for 1.49	2 for 1.50
<input type="checkbox"/> 902	R-S Flip Flop 1 for 1.49	2 for 1.50
<input type="checkbox"/> 903	3 In. Gate Nand/Nor 1 for 1.49	2 for 1.50
<input type="checkbox"/> 903-903*	3 Input gate Nand/Nor 1 for 1.49	2 for 1.50
<input type="checkbox"/> 904-904*	Half adder 1 for 1.49	2 for 1.50
<input type="checkbox"/> 910	Dual Two Input Gate 1 for 1.29	2 for 1.30
<input type="checkbox"/> 914-914*	Dual Two Input Gate 1 for 1.49	2 for 1.50
<input type="checkbox"/> 915	Dual 3 Input Gate Nand/Nor 1 for 1.49	2 for 1.50
<input type="checkbox"/> 923	JK-Flip Flop 1 for 1.49	2 for 1.50
<input type="checkbox"/> 923-923*	JK Flip Flop 1 for 1.69	2 for 1.70
<input type="checkbox"/> 925	Dual 2 Input Gate, Expander 1 for 1.49	2 for 1.50
<input type="checkbox"/> 927	Quad Inverter 1 for 1.49	2 for 1.50
<input type="checkbox"/> 930	Dual 4 Input Gate Nand/Nor 1 for 1.49	2 for 1.50
<input type="checkbox"/> 933	Dual Input Gate, Expander 1 for 1.49	2 for 1.50
<input type="checkbox"/> 944	Dual 4 Input Power Gate 1 for 1.49	2 for 1.50
<input type="checkbox"/> 945	Clocked Flip Flop 1 for 1.69	2 for 1.70
<input type="checkbox"/> 946	Quad 2 Input Gate Nand/Nor 1 for 1.49	2 for 1.50
<input type="checkbox"/> 948	Clocked Flip Flop 1 for 1.69	2 for 1.70
<input type="checkbox"/> 950	AC Binary 1 for 1.98	2 for 1.99
<input type="checkbox"/> 952	Dual 2 Pinout Inverter Gate 1 for 1.29	2 for 1.30
<input type="checkbox"/> 954	Dual 4 Input and Gate 1 for 1.29	2 for 1.30
<input type="checkbox"/> 955	8 Input and Gate w 2 output 1 for 1.29	2 for 1.30
<input type="checkbox"/> 956	Dual 2 Input Buffer 1 for 1.29	2 for 1.30
<input type="checkbox"/> 957	Dual Rank (hold) Flip Flop 1 for 1.98	2 for 1.99
<input type="checkbox"/> 961	Dual 4 Input Gate w/expander 1 for 1.49	2 for 1.50
<input type="checkbox"/> 962	Triple Gate 1 for 1.49	2 for 1.50
<input type="checkbox"/> 963	Triple Gate 1 for 1.49	2 for 1.50

* Two identical IC's in one package



1 AMP TOP HAT AND EPOXIES

PIV	Sale	PIV	Sale	PIV	Sale
50	5¢	800	19¢	1800	82¢
100	7¢	1000	29¢	2000	1.25
200	8¢	1200	42¢	3000	1.50
400	10¢	1400	55¢	4000	1.95
600	15¢	1600	69¢		

Actual Size →

PIV	Sale	PIV	Sale
50	5¢	600	19¢
100	7¢	800	21¢
200	8¢	1000	29¢
400	10¢		

'GLASS AMP' ONE AMP
PRV may be exceeded without the rectifier breaking down.

PIV	Sale	PIV	Sale
50	5¢	600	19¢
100	7¢	800	21¢
200	9¢	1000	32¢
400	12¢	1200	45¢

NE-2 NEON BULBS 20 for \$1

Terms: add postage. Rated: net 30. coil's 25%
Phone Orders: Wakefield, Mass. (617) 245-3829
Retail: 211 Albion, St., Wakefield, Mass.

GIANT 1969 CATALOG ON: Parts, Rectifiers 10¢
Transistors, SCRs, I.C.'s, Equipment, Etc.

POLY PAKS
P.O. BOX 942R
LYNNFIELD, MASS
01940

Buy 10 PAKS & CHOOSE 1 FREE

- 50 COILS AND CHOKES, if, rf, ant, osc, peaking, etc \$1
- 65 HALF WATTERS, to 1 meg, 5% popular values to \$1
- 60 HI-QUALITY RESISTORS, 1/2, 1, 2W asst values...\$1
- 10 RCA PHONO PLUGS & JACK SETS, tuners, etc...\$1
- \$25 SURPRISE PAK: transistors, rect, diodes, etc...\$1
- 2-PC INFRA-RED DETECTOR & FILTER SET science pro \$1
- 2 FIELD EFFECT TRANSISTORS, n channel, hobby...\$1
- 50 TERMINAL STRIPS, 1 to 8 lug types...\$1
- 3 PHOTO ELECTRIC CELLS, hi, imp., schematic...\$1
- 3 TRANSISTOR AMPLIFIER, WIRED, 3x2x3/4" schematic \$1
- 10 PRINTED CIRCUIT BOARDS, copper clad, 100 use \$1
- 10 TRANSISTOR SOCKETS, for npn & pnp types...\$1
- 10 PANEL SWITCHES, toggle, slide, micro, rotary \$1
- 40 CORNING "LOW NOISE" resistors, popular 5% \$1
- 40 "MICRO" RESISTORS, 1/10W, 5% Hobby mus \$1
- 50 GERMANIUM GLASS DIODES, 1N34, 1N48 no tes \$1
- 40 TOP HAT SILICON RECTIFIERS, no test asst value \$1
- 25 EPOXY RECTIFIERS, silicon asst, no test...\$1
- 40 PRECISION RESISTORS, 1/2-2W, 1% asst values...\$1
- 30 TRANSISTORS, rf, if, audio, osc, no test...\$1
- 60 TUBULAR CONDENSERS, to .5mf to 1KV, asst...\$1
- 50 DISC CONDENSERS, to .05mf npo, temp coef, asst \$1
- 60 TUBE SOCKETS, receptacles, plugs, audio, etc...\$1
- 30 POWER RESISTORS, to 25 watts, to 24K ohms...\$1
- 6 "IBM" COMPUTER BOARDS, many trans, diodes \$1
- 3 2N3563 TRANSISTORS, npn, 600mc, 100hfe, epoxy \$1
- 10 VOLUME CONTROLS, to 1 meg, switch too!...\$1
- 10 ELECTROLYTICS, to 100mf, tubulars too, asst...\$1
- 50 RADIO & TV KNOBS, asst colors & styles...\$1
- 10 TRANSFORMER ELECTROLYTICS to 100mf, asst values \$1
- 40 "MICRO" CONDENSERS, for transistor circuits \$1

Circle 137 on reader service card

CLASSIFIED COMMERCIAL RATE (for firms or individuals offering commercial products or services). 70¢ per word . . . minimum 10 words.

NON-COMMERCIAL RATE (for individuals who want to buy or sell personal items) 30¢ per word . . . no minimum.

Payment must accompany all ads except those placed by accredited advertising agencies. 10% discount on 12 consecutive insertions, if paid in advance. Misleading or objectionable ads not accepted. Copy for May issue must reach us before March 14.

WORD COUNT: Include name and address. Name of city (Des Moines), or state (New York) counts as one word each. Zone or Zip Code numbers not counted. (We reserve the right to omit Zip Code if space does not permit.) Count each abbreviation, initial, single figure or group of figures or letters as a word. Symbols or groups such as 8-10, COD, AC, etc., count as one word. Hyphenated words count as two words. Minor over-wordage will be edited to match advance payment.

INVENTIONS WANTED. Patented; Unpatented. GLOBAL MARKETING, 2420-AE 77th Ave., Oakland, Calif. 94605

WANTED

QUICK CASH . . . for Electronic EQUIPMENT, COMPONENTS, unused TUBES. Send list now! BARRY, 512 Broadway, New York, N. Y. 10012, 212 WALKER 5-7000.

NEW G&G CATALOG! MILITARY ELECTRONICS



24 PAGES crammed with Gov't Surplus Electronic Gear—the Biggest Bargain Buys in America! It will pay you to

SEND 25¢ for your copy—Refunded with your First Order!

BC-645 TRANSCEIVER, 15 tubes, 435 to 500 Mc. Easily adapted for 2 way voice or code on Ham, Mobile, Television Experimental and Citizens' bands. With tubes less power supply in factory. **\$16.95**
SPECIAL PACKAGE OFFER, IC-045 Transceiver, Dynamotor and all accessories, including mountings, UHF Antenna Assemblies, control box, complete, BRAND NEW **\$26.95**



AN/APR-4Y FM & AM RECEIVER "FB" FOR SATELLITE TRACKING!

High precision lab instrument, for monitoring and measuring frequency and relative signal strength, 38 to 4000 Mc. in 5 tuning ranges. For 110 v 60 cycle AC. Built-in power supply. Original circuit diagram included. Checked out, perfect. **\$88.50**
LIKE NEW
 All Tuning Units Available for Above

SCR-274-N, ARC-5, COMMAND SET HQ!

Freq. Range	Type	Exc. Used	Like New	BRAND NEW
RECEIVERS, Complete with Tubes				
190-550 Kc.	BC-453		\$18.95
3-6 Mc.	BC-454		\$21.50
6-9.1 Mc.	BC-455		\$14.95
1.5-3 Mc.	R-25		\$21.50
TRANSMITTERS, Complete with Tubes				
4-5.3 Mc.	BC-451		\$6.95
5.3-7 Mc.	BC-458		\$17.95
7-9.1 Mc.	BC-459		\$10.95
2-1.3 Mc.	T-16		\$10.50
2-4 Mc.	T-19		\$ 6.95

BC-906 FREQ. METER—SPECIAL

Cavity type 145 to 235Mc. Complete with antenna. Manual calibration charts included. **LIKE NEW, OUR LOW PRICE** **\$14.50**

TERMS: Either 25% Deposit with order, balance C.O.D. or Remittance in Full. Minimum Order \$5.00. All shipments F.O.B. our warehouse, NYC. All merchandise subject to prior sale and price change.

G & G RADIO SUPPLY COMPANY
 Telephone: (212) CO 7-4605
 75A Leonard St., New York, N. Y. 10013

INTEGRATED CIRCUITS / RECTIFIERS SEMICONDUCTORS / TRIACS

ER 900 TRIGGER DIODES These bidirectional trigger diodes are one of the best and cheapest methods of triggering SCR's and triacs. **3/\$1.00**

UNIUNIONS

Similar to 2N2419 Rbb of 5-7, stand off ratio of .6 and Ip of 12, with data sheet **\$1.50**

ZENERS

1 Watt 6.8-68V **\$.40**
 10 Watt 7-200V **\$.75**

MOUNTING HDWE KITS

These kits are used to mount our SCR's, zeners, & rectifiers etc.

6 x 32 (3 + 12 Amp rectifiers, 7 Amp SCR's) 6 sets/\$1.00
 1/4 x 28 (20 + 40 Amp rectifiers 20 Amp SCR's) 4 sets/\$1.00

PRV	AMP
100	.07
200	.09
400	.12
600	.18
800	.22
1000	.35

EPOXY AND CONTROLLED AVALANCHE RECTIFIERS
1 AMP

N-CHANNEL PLASTIC TO-18 FET'S. Low noise, low leakage, gate current, gain to 9000% mhos. **\$1.00**

IN2326 voltage & temperature compensating diodes 4/\$1.00

TRIACS

PRV	5A	10A
100	.90	1.20
200	1.40	1.75
300	1.75	2.25
400	2.25	2.75
500	2.60	3.25

CADMIUM SELENIDE PHOTO CONDUCTIVE CELLS. Dark resistance of 500 megohms, Sensitivity of 1.4.99 $\mu\text{a}/\text{ft}$ candle with data sheet **\$1.00**

HIGH-VOLTAGE NPN 150V VBCBO at 2.5A, hi gain in TO-66 pack **\$.75**

2N1163 a TO-3 PNP GERMANIUM TRANSISTOR rated at 35v and a gain of 50 at 25 amps. **\$1.75**

Silicon Power Rectifiers

PRV	3A	12A	40A
100	.09	.30	.75
200	.16	.50	1.25
400	.20	.70	1.50
600	.30	1.00	1.80
800	.40	1.25	
1000	.55	1.50	

9030 8 BIT MEMORIES **\$5.95**

LINEAR CIRCUITS

FM IF AMPLIFIERS \$.90
 702C WIDE BAND DC AMPL. \$2.75
 709C OPERATIONAL AMP. \$2.75
 710C HI SPEED DIFF. COMPARATOR \$2.75
 711C DUAL COMPARATOR \$2.75

DIGITAL RTL CIRCUITS

2-914 QUAD 2 INPUT GATE \$1.25
 900 BUFFER \$1.25
 925 DUAL 2 INPUT GATE EXPANDER \$1.25
 923 JK FLIP FLOP \$1.25

NEON LIGHT of NIXIE TUBE DRIVERS. An NPN, TO-18, Si Transistor with a V_{BE} of 120 **3/\$1.00**

Silicon Control Rectifiers TO-66 pack Studs

PRV	3A	7A	20A	70A
50	.35	.45	.70	
100	.50	.65	1.00	4.00
200	.70	.95	1.30	8.00
300	.90	1.25	1.70	
400	1.20	1.60	2.10	12.00
500	1.50	2.00	2.50	
600	1.80	2.40	3.00	16.00
700	2.20	2.80	5.00	

Send for our latest catalog featuring Transistors and Rectifiers; 325 Elm St., Cambridge, Mass.

SOLID STATE SALES

Post Office Box 74D

Somerville, Mass. 02143

Tel. (617) 547-0005

Circle 138 on reader service card

UNUSUAL BARGAINS BY MAIL

SHOPPING MART

A selection of products available by mail for readers of Radio Electronics.

All merchandise sold on a money-back guarantee. Order direct by Stock No. Send check or M.O.

GIANT FREE CATALOG 141 PAGES



SEE MUSIC IN DAZZLING ACTION

Music Vision DRAMATIC BREAKTHROUGH IN AUDIOVISUAL ENJOYMENT

See your favorite music translated into fantastically colorful patterns; each note creating its own unique, ever-changing image in perfect time with the music. Easily attached to stereo, radio, tape recorder. Send 25¢ in coin for 16-page booklet. **#906EHL**

No. 71,009EH 8" DO-IT-YOURSELF KIT \$22.50 Ppd.
 No. 71,030EH 8" SET \$45.00 Ppd.
 No. 85,181EH WALNUT CABINET MODEL . . . \$99.50 FOB



NEW LOW-COST GEM TUMBLER

Become a rockhound! Fascinating hobby—loads of fun, inexpensive, easy. Make jewelry of all kinds—decorative bookends, table tops, etc. Simply tumble-tumble readily available gemstones. Then polish to high luster—brings out beautiful colors. Rugged 3-lb. tumbler w/continuous duty motor compares to units selling for many times its price.
 Stock No. 70,874EH **\$10.75 Ppd.**
6-LB. ROCK ASSORTMENT (10 TYPES)
 Stock No. 70,868EH . . . \$ 9.00 Ppd.



PROJECTION KALEIDOSCOPE

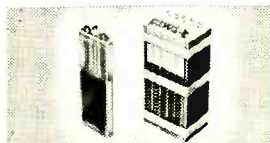
Infinite variety of brilliant color patterns which do not repeat. Specially designed 3" diam. liquid wheel, 2" projection lens and 8-lb. manual projector make it all possible. Easily operated. Large screen image at short projection distance perfect for backgrounds. Light shows, parties, dances, etc. Front or rear proj.
 Stock No. 71,121EH \$94.50 Ppd.
SOLID STATE PROJECTOR ACCESSORY WHEEL (3" Diam.)
 Stock No. 71,122EH \$15.00 Ppd.



3" ASTRONOMICAL TELESCOPE

See stars, moon, phases of Venus, planets close up. 60 to 180 power—famous ME Patom reflecting type. Aluminized & protected 3" diameter f/10 primary mirror, ventilated cell. Equipped with 40X eyepiece and mounted on sturdy scope, hardwood base. FREE: "STAR CHART" "HANDBOOK OF HEAVENS"—"HOW TO USE YOUR TELESCOPE"

Stock No. 85,050EH \$29.95 Ppd.
4 1/2" REFLECTOR TELESCOPE
 Stock No. 85,105EH \$84.50 Ppd.
6" REFLECTOR TELESCOPE
 Stock No. 85,086EH \$199.50 FOB



Ni-Cd BATTERY BARGAIN

Terrific value—slightly used gov't surplus. Lightweight 5 cell, 6 volt, 4 Amp-hour battery with almost unlimited life. Extremely high current output. Recharges in 1 hour with Edmund kit. Won't deteriorate when left discharged. Minimum maintenance—few drops of water per year. Rugged, shock-and-vibration resistant nylon case. Delivered partially charged, filled with electrolyte. 3 1/8" x 2 1/8" x 6 1/8" 2 lb.
 Stock No. 70,942EH (battery) \$15.00 Ppd.
 Stock No. 70,807EH (charger kit) \$ 8.00 Ppd.

GIANT FREE CATALOG

Edmund, 300 Edscoy Building, Barrington, New Jersey 08007

148 PAGES — 1000'S OF BARGAINS

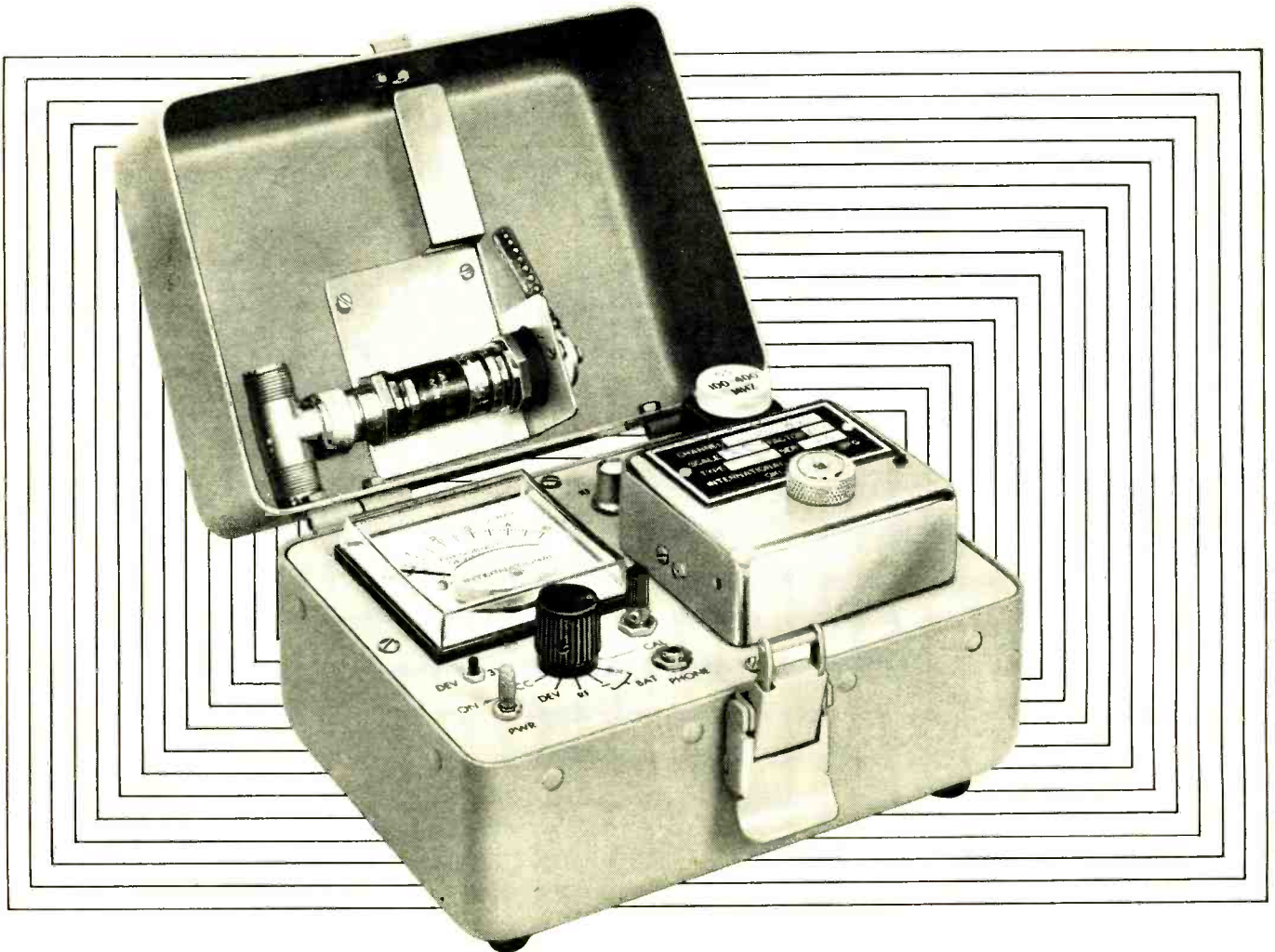
Completely new 1968 edition. Dozens of electrical and electromagnetics, accessories. Enormous selection of Astronomical Telescopes, Microscopes, Binoculars, Magnifiers, Magnets, Lenses, Prisms. Many war surplus items for hobbyists, experimenters, workshops, factory. Mail coupon for FREE catalog "24".

NAME.....
 ADDRESS.....
 CITY.....
 STATE..... ZIP.....

ORDER BY STOCK NUMBER • SEND CHECK OR MONEY ORDER • MONEY-BACK GUARANTEE
EDMUND SCIENTIFIC CO. 300 EDSCORP BUILDING
 BARRINGTON, NEW JERSEY 08007

Circle 139 on reader service card
 www.americanradiohistory.com

WHERE ACCURACY COUNTS!



INTERNATIONAL MODEL 6000 FREQUENCY METER

measures frequencies 10 khz to 600 mhz with accuracy as close as .000125%

The Model 6000 Modular Frequency Meter will measure frequencies 10 KHz to 600 MHz with .000125% accuracy. The wide variety of plug-in oscillator accessories and range modules makes the Model 6000 adaptable to a number of jobs in the field and in the laboratory. Portable, battery operated with rechargeable batteries.

Model 6000 with 601A charger, less plug-in modules.....\$195.00



RANGE MODULES (Mixers)
\$25.00 to \$45.00 each

OSCILLATOR MODULES
(Crystal Controlled For
Frequency Measurement)
\$30.00 to \$90.00 each

... For complete information
write International today.



CRYSTAL MFG. CO., INC.
10 NO. LEE • OKLA. CITY, OKLA. 73102

Circle 148 on reader service card

NOW! An outdoor antenna you don't have to mount on the roof

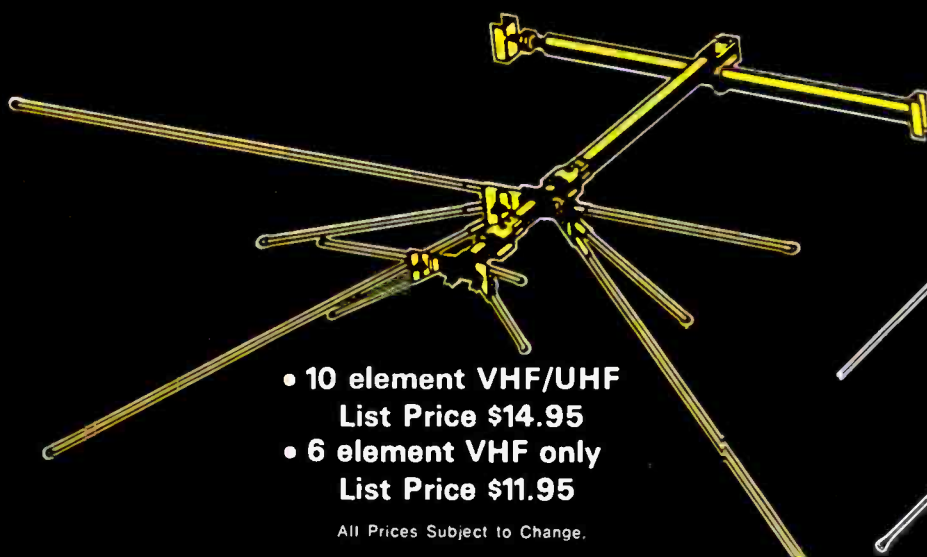
All channel color TV WINDOW ANTENNA outperforms any indoor antenna!

Here's the ideal antenna for apartment buildings and homes . . . where rooftop mounting is impractical. Window mounting gives you an outdoor antenna for improved TV reception. Unique swivel design lets you aim for VHF and UHF stations independently.

- All aluminum construction with gold corodized corrosion-proof finish.
- Mounting bar fits horizontally or vertically in any type window up to 42" wide or high.
- Extension bars available for larger size windows.

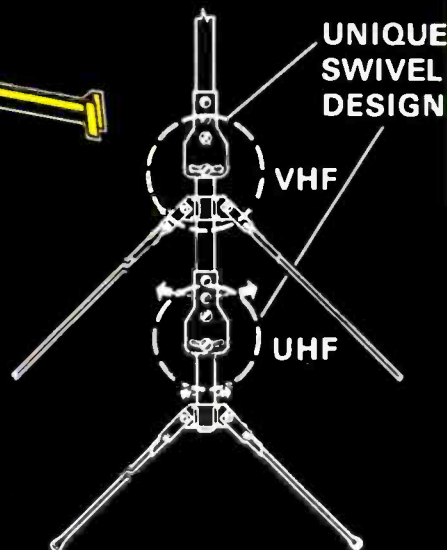


FINCO



- 10 element VHF/UHF
List Price \$14.95
- 6 element VHF only
List Price \$11.95

All Prices Subject to Change.



By the makers of the famous FINCO Color Spectrum Antennas "signal customized" for better color reception.
T.M.



THE FINNEY COMPANY

34 West Interstate Street, Dept.
Bedford, Ohio 44146

Mail coupon for free brochure.

Name _____

Address _____

City _____ State _____ Zip _____

Circle 149 on reader service card

www.americanradiohistory.com

RCA HI-LITE respects and protects ...a well-earned service reputation

A good service reputation takes time to come by. It's put together call by call, customer by customer, day after day. So why shouldn't you expect the color picture tubes you rely on every day in your business to have earned a good reputation for themselves, too.

That's what you get when you specify RCA HI-LITE. It's the replacement picture tube with OEM specs . . . the same quality . . . the same tube that goes into original equipment sets. With all-new glass, gun, the works! And such technical advancements as PERMA-CHROME and Unity Current Ratios. Plus the broadest line of types in the industry.

Insist on HI-LITE, the picture tube that respects and protects your service reputation.

RCA Electronic Components, Harrison, N. J.



RCA